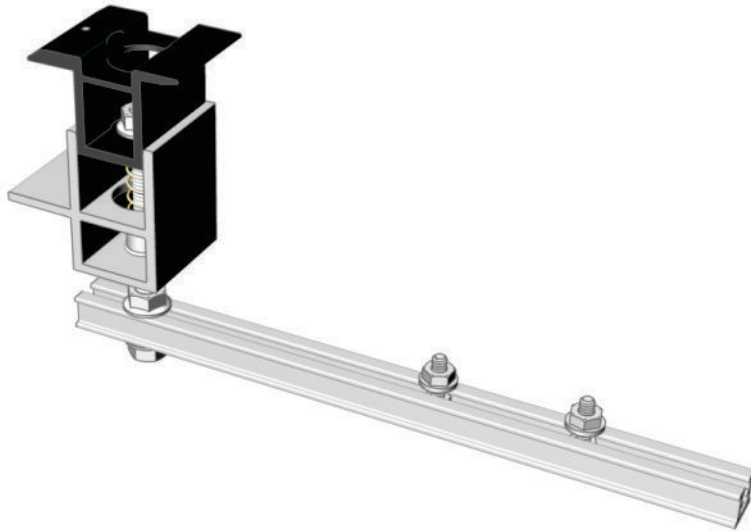
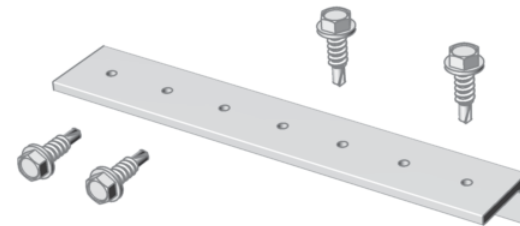




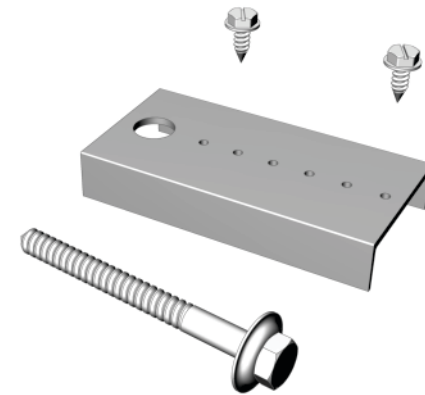
Installation Guide Addendum - Conduit Mounts



Module Conduit Mount



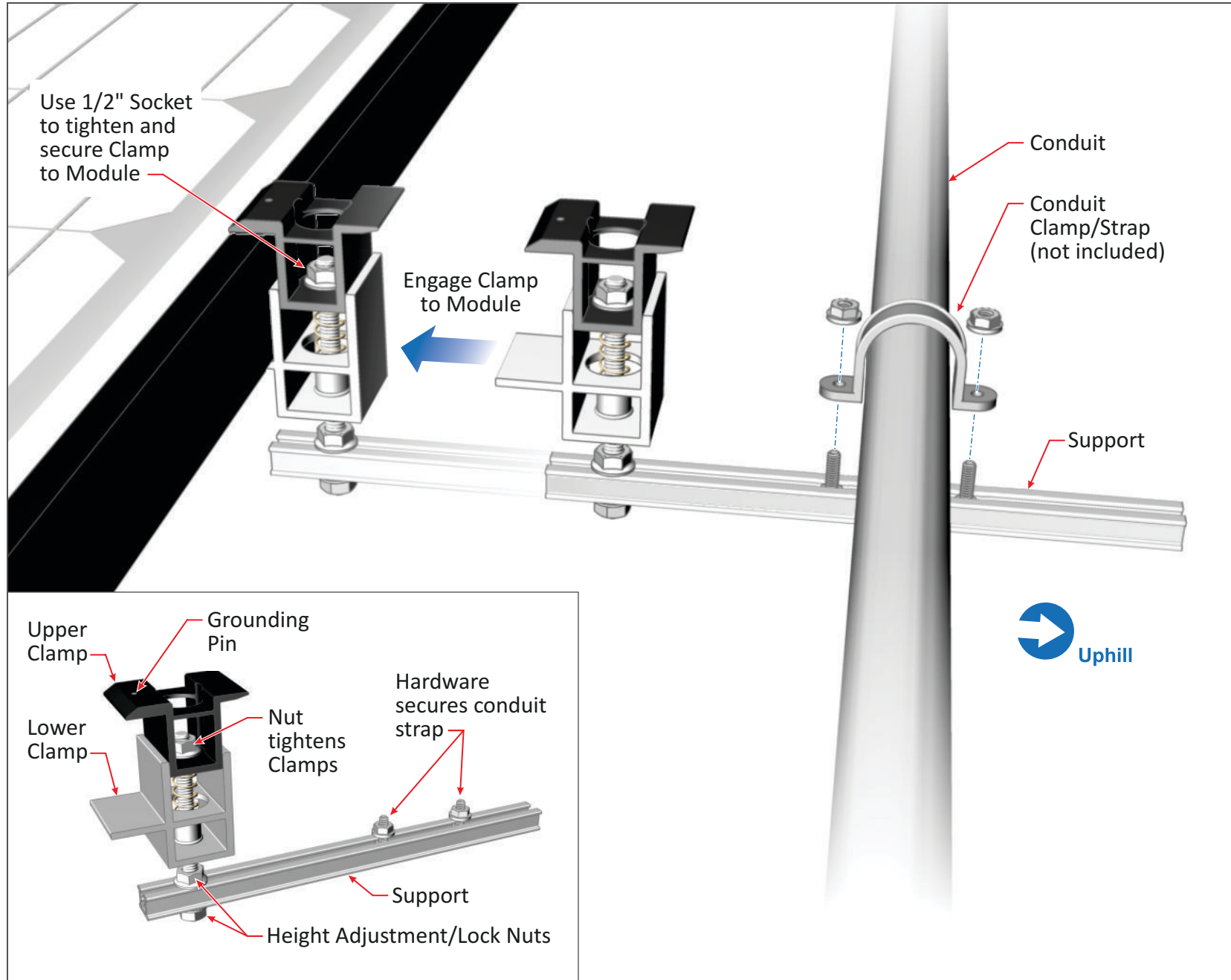
Base Conduit Mount



Flashed Conduit Mount



Module Conduit Mount

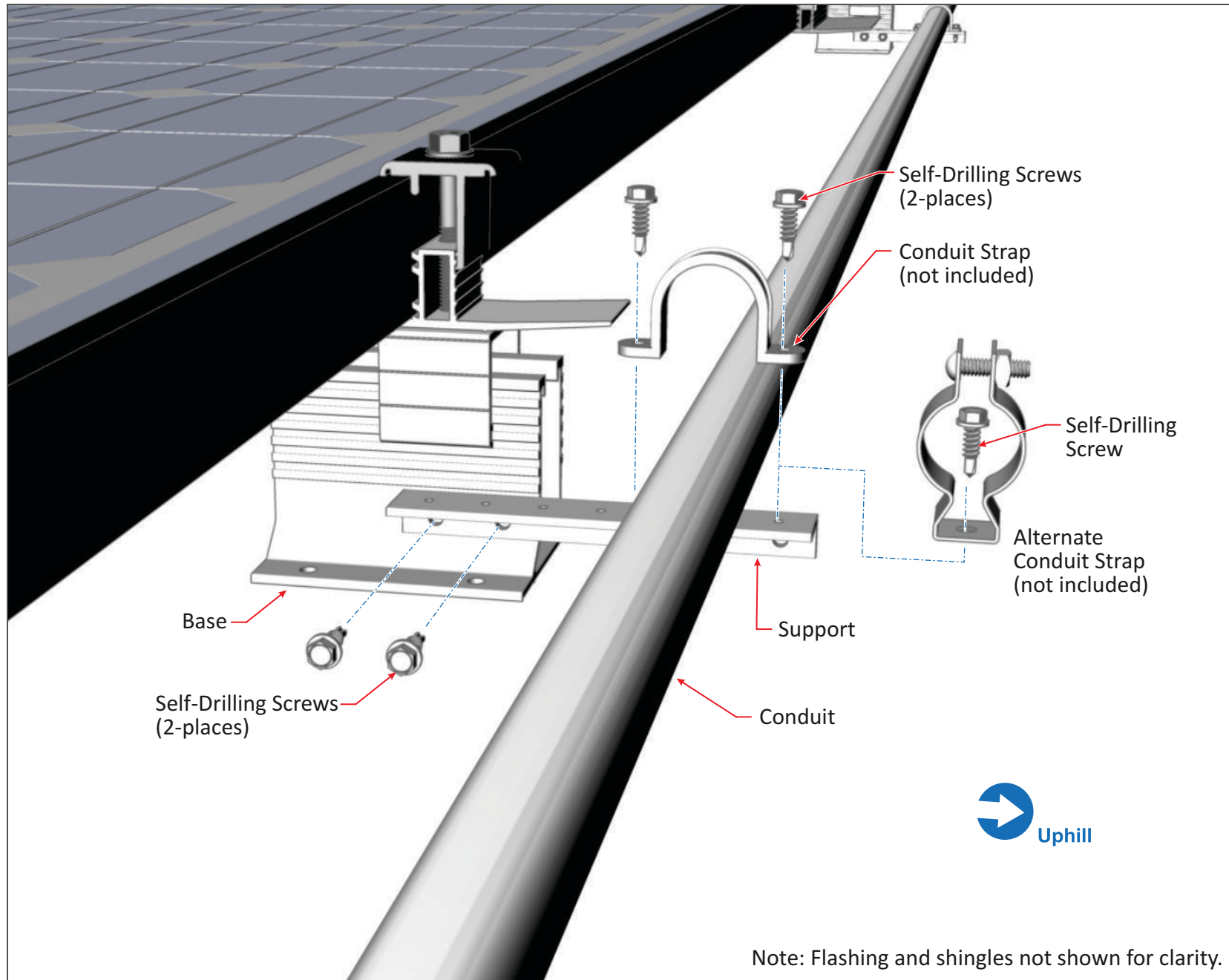


Module Conduit Mounts are used on the uphill edge of the array only, they cannot be used within an array. Two Module Conduit Mounts can be used to install a junction box to the module frame.

! Ensure that Mounts are installed at intervals that comply with the NEC and local jurisdictional requirements.

- 1. Install Module Conduit Mount:**
As shown, hold the Clamp to the Module frame and tighten the Nut with a 1/2" socket.
- Note: As needed, adjust the Support height via the Height Adjustment /Lock Nuts.
- 2. Install Conduit Clamp/Strap:**
Using a third party clamp/strap and 3/8" socket, secure the Conduit to the Support.

Base Conduit Mount



! Ensure that Mounts are installed at intervals that comply with the NEC and local jurisdictional requirements.

1. Install Base Conduit Mount:

As shown, attach the Base Conduit Mount to the Base using the two Self-Drilling screws provided. Using a 5/16" driver, drive the two Self-Drilling Screws (provided) into the Base, securing the Support to the Base.

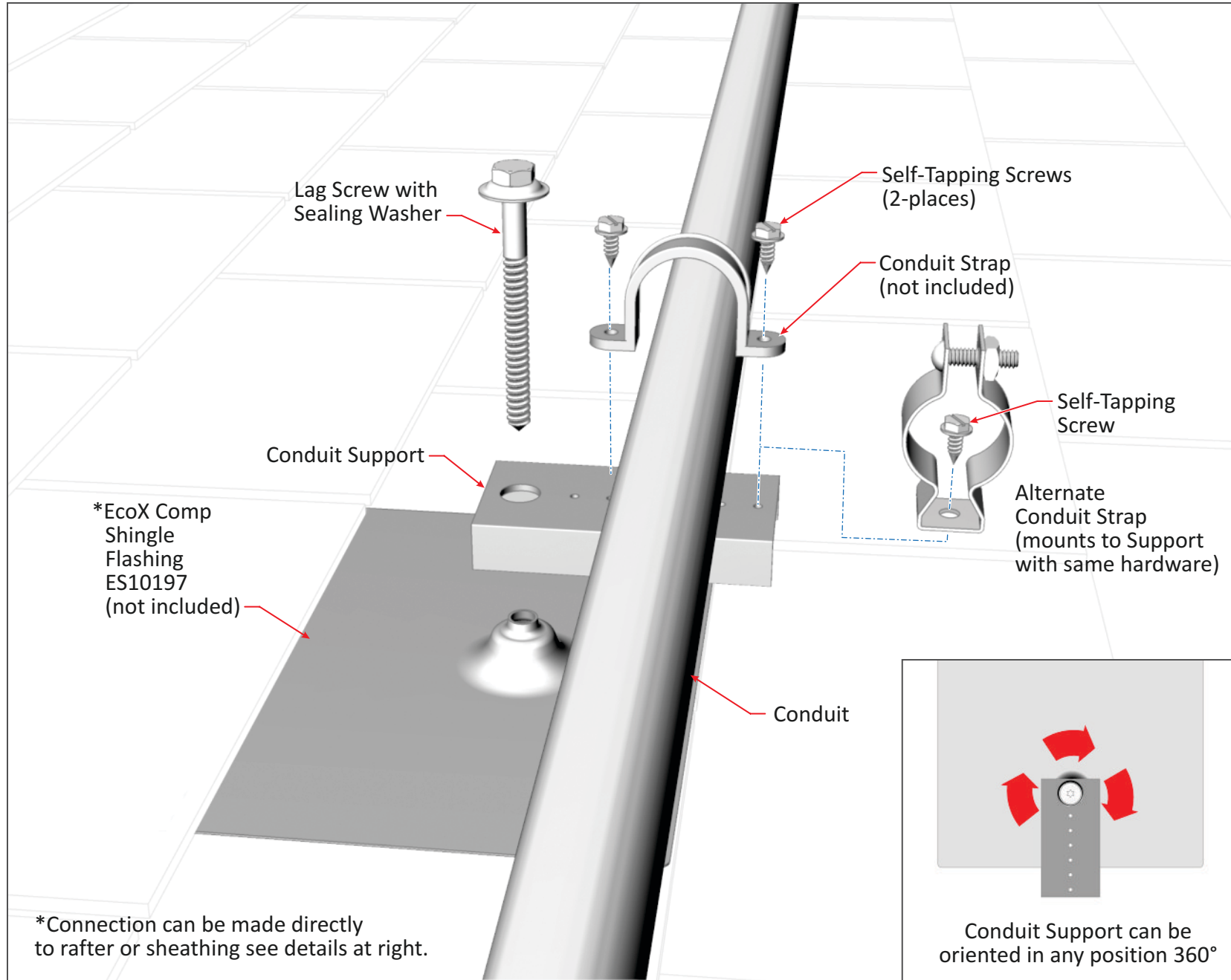
2. Install Conduit Clamp/Strap:

Using a third party clamp/strap, the Self-Drilling Screws (provided) and a 5/16" driver, drive the Screw(s) into the Support, securing the clamp/strap and conduit to the Support.



Note: Flashing and shingles not shown for clarity.

Flashed Conduit Mount



⚠ Ensure that Supports are installed at intervals that comply with the NEC and local jurisdictional requirements.

i Connection Types

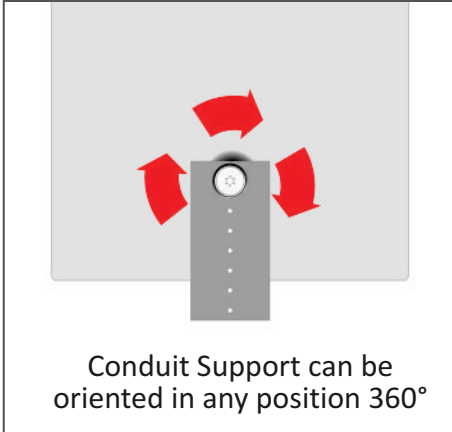
Rafter Connection: Recommended for areas with snow loads >20 and for pitches >22.5 (5/12).

Plywood Sheathing Connection: Suitable where rafter connection is not recommended.

OSB Sheathing Connection: Do not exceed 36" spans.

- 1. Install Flashed Conduit Mount:** As shown, place the Conduit Support onto Flashing. Drill a 3/16" pilot hole into roof surface and secure with Lag Screw provided.
- 2. Install Conduit Clamp/Strap:** Using a third party clamp/strap, the Self-Tapping Screws provided, and a 5/16" driver, drive the Screw(s) into the Support, securing the clamp/strap and conduit to the Support.

Note: Steps 1 and 2 can be done in any order.



*Connection can be made directly to rafter or sheathing see details at right.