

# UID845 I/I0 wireless switch, dim

## Installation instructions

Instructions de montage

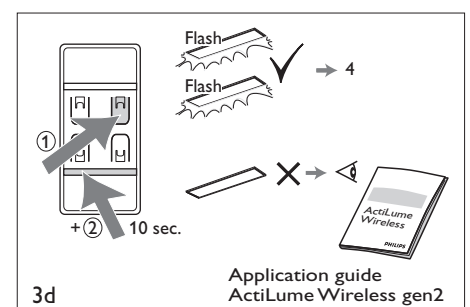
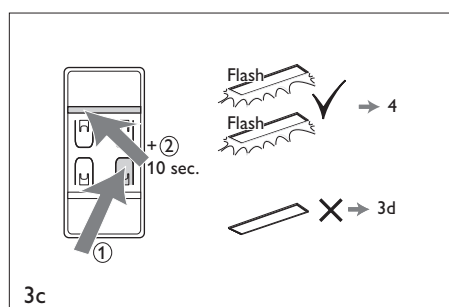
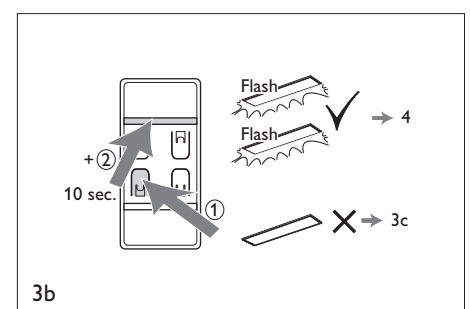
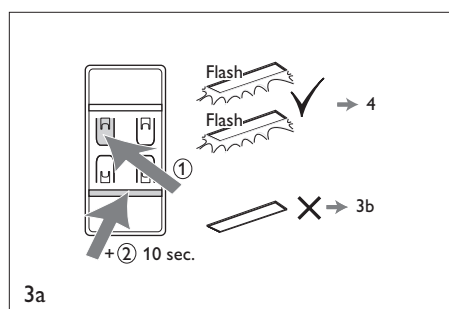
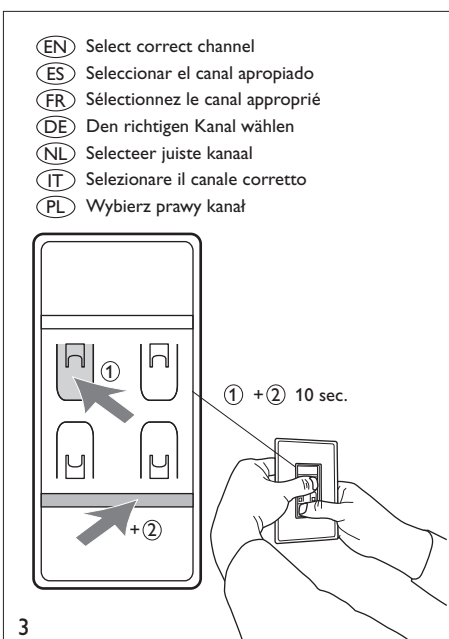
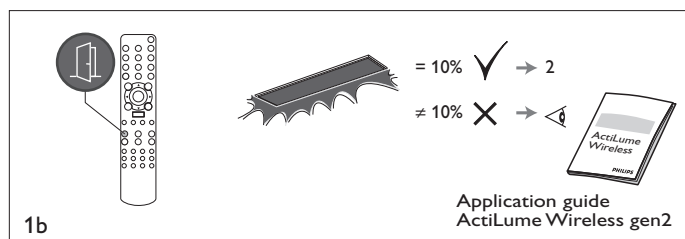
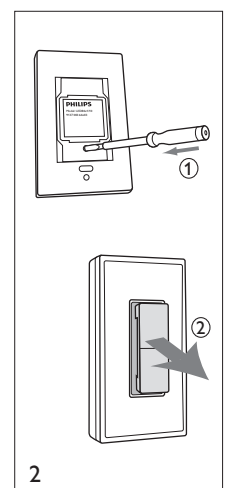
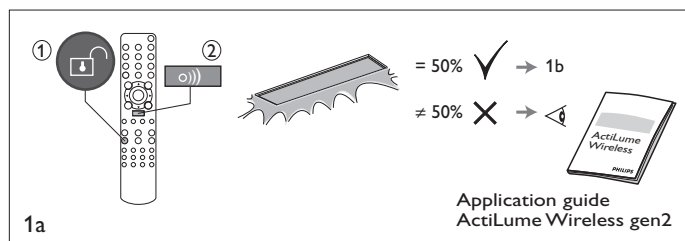
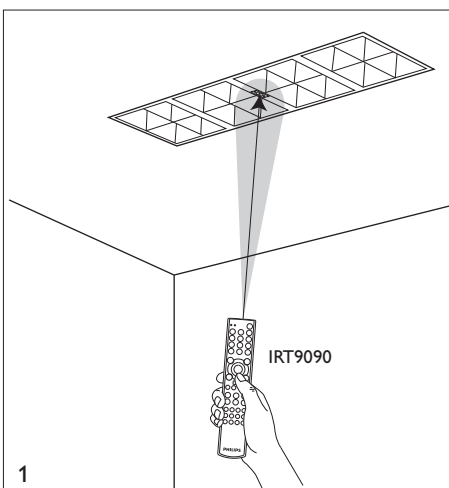
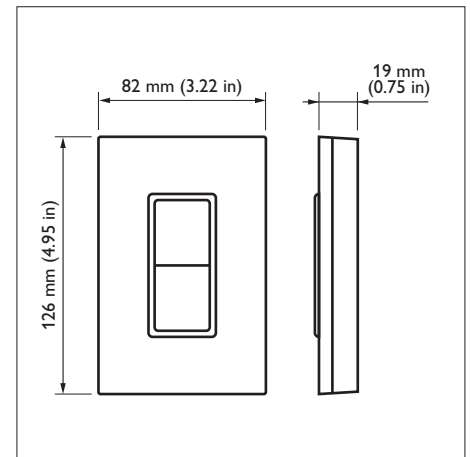
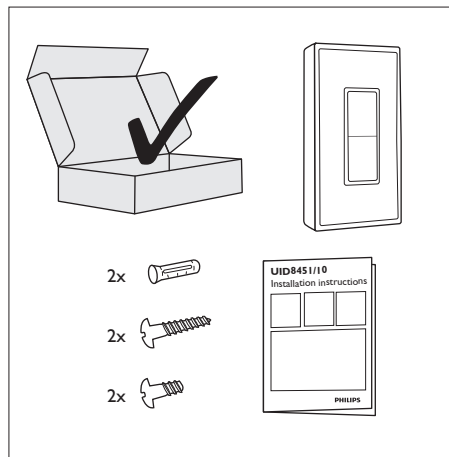
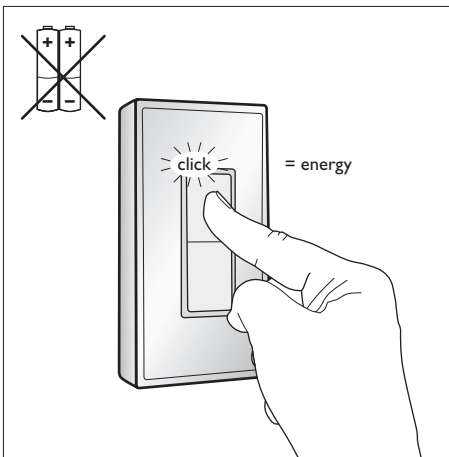
Montageanleitung

Montage instructie

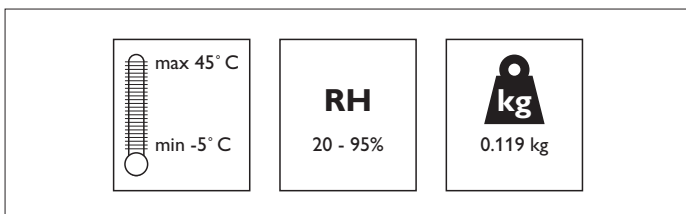
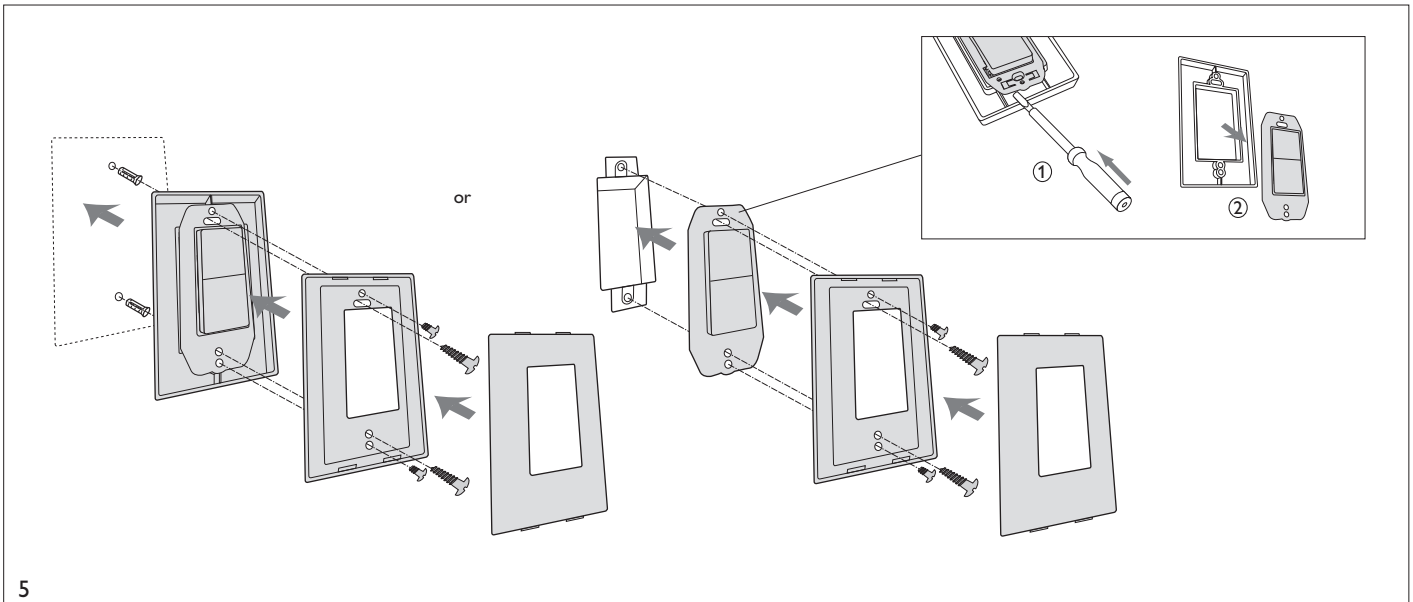
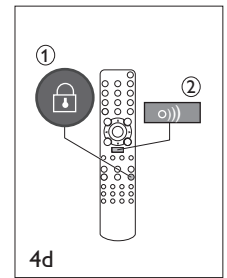
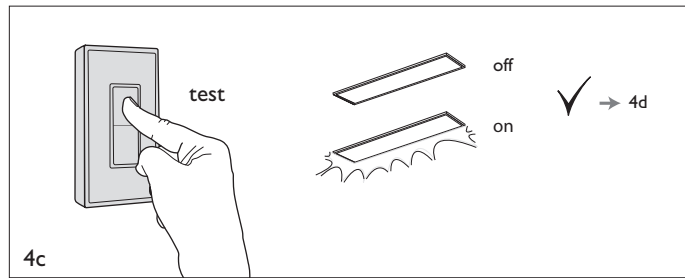
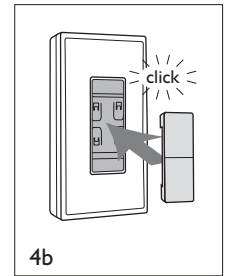
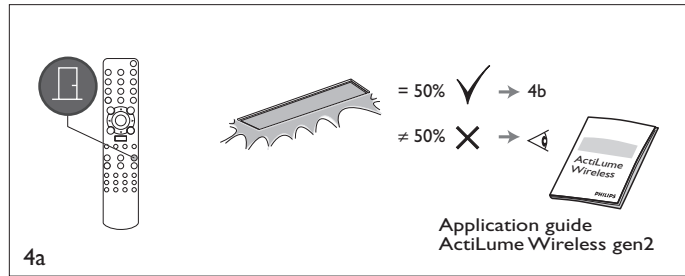
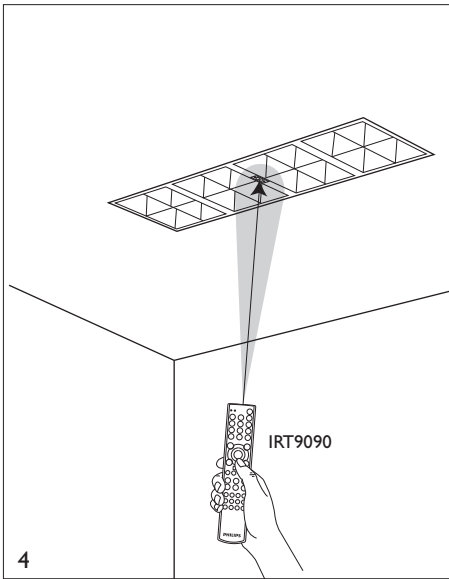
Istruzioni di montaggio

Instrukcje instalacji

Instrucciones de montaje



# PHILIPS



Product contains transmitter module with  
 FCC ID: SZV-PTM215Z; IC: 5713A-PTM215Z

© 2014 Koninklijke Philips N.V. All rights reserved.  
 Specifications are subject to change without notice.  
 Trademarks are the property of Koninklijke Philips N.V.  
 (Royal Philips) or their respective owners.  
 (USA) Customer care: Please refer to the contact  
 number printed on the specification sheet of the  
 purchased luminaire.  
 4422 107 02442, 2014-12-15 www.philips.com

