

**READ AND FOLLOW ALL SAFETY INSTRUCTIONS!
SAVE THESE INSTRUCTIONS AND DELIVER TO OWNER AFTER INSTALLATION**

- To reduce the risk of death, personal injury or property damage from fire, electric shock, falling parts, cuts/abrasions, and other hazards please read all warnings and instructions included with and on the fixture box and all fixture labels.
- Before installing, servicing, or performing routine maintenance upon this equipment, follow these general precautions.
- Installation and service of luminaires should be performed by a **qualified licensed electrician**.
- Maintenance of the luminaires should be performed by person(s) familiar with the luminaires' construction and operation and any hazards involved. Regular fixture maintenance programs are recommended.
- It will occasionally be necessary to clean the outside of the refractor/lens. Frequency of cleaning will depend on ambient dirt level and minimum light output which is acceptable to user. Refractor/lens should be washed in a solution of warm water and any mild, non-abrasive household detergent, rinsed with clean water and wiped dry. Should optical assembly become dirty on the inside, wipe refractor/lens and clean in above manner, replacing damaged gaskets as necessary.
- **DO NOT INSTALL DAMAGED PRODUCT!** This luminaire has been properly packed so that no parts should have been damaged during transit. Inspect to confirm. Any part damaged or broken during or after assembly should be replaced.
- Recycle: For information on how to recycle LED electronic products, please visit www.epa.gov.
- These instructions do not purport to cover all details or variations in equipment nor to provide every possible contingency to meet in connection with installation, operation, or maintenance. Should further information be desired or should particular problems arise which are not covered sufficiently for the purchaser's or owner's purposes, this matter should be referred to Acuity Brands Lighting, Inc.



**WARNING
RISK OF ELECTRIC SHOCK**

- ✓ Disconnect or turn off power before installation or servicing.
- ✓ Verify that supply voltage is correct by comparing it with the luminaire label information.
- ✓ Make all electrical and grounded connections in accordance with the National Electrical Code (NEC) and any applicable local code requirements.
- ✓ All wiring connections should be capped with UL approved recognized wire connectors.



**WARNING
RISK OF BURN**

- ✓ Allow lamp/fixture to cool before handling. Do not touch enclosure or light source.
- ✓ Do not exceed maximum wattage marked on luminaire label.
- ✓ Follow all manufacturer's warnings, recommendations and restrictions for: driver type, burning position, mounting locations/methods, replacement and recycling.



**CAUTION
RISK OF INJURY**

- ✓ Wear gloves and safety glasses at all times when removing luminaire from carton, installing, servicing or performing maintenance.
- ✓ Avoid direct eye exposure to the light source while it is on.



**CAUTION
RISK OF FIRE**

- ✓ Keep combustible and other materials that can burn, away from lamp/lens.
- ✓ Do not operate in close proximity to persons, combustible materials or substances affected by heat or drying.



CAUTION: RISK OF PRODUCT DAMAGE

- ✓ Never connect components under load.
- ✓ Do not mount or support these fixtures in a manner that can cut the outer jacket or damage wire insulation.
- ✓ Unless individual product specifications deem otherwise: Never connect an LED product directly to a dimmer packs, occupancy sensors, timing devices, or other related control devices. LED fixtures must be powered directly off a switched circuit.
- ✓ Unless individual product specifications deem otherwise: Do not restrict fixture ventilation. Allow for some volume of airspace around fixture. Avoid covering LED fixtures with insulation, foam, or other material that will prevent convection or conduction cooling.
- ✓ Unless individual product specifications deem otherwise: Do not exceed fixtures maximum ambient temperature.
- ✓ Only use fixture in its intended location.
- ✓ LED products are Polarity Sensitive. Ensure proper Polarity before installation.
- ✓ Electrostatic Discharge (ESD): ESD can damage LED fixtures. Personal grounding equipment must be worn during all installation or servicing of the unit.
- ✓ Do not touch individual electrical components as this can cause ESD, shorten lamp life, or alter performance.
- ✓ Some components inside the fixture may not be serviceable. In the unlikely event your unit may require service, stop using the unit immediately and contact an ABL representative for assistance.
- ✓ Always read the fixtures complete installation instructions prior to installation for any additional fixture specific warnings.

Please see product specific installation instructions for additional warnings or any applicable FCC or other regulatory statements.

Failure to follow any of these instructions could void product warranties. For a complete listing of product Terms and Conditions, please visit www.acuitybrands.com.

Our Brands	Indoor/Outdoor	Indoor Lighting	Outdoor Lighting	Controls	Daylighting
	Lithonia Lighting	Gotham	American Electric Lighting	DARK TO LIGHT	SunOptics
	Carandini	Mark Architectural Lighting	Antique Street Lamps	LC&D	
	Holophane	Peerless	Hydrel	ROAM	
	RELOC	Renaissance Lighting	Tersen	Sensor Switch	
	Light Concepts	Winona Lighting		Synergy	

Acuity Brands Lighting, Inc. assumes no responsibility for claims arising out of improper or careless installation or handling of its products.

ABL LED General Warnings, Form No. 503.203

© 2010 Acuity Brands Lighting, Inc. All rights reserved. 12/01/10

THIS PRODUCT MUST BE INSTALLED BY A PERSON FAMILIAR WITH THE CONSTRUCTION AND OPERATION OF THE PRODUCT AND THE HAZARDS INVOLVED, IN ACCORDANCE WITH THE APPLICABLE INSTALLATION CODE

CE PRODUIT DOIT ÊTRE INSTALLÉ PAR UNE PERSONNE FAMILIÈRE AVEC LA CONSTRUCTION ET L'EXPLOITATION DU PRODUIT ET LES RISQUES QU'IL ENTRAÎNE, CONFORMÉMENT AU CODE D'INSTALLATION EN VIGUEUR

Installation Instructions

****Caution: MAKE SURE LUMINAIRE IS MOUNTED TO A SECURE STRUCTURE. USE APPROPRIATE MOUNTING HARDWARE TO INSTALL FIXTURE RATED FOR YOUR APPLICATION. FAILURE TO MOUNT FIXTURE CORRECTLY COULD RESULT IN SERIOUS INJURY.**

ABOVE CEILING ACCESS REQUIRED

KEEP THESE INSTALLATION INSTRUCTIONS / CONSERVEZ CES INSTRUCTIONS D'INSTALLATION

1. Bend the built in T-Bar clips to secure the fixture to the T-Bar ceiling, or use hanger wire hole (see *Figure 1*)
If using LATC clips, attach the LATC clips using the provided screws after the fixture is placed in the grid (see *Figure 2*).
2. Place the fixture in the appropriate T-Bar ceiling structure.
3. Remove access plate and make electrical connections from supply and properly ground as local codes dictate.
4. Reinstall access plate.

BEND OUT HOOK 90 DEG. TO ENGAGE T-BAR ALL (4) CORNERS

HANGER WIRE ATTACH POINT

STANDARD 1 1/2" T-BAR

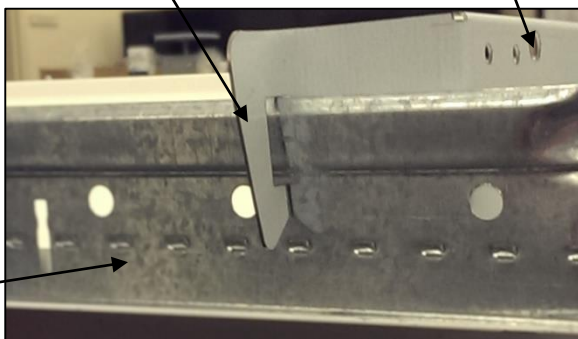


Figure 1: Built In T-Bar Clip

HANGER WIRE ATTACH POINT

ONCE FIXTURE IS IN GRID, ATTACH LATC CLIPS (4) USING PROVIDED SCREWS

STANDARD 1 1/2" T-BAR

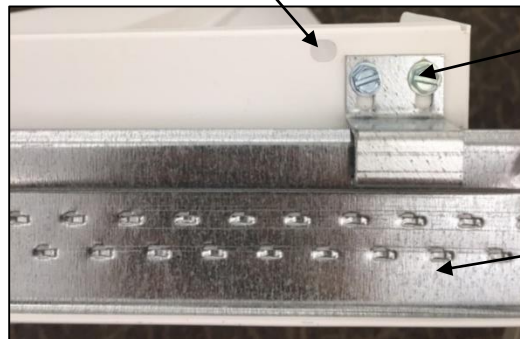
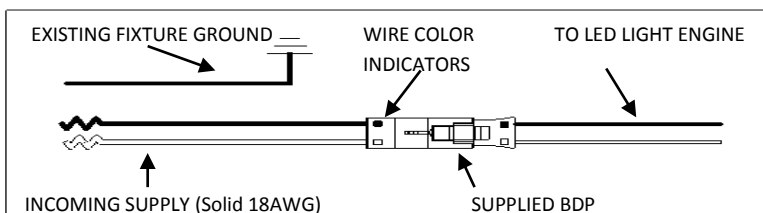
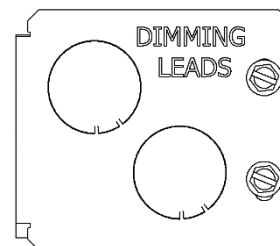


Figure 2: LATC Installation (ORDERABLE OPTION)

WIRING DIAGRAM



DIMMING LEADS ARE LOCATED BEHIND THIS ACCESS PLATE FOR LUMINAIRES WITHOUT CONTROLS

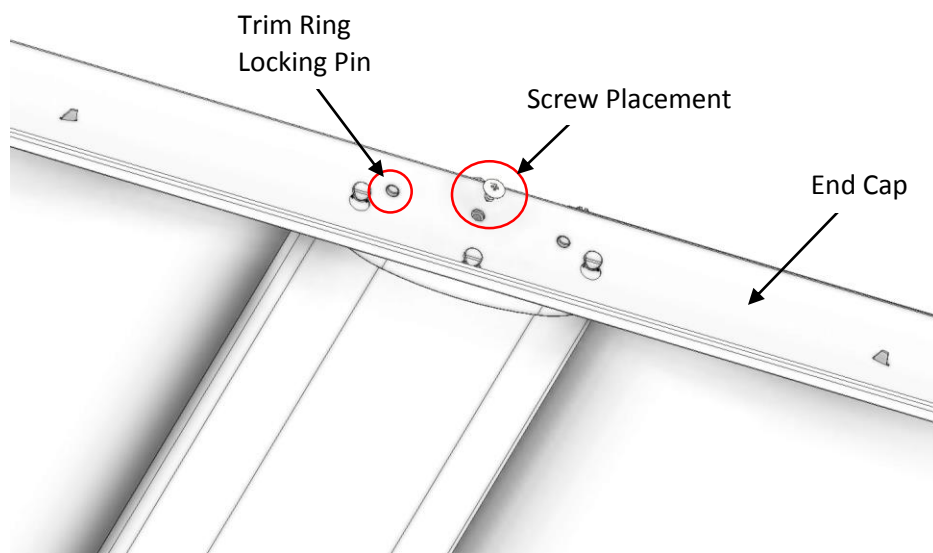


Diffuser

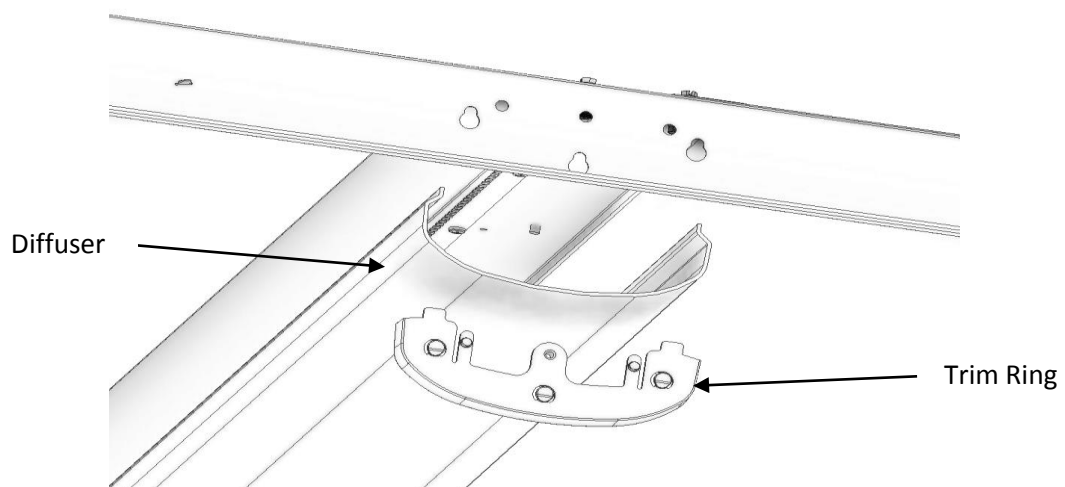
- Cleaning of the outside of the diffuser can be done with a soft cloth and water. The diffuser does not need to be removed for cleaning.
- The diffuser does not require removal during normal operation. However, if maintenance of LED's is required, the diffuser is removable.
- Luminaires with IP5X nomenclature, it is recommended that diffuser should not be removed. Any cleaning should be done only outside the diffuser.

Diffuser Removal

1. Locate screw on the end cap of the fixture.



2. Remove screw and push trim ring locking pins in and towards the diffuser. Carefully pull trim ring down and away from the diffuser while holding the diffuser in place.

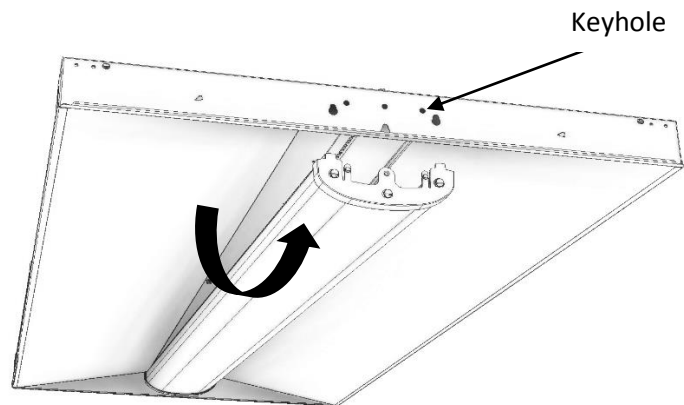


3. Grasp the side of the diffuser where the trim ring has been removed and angle away from fixture and pull out.

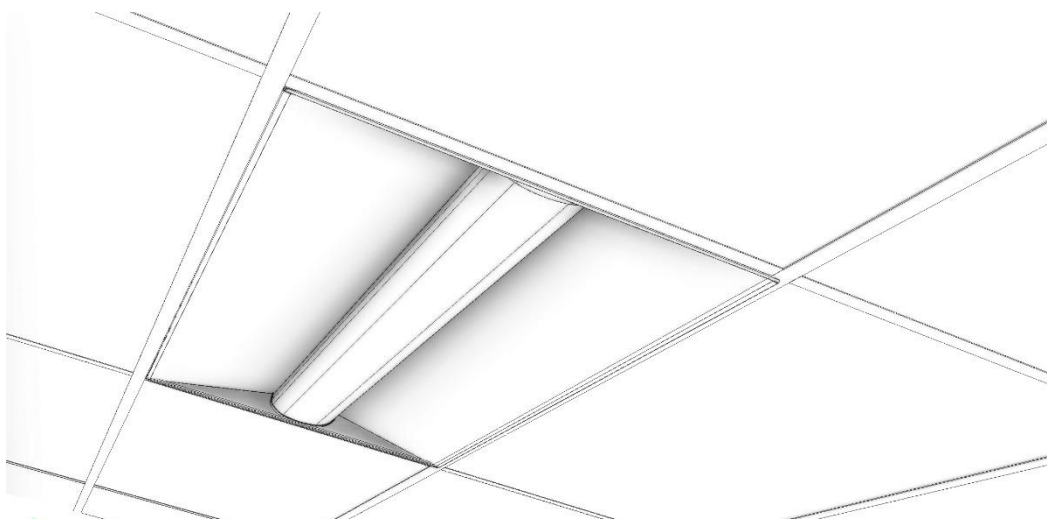
NOTE: The other trim ring can remain installed for any necessary maintenance.

Diffuser Installation

1. To re-install the diffuser after maintenance, slide diffuser into trim ring that remained in the fixture.
2. Place the second trim ring on the end of the diffuser and lever up into assembly.



3. Push trim ring against end cap and align keyholes. Push upwards until you hear a snap. Replace the locking screw into the end cap.



SAVE THESE INSTRUCTIONS