

SAVE THESE INSTRUCTIONS!

READ CAREFULLY AND FOLLOW ALL INSTRUCTIONS FOR YOUR OWN SAFETY

- **DISCONNECT AC POWER SUPPLY BEFORE SERVICING.**
- Installation and servicing of this equipment should be performed by qualified service personnel only.
- Ensure the electricity connections conform to the National Electrical Code and local regulations if applicable.
- Do not mount near gas or electrical heaters.
- Equipment should be mounted in locations and at heights where it will not readily be subjected to tampering by unauthorized personnel.
- The use of accessory equipment not recommended by the manufacturer may cause an unsafe condition. Any modification or use of non-original components will void the warranty and product liability.
- Do not use this equipment for other than intended use.

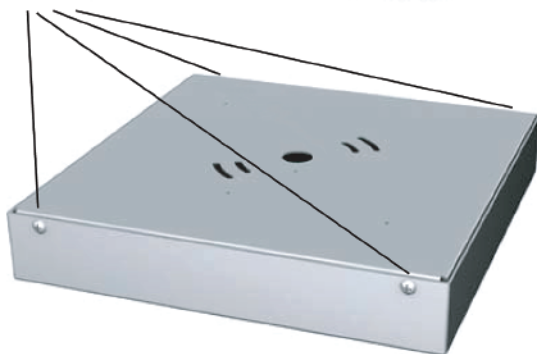


INSTALLATION INSTRUCTIONS

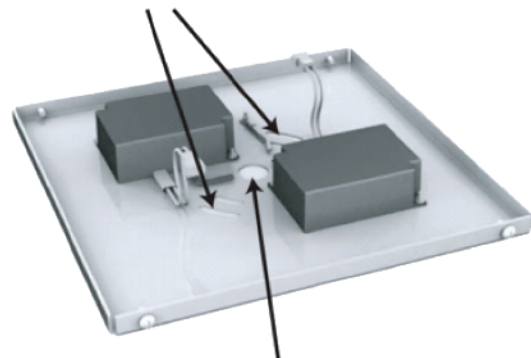
The LED Canopy light is designed to be mounted to a recessed J-box on ceiling wall or can be pendant mounted using optional pendant mount adapter. Please consult with your lighting designer to obtain the optimum installation location.

Note: The TLED-C is not designed to be wired using surface mounted conduit.

1: Remove 4 cover plate screws and disconnect LED driver connectors.

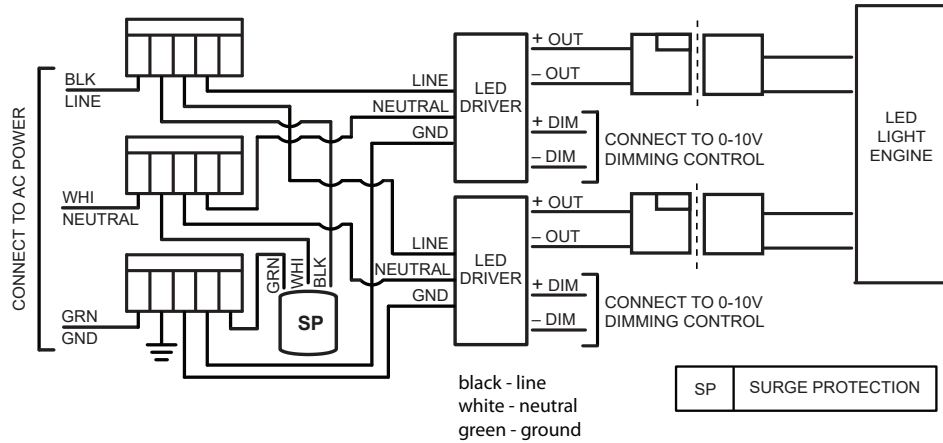


2: Mount cover plate to junction box using the provided slots.

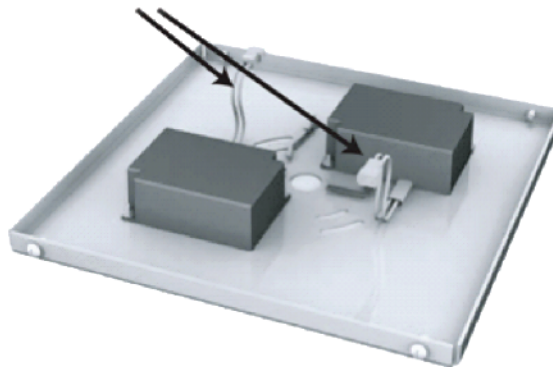


Electrical wire opening or Pendant mount hole.

3: Electrical connection should be made inside junction box. Cap all unused leads to prevent shorting. This fixture auto adjusts for voltages between 120VAC - 277VAC.



4: Connect the LED driver harness(s) to the LED light engine.



WARNING!
Do not allow the TLED-C to hang from the harness. This may cause damage to the circuit.

5: Mount bottom enclosure to the cover plate with 4 screws.

OPERATION

The LED Canopy requires no special handling. Power “ON” or power “Cycle” requirements. We do recommend routine inspections to visually verify that the fixtures are “ON” and emitting light. Any unit that is not functioning should be inspected and repaired or replaced.

TROUBLE SHOOTING

Canopy does not turn “ON”

1. Check incoming voltage to LED driver. Must be at least a minimum of 120VAC and no greater than 277VAC.
2. Are all the LEDs on the light engine “OFF”? If so, LED driver may be defective. Using a voltmeter, check to see if voltage is present at the output of power supply. If low or no voltage, then replace power supply.
3. If any individual LEDs are “OFF” the LED light engine is defective. Please have the serial number off the light engine available when you contact technical support.

SAVE THESE INSTRUCTIONS!

READ CAREFULLY AND FOLLOW ALL INSTRUCTIONS FOR YOUR OWN SAFETY

- **DISCONNECT AC POWER SUPPLY BEFORE SERVICING.**
- Installation and servicing of this equipment should be performed by qualified service personnel only.
- Ensure the electricity connections conform to the National Electrical Code and local regulations if applicable.
- Do not mount near gas or electrical heaters.
- Equipment should be mounted in locations and at heights where it will not readily be subjected to tampering by unauthorized personnel.
- The use of accessory equipment not recommended by the manufacturer may cause an unsafe condition. Any modification or use of non-original components will void the warranty and product liability.
- Do not use this equipment for other than intended use.



INSTALLATION INSTRUCTIONS

The Recessed Canopy is designed to be recessed mounted in walls, ceilings, or overhead canopies. Please consult your lighting designer to obtain the optimum installation location.

1. Remove wireway cover by loosening 4 screws. Feed supply wires through knockout and secure with fitting or bushing per local code. (Fig.1)

2. Fixture is supplied with a safety cable. Attach the safety cable in a secure place within the cut out opening to support the fixture for ease of wiring. Safety cable can be left secured after installation is complete. (Fig. 2)

Fig. 1

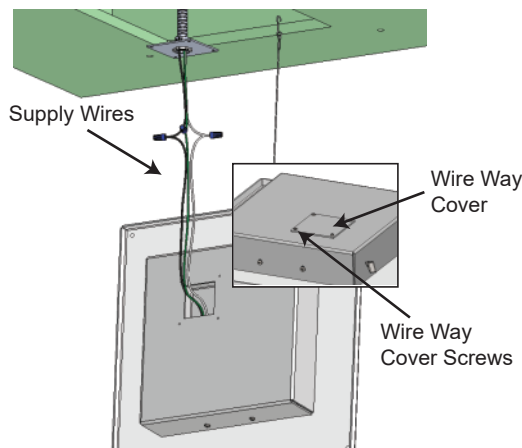
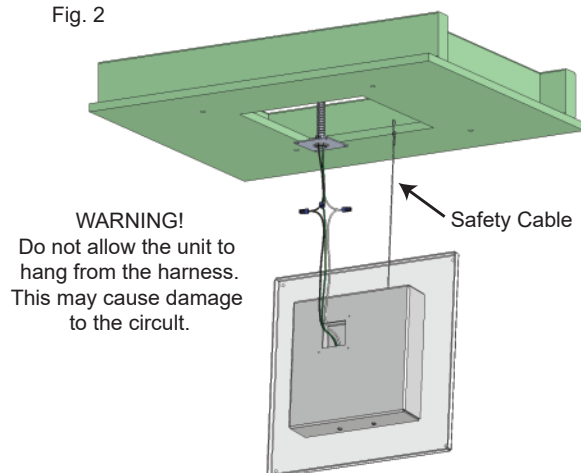
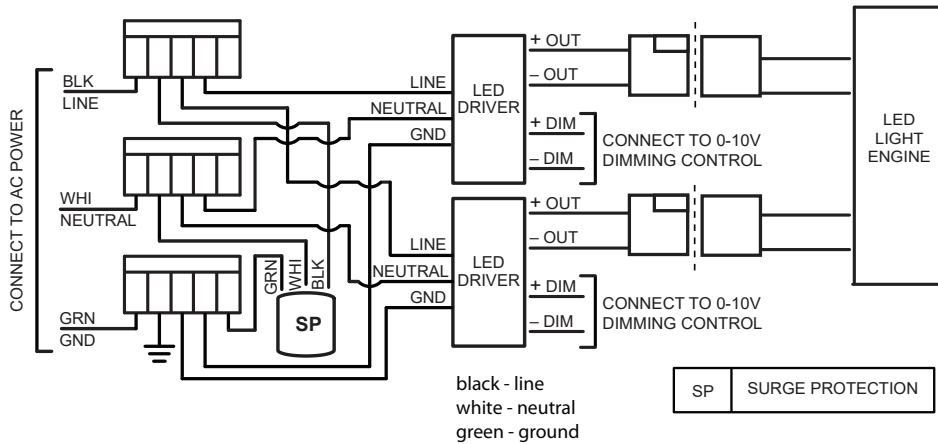


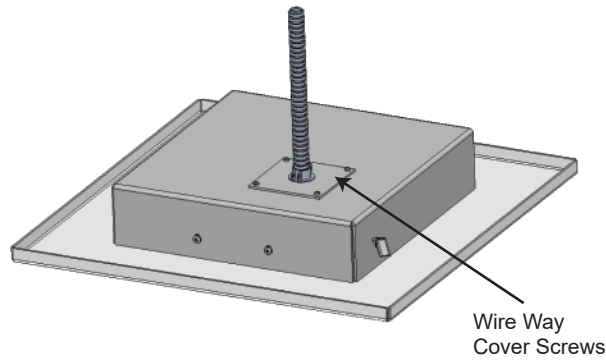
Fig. 2



3. Electrical connections should be made inside wireway cover. Cap all unused leads to prevent shorting.
This fixture auto adjust for voltage between 120VAC - 277VAC.

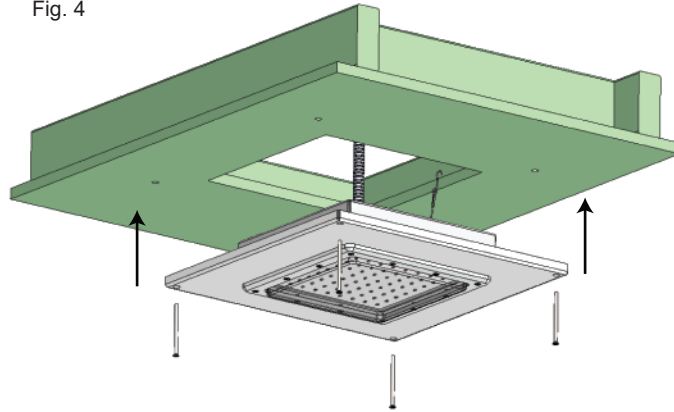


4. Secure wireway cover retightening 4 screws. Make sure no wires are being pinched when securing cover wireway.



5. Position fixture trim plate in opening. The trim plate can be securely fastened using the (4) Corner hole positions to the finished surface material using appropriate anchors/hardware. (NOT SUPPLIED) (Fig. 4)

Fig. 4



OPERATION

The Canopy requires no special handling. Power “ON” or power “Cycle” requirements. We do recommend routine inspections to visually verify that the fixtures are “ON” and emitting light. Any unit that is not functioning should be inspected and repaired or replaced.

TROUBLE SHOOTING

Canopy does not turn “ON”

1. Check incoming voltage to LED driver. Must be at least a minimum of 120VAC and no greater than 277VAC.
2. Are all the LEDs on the light engine “OFF”? If so, LED driver may be defective. Using a voltmeter, check to see if voltage is present at the output of power supply. If low or no voltage, then replace power supply.
3. If any individual LEDs are “OFF” the LED light engine is defective. Please have the serial number off the light engine available when you contact technical support.