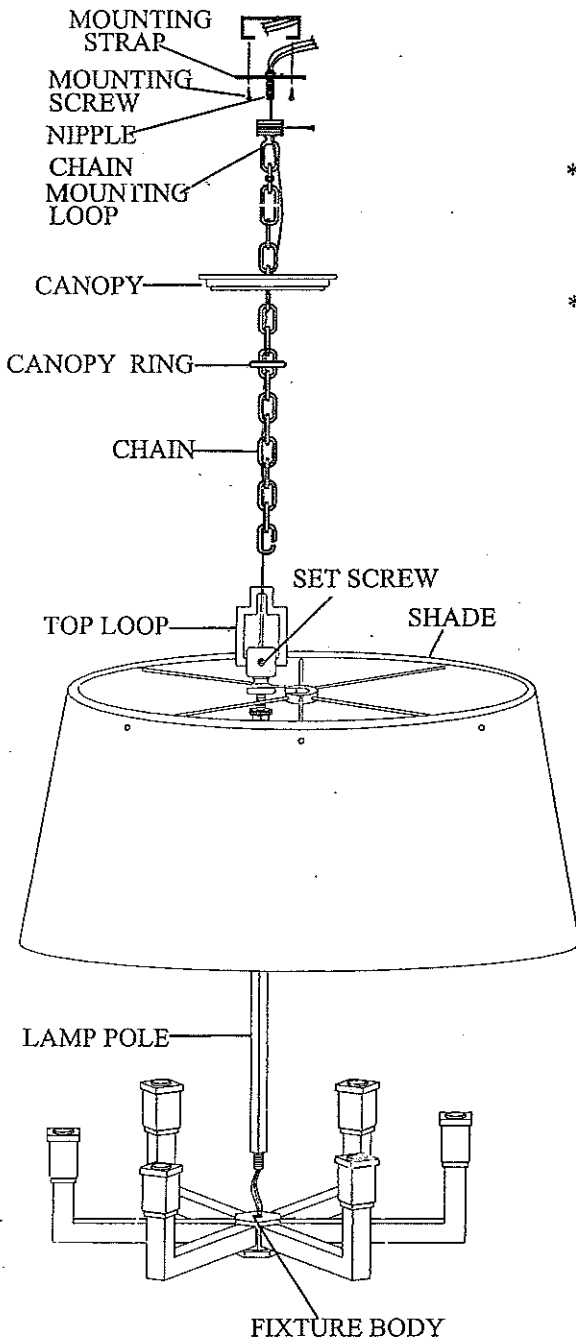


INSTALLATION INSTRUCTIONS

ITEM REFERENCE NUMBER: SL5820



***** WE RECOMMEND INSTALLATION OF THIS LIGHTING FIXTURE BE DONE BY A LICENSED ELECTRICIAN

***** Tools required: chain pliers, screwdriver

- Step 1 Remove white plastic bushing from inside of threaded hole before assembling. The threaded hole is on top of fixture body.
- Step 2 Remove plastic cover from the shade.
- Step 3 Threaded lamp pole into top threaded opening of fixture body.
- Step 4 Loosen set screw at side of top loop, attach side opening of shade spider to the top threaded section under toop and tighten with top loop. Tighten set screw to secure.
- Step 5 Attach chain to top loop on chandelier and close link.
- Step 6 Feed wire through chain and mounting loop.
- Step 7 Attach chain to top loop on chandelier and close link.
- Step 8 Feed wire through chain and mounting loop.
- Step 9 Slide canopy on chain.
- Step 10 Attach mounting strap to mounting outlet box.
- Step 11 Insert thread nipple in mounting strap.
- Step 12 Attach chain mounting loop to thread nipple.
- Step 13 Attach chain with fixture to chain mounting loop at desired height
- Step 14 Attach the ground wire (silver or brass in color) from the fixture to the ground junction box wire (usually green or copper wire). Fasten together with a plastic wire connector and wrap the connection with electrical tape. Be sure no wire strands are exposed. It is imperative that the outlet box in your home be properly grounded.
- Step 15 Connect the neutral wire from the fixture (ridges molded wire) to the neutral wire from the junction box (usually white). Fasten together with a plastic wire connector and wrap the connection with electrical tape. Be sure no wire strands are exposed.
- Step 16 Connect the hot wire from the fixture (smooth wire) to the hot wire (usually black) from the junction box. Fasten each together with a plastic wire connector and wrap the connection with electrical tape. Be sure that no wire strands are exposed. **DO NOT REVERSE THE HOT AND NEUTRAL CONNECTIONS OR SAFETY WILL BE COMPROMISED.**
- Step 17 Slip canopy to ceiling and secure with threaded canopy ring.
- Step 18 Insert light bulbs Type C, maximum 60 Watt into the sockets.