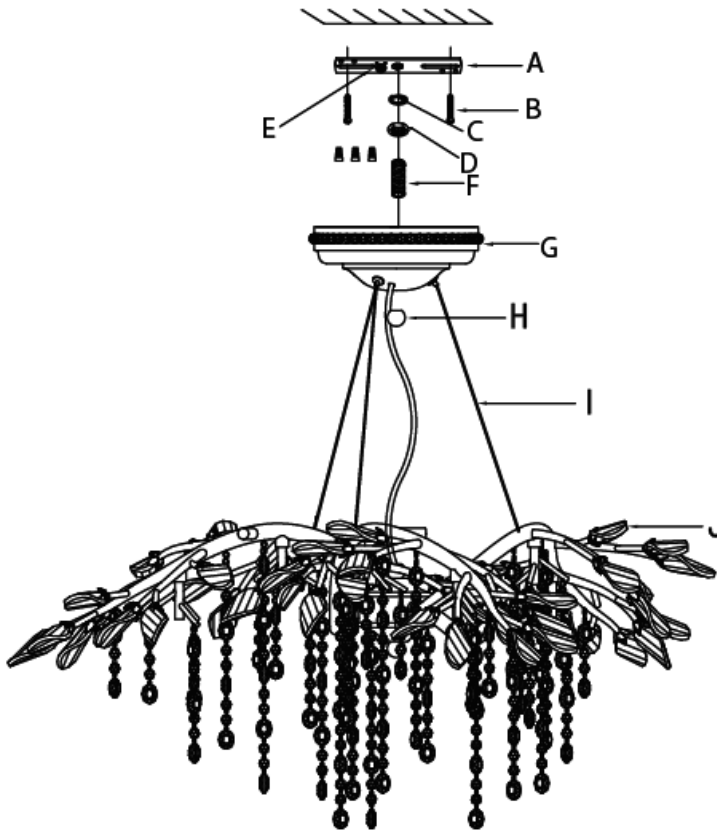


Assembly Instructions: 9903-6 (Autumn Twilight)

IMPORTANT:

- ALL INSTALLATION WORK SHOULD BE DONE BY ACCREDITED PROFESSIONAL.
- SHUT OFF POWER SUPPLY AT FUSE OR CIRCUIT BREAKER!
- USE ONLY THE SPECIFIED BULBS. DO NOT EXCEED THE MAXIMUM WATTAGE!

For Customer Service, contact
the place of purchase

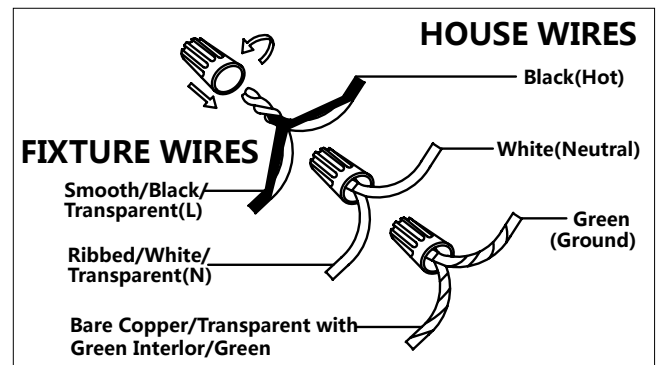


PREPARING FOR INSTALLATION

Carefully remove all of the contents from the carton. See the important notes above. Shut off the power at the circuit breaker and completely remove the old fixture from the ceiling, including the old mounting strap. From the parts bag remove the mounting strap assembly. One end of threaded rod (F) should be attached to mounting strap (A) with washer and hex nut (C and D) in place. You may need to tighten the nuts that hold the screws in place. Pull the house wires through the center of mounting strap (A). Place mounting strap (A) over the junction box and secure in place with mounting screws (B) and a screwdriver. Tighten the screws securely.

ASSEMBLING THE FIXTURE

By measuring, determine the correct length of cable wires needed for proper hanging height. To shorten the fixture, trim the wires to the desired length plus at least 8 to 10 inches. Put the fixture's wire through the hole in the side of canopy (G).



CONNECTING THE WIRES

Have an assistant support the fixture's weight while completing the wiring. Cut away excess wires. Thread the fixture's wires through the threaded rod. Attach the fixture's wires to the power supply wires from the junction box. Connect black to smooth/black/transparent (L) wire; white to ribbed/white/transparent (N) wire; ground to ground (green or copper). Twist the ends of the wire pairs together, and then twist on a wire connector. Make sure all twists are in the same direction. If there is no ground wire (green or copper) from the junction box, locate ground screw (E) on mounting strap (A) and wrap the fixture ground wire around the green ground screw (E). Use a screwdriver to secure ground screw (E) onto the mounting bracket/mounting strap. Tuck all wires.

FINISHING THE INSTALLATION

Push canopy (G) up to the ceiling so that threaded rod (F) protrudes through the hole in canopy (G). Secure canopy (G) to the ceiling by threading decorative nut (H) onto threaded rod (F).

Install the crystals before installing the halogen bulbs. To properly install crystal leaves (J), refer to the attached crystal diagram.

Install the provided halogen bulbs. Bulb Note: Use a tissue or paper towel to hold the bulb and push down into the socket. Oils and dirt can cause the bulb life to shorten. Rubbing alcohol is recommended to clean the bulbs when needed.

Your installation is now complete. Turn on the power and test the fixture.

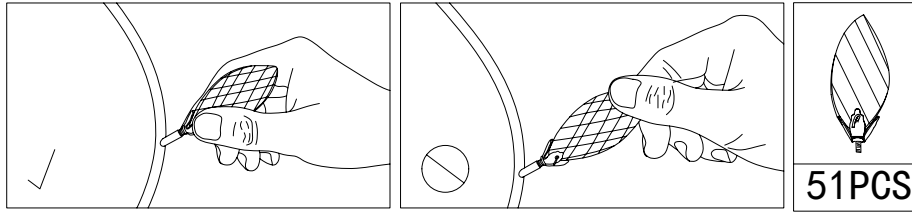
CLEANING TIPS

Treat the fixture gently! Regular cleaning will reduce the need for deep cleaning. For regular cleaning, turn off the light and wipe down the fixture with a clean lint-free cotton or microfiber cloth. Never spray cleaner directly onto the fixture. Dry with a lint-free or microfiber cloth.

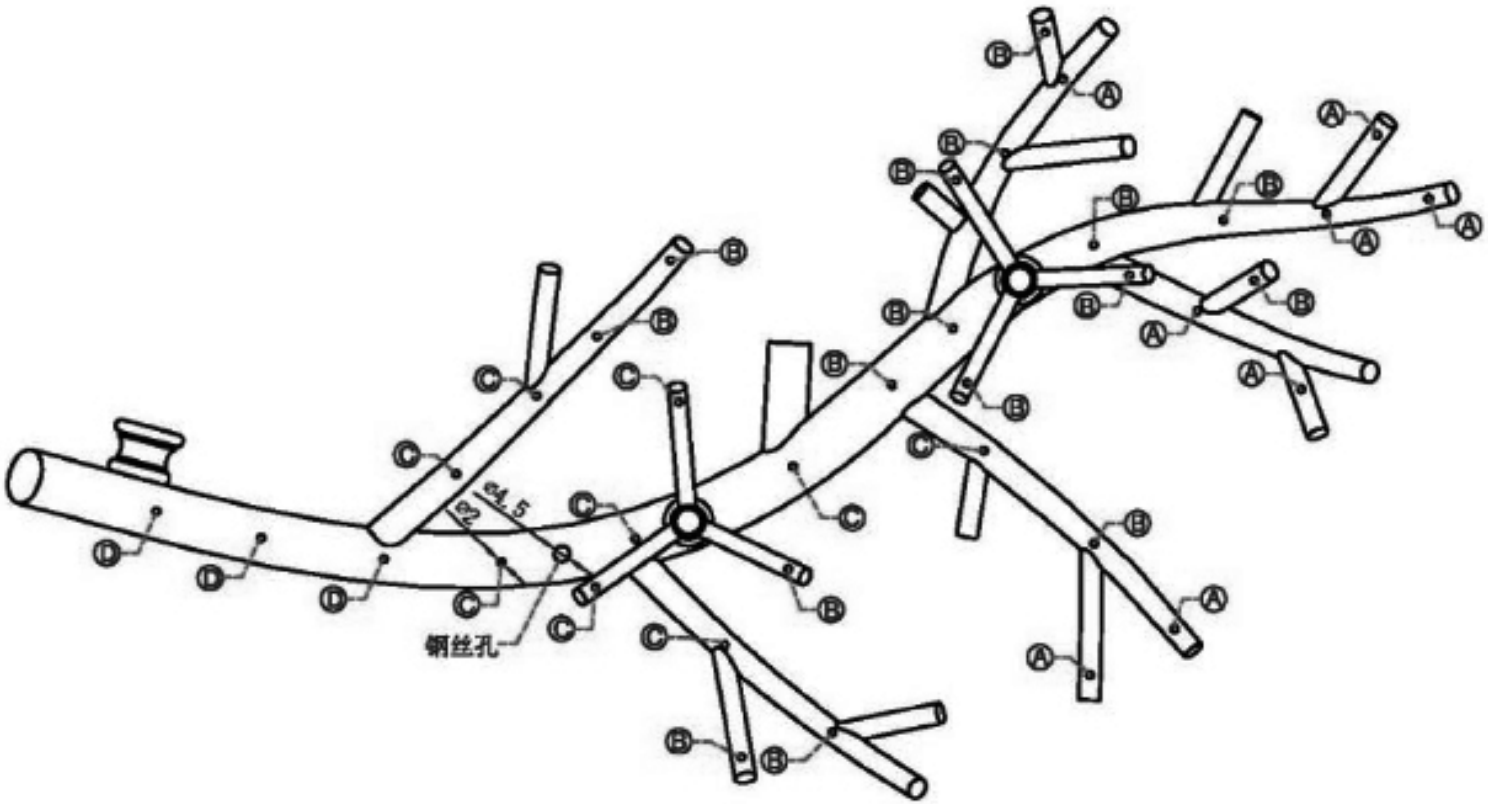
Assembly Instructions: 9903-6 (Autumn Twilight) - cont.

CRYSTAL DIAGRAM

Screw crystal leaves (L) onto the empty screw posts on the fixture body. Refer to the diagram demonstrating how to hold crystal leaves (L) carefully by the metal base to prevent the crystals from cracking or breaking. The crystal beads are tied up in bags on the fixture body. Carefully tear open the bags and arrange the strings of beads.



51PCS



<p>9903-6</p> <p>A -- PT-CRYSTAL-9903-2B</p> <p>B -- PT-CRYSTAL-9903-3B</p> <p>C -- PT-CRYSTAL-9903-4B</p> <p>D -- PT-CRYSTAL-9903-5B</p>	A	B	C	D	
	Each arm requires	X8	X16	X9	X3