

INSTALLATION INSTRUCTION

Hardscape Linear

7031 / 7061 / 7121 / 7181

WAC LIGHTING

Responsible Lighting®

SAFETY INSTRUCTION

IMPORTANT: NEVER attempt any work without shutting off the electricity.

- Read all instructions before installing.
- System is intended for installation by a qualified electrician in accordance with the National Electrical Code and local regulations.
- Place the wall switch in the "OFF" position.
- Go to the main fuse box, or circuit breaker. Unscrew the fuse(s) or switch "OFF" the circuit breaker switch(es) that control the power to the space that you are working on.

CAUTION:

All parts must be used as indicated in these instructions. Do not substitute any parts, leave parts out, or use any parts that are worn out or broken. Failure to follow this instruction could invalidate the ETL/cETL listing of this fixture.

AVERTISSEMENT

IMPORTANT : COUPEZ L'ÉLECTRICITÉ AVANT TOUTE MANIPULATION.

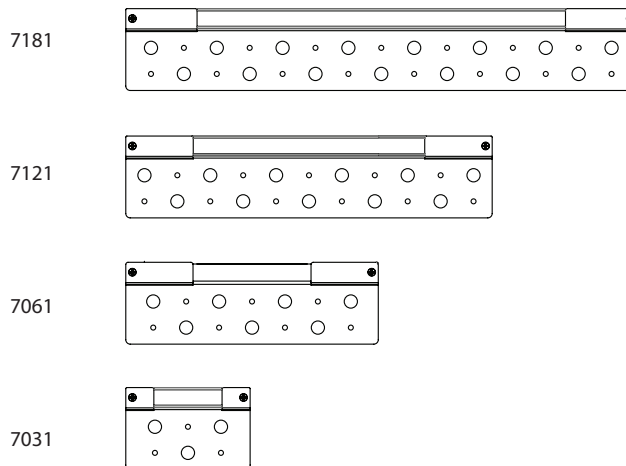
- Lisez toutes les instructions avant d'installer.
- Système est destiné à être installé par un électricien qualifié en conformité avec le code national de l'électricité et les règlements locaux.
- Placez l'interrupteur mural en position d'arrêt (« OFF »).
- Accédez au panneau central de disjoncteurs ou de fusibles de votre demeure et placez l'interrupteur principal en position d'arrêt (« OFF »).

MISE EN GARDE

Toutes les pièces doivent être utilisées tel qu'il est indiqué dans ces instructions. Ne remplacez pas les pièces, n'en laissez pas de côté et ne les utilisez pas si elles sont usées ou brisées. Le non-respect de ces instructions peut annuler l'homologation ETL/cETL du luminaire.

THIS INSTRUCTIONS APPLY TO THE MODELS BELOW:

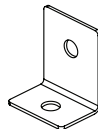
**Note: Transformer is required to power the fixture. (sold separately)*



Mounting Accessories (included in box)



Outdoor Rated Wire Nut
Qty: 2pcs



Rotating Clip
Qty: 2pcs



No.4 Mounting Screw
Qty: 2pcs

waclighting.com
Phone (800) 526.2588
Fax (800) 526.2585

Headquarters/Eastern Distribution Center
44 Harbor Park Drive
Port Washington, NY 11050

Central Distribution Center
1600 Distribution Ct
Lithia Springs, GA 30122

Western Distribution Center
1750 Archibald Avenue
Ontario, CA 91760

INSTALLATION INSTRUCTION

Hardscape Linear

7031 / 7061 / 7121 / 7181

WAC LIGHTING

Responsible Lighting®

SLAB MOUNTING

1. Make sure the main power supply is turned off
2. Use a masonry hammer and chisel to remove the coping stone above the point of application. (**Fig.1**)
3. Place the fixture in the desired position and mark where the wire will be leading on the stone below. In addition, mark the location of the two screw holes onto the stone below. Temporarily remove the fixture. (**Fig.2**)
4. Use an angle grinder with a diamond-tipped blade to cut a groove along the wire marking. Make sure the groove is deep enough for the wire to rest flush with the stone the slab is on. (**Fig.3**)
5. Checking the required drill size for your flush mount plastic anchors for No. 4 screws, use a hammer drill with a masonry bit to drill out two holes at the screw locations. The depth of the hole should be slightly longer than the length of the plastic anchor.
6. Place the flush mount plastic anchor in the hole, using the back of a screwdriver to gently hammer it in.
7. Replace the fixture and screw the No. 4 screw into the plastic anchor, securing the fixture.
8. Connect the fixture wires to landscape wires connected to your transformer using the provided outdoor rated wire nuts. (**Fig.4**)
9. Replace the coping stone on top of the fixture, using block adhesive to secure it in place. (**Fig.5**)

Fig.1

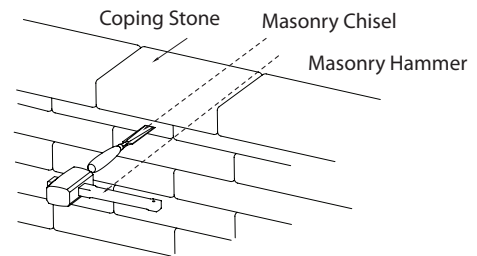


Fig.2

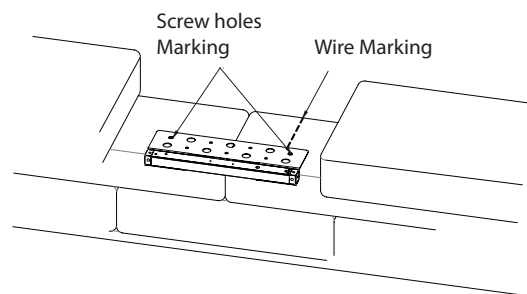


Fig.3

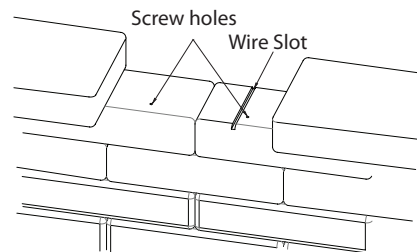


Fig.4

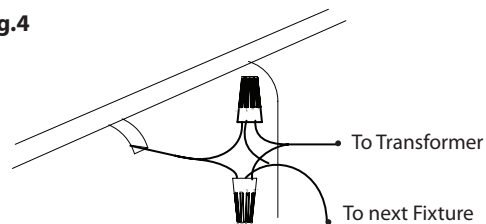
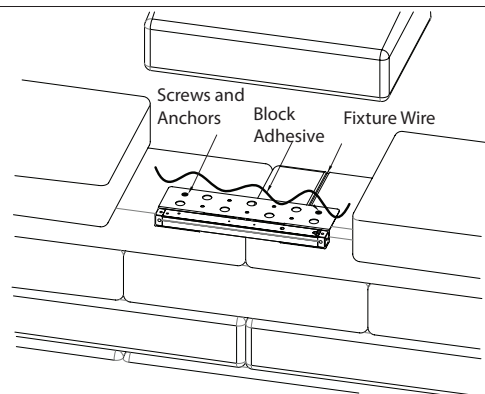


Fig.5



waclighting.com
Phone (800) 526.2588
Fax (800) 526.2585

Headquarters/Eastern Distribution Center
44 Harbor Park Drive
Port Washington, NY 11050

Central Distribution Center
1600 Distribution Ct
Lithia Springs, GA 30122

Western Distribution Center
1750 Archibald Avenue
Ontario, CA 91760

INSTALLATION INSTRUCTION

Hardscape Linear

7031 / 7061 / 7121 / 7181

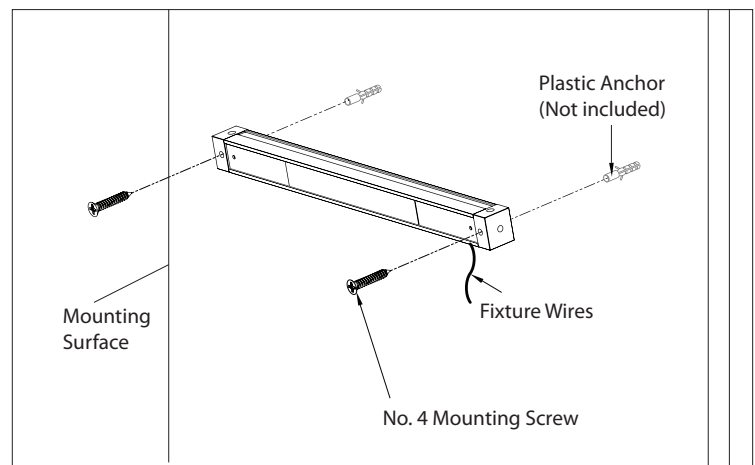
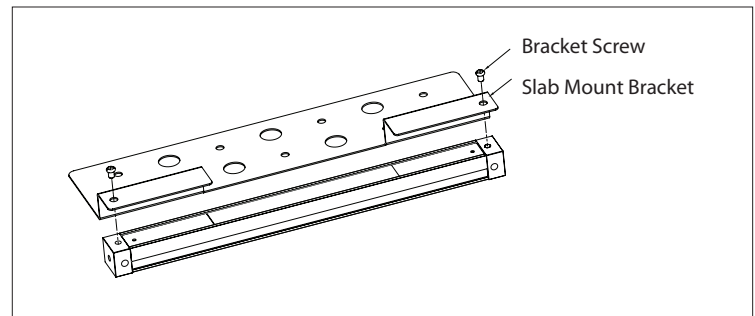
WAC LIGHTING

Responsible Lighting®

DIRECT MOUNTING

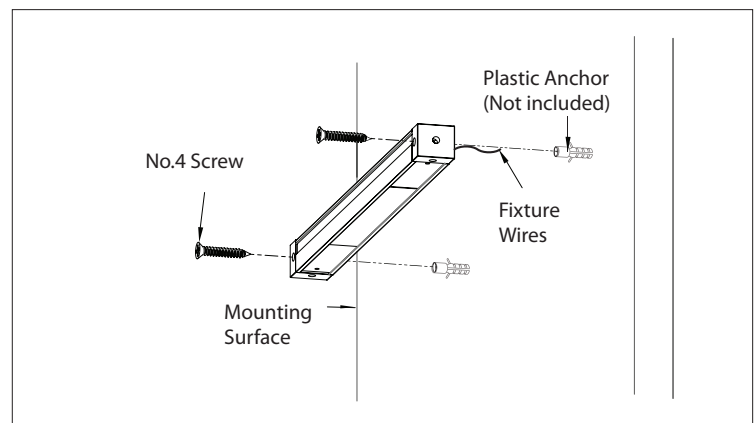
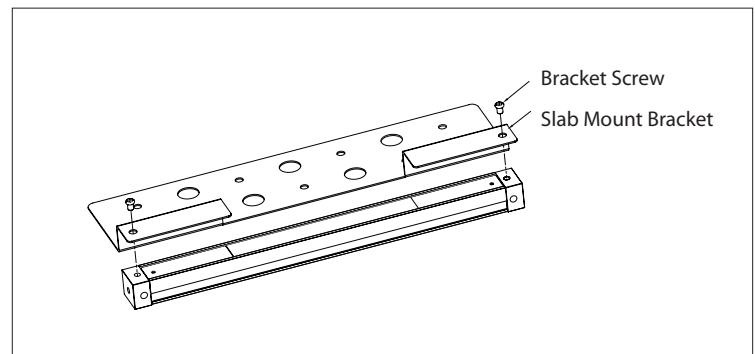
I: Mount Horizontally

1. Remove the pre-installed slab mount bracket.
2. Checking the required drill size for your flush mount plastic anchors for No. 4 screws, use a hammer drill with a masonry bit to drill out two holes at the screw locations. The depth of the hole should be slightly longer than the length of the plastic anchor.
3. Place the flush mount plastic anchor in the hole, using the back of a screwdriver to gently hammer it in.
4. Replace the fixture and screw the No. 4 screw into the plastic anchor, securing the fixture.
5. Lead the fixture wires downward and connect them to the landscape wires connected to your transformer using the provided outdoor rated wire nuts.



II: Mount Vertically

1. Remove the pre-installed slab mount bracket.
2. Checking the required drill size for your flush mount plastic anchors for No. 4 screws, use a hammer drill with a masonry bit to drill out two holes at the screw locations. The depth of the hole should be slightly longer than the length of the plastic anchor.
3. Place the flush mount plastic anchor in the hole, using the back of a screwdriver to gently hammer it in.
4. Replace the fixture and screw the No. 4 screw into the plastic anchor, securing the fixture.
5. Lead the fixture wires towards the wall and connect them to landscape wires connected to your transformer using the provided outdoor rated wire nuts. Make sure you don't pinch the wire between the fixture and mounting surface; drill a ¼ inch diameter hole through the mounting surface at the wire location if necessary.



waclighting.com
Phone (800) 526.2588
Fax (800) 526.2585

Headquarters/Eastern Distribution Center
44 Harbor Park Drive
Port Washington, NY 11050

Central Distribution Center
1600 Distribution Ct
Lithia Springs, GA 30122

Western Distribution Center
1750 Archibald Avenue
Ontario, CA 91760

INSTALLATION INSTRUCTION

Hardscape Linear

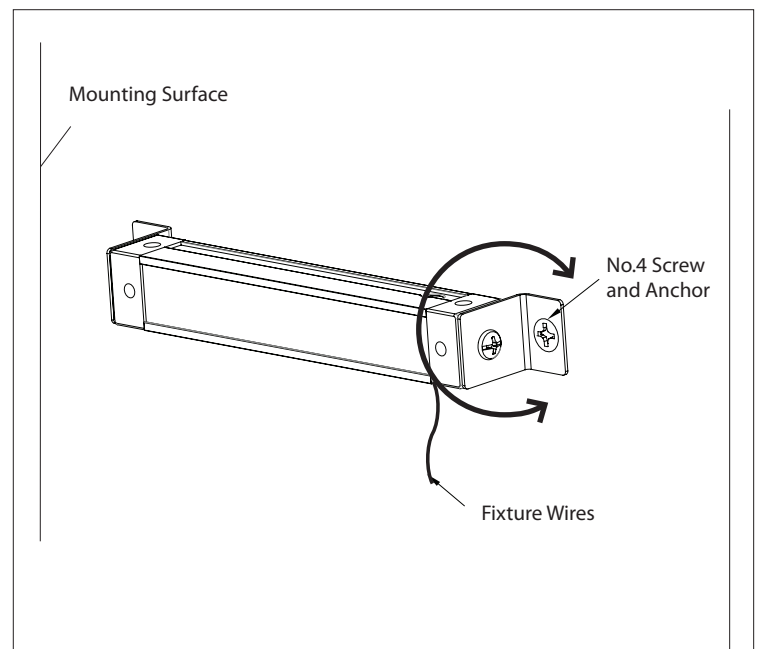
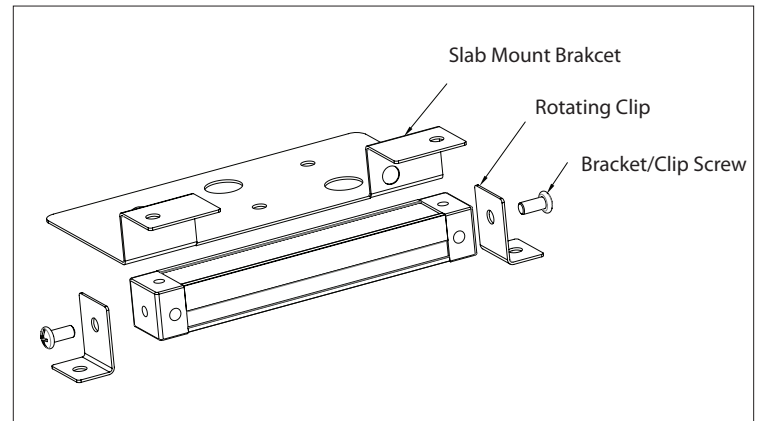
7031 / 7061 / 7121 / 7181

WAC LIGHTING

Responsible Lighting®

ROTATING CLIP MOUNTING

1. Remove the pre-installed slab mount bracket.
2. Using the same screws, attach one rotating clip on each end of the fixture.
3. Place fixture in desired position and mark the location of the two screw holes.
4. Checking the required drill size for your flush mount plastic anchors for No. 4 screws, use a hammer drill with a masonry bit to drill out two holes at the screw locations. The depth of the hole should be slightly longer than the length of the plastic anchor.
5. Place the flush mount plastic anchor in the hole, using the back of a screwdriver to gently hammer it in.
6. Replace the fixture and screw the No. 4 screw into the plastic anchor, securing the fixture.
7. Lead the fixture wires downward and connect them to the landscape wires connected to your transformer using the provided outdoor rated wire nuts.
8. In order to aim the fixture, loosen both screws on the clips, rotate and aim the fixture around its long axis that is shown in the diagram. Fix the location by tightening the screws on both ends.



waclighting.com
Phone (800) 526.2588
Fax (800) 526.2585

Headquarters/Eastern Distribution Center
44 Harbor Park Drive
Port Washington, NY 11050

Central Distribution Center
1600 Distribution Ct
Lithia Springs, GA 30122

Western Distribution Center
1750 Archibald Avenue
Ontario, CA 91760