

**MULTIPLE STANDARD INSTALLATION INSTRUCTIONS 2001, 2002, 2003, and 2004 (E) Pg. 1 of 2**

**CAUTION: DISCONNECT POWER DURING INSTALLATION**

1) If you are replacing an existing fixture, disconnect and remove the old fixture. Expose the supply wiring from the outlet box.

2) **A) # 2001 SINGLE CAP NUT INSTALLATION:**

Screw the threaded pipe 3 complete turns into the mounting strap and lock in place with hex nut.

**B) # 2002, 2003 & 2004 CAP NUT INSTALLATION:**

Thread the machine screws into the opposite side of the mounting plate from the green ground screw. Lock the machine screws into place with lock nuts.

3) Fasten the mounting strap to the outlet box using the two screws supplied with the outlet box.

4) Spread the electrical wires so that the black wires are on one side of the outlet box and the white wires are on the other side.

5) **GROUNDING INSTRUCTIONS:**

A) On Fixtures where mounting strap or mounting plate is provided with a green ground screw and two raised dimples. Wrap ground wire from outlet box around green ground screw and tighten. (As shown above).

B) On fixtures where mounting strap or mounting plate is provided with a green ground wire attached. (Not shown). Connect mounting strap or mounting plate ground wire to ground wire from outlet box with wire connector (not provided).

C) If fixture is provided with ground wire attached. (Not shown). Connect fixture ground wire to ground wire from outlet box with wire connector (not provided). After following the above steps.

**NEVER CONNECT GROUND WIRE TO BLACK OR WHITE POWER SUPPLY WIRES.**

6) To make electrical connections: Connect the white wire(s) from the fixture to the white wire of the outlet box. Connect the black wire(s) from the fixture to the black wire of the outlet box. NOTE: Black outlet box wire may be red, round & smooth and / or have copper connector. White outlet box wire may be square & ridged and / or have a silver conductor.

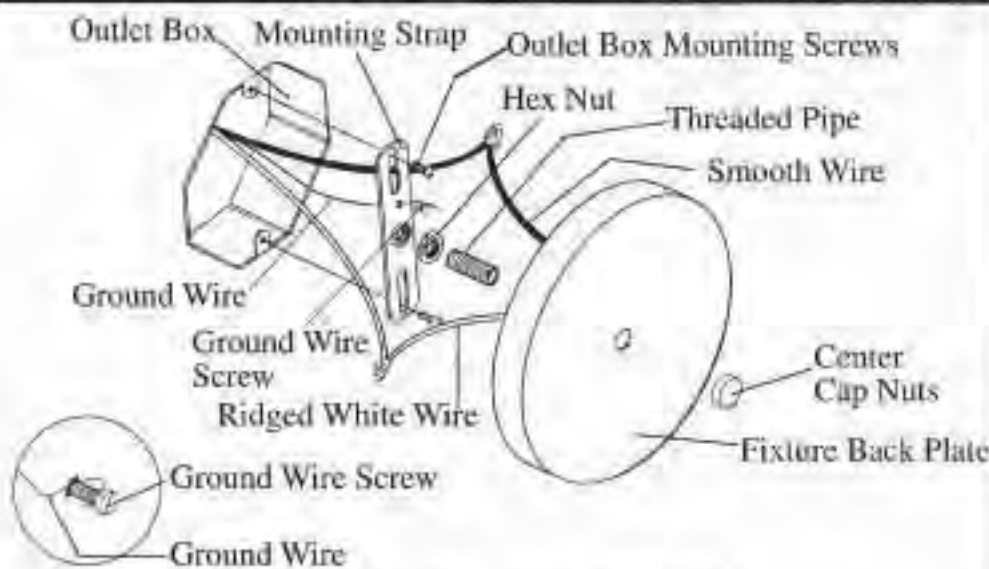
7) Place fixture against mounting surface allowing the machine screws to pass through the fixture cover plate. Secure with cap nuts.

©FEISS INDUSTRIES

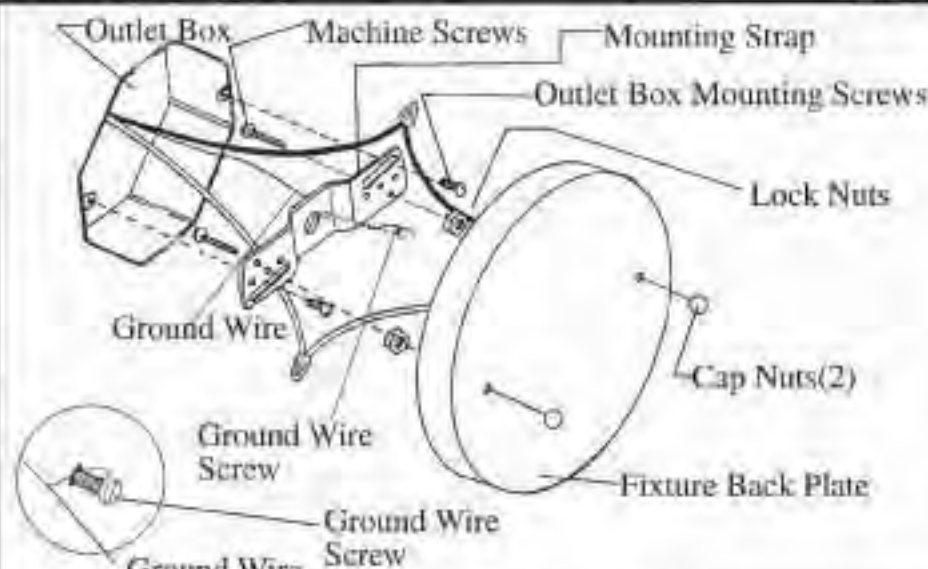
**M U R R A Y F E I S S**

**MULTIPLE STANDARD INSTALLATION INSTRUCTIONS**

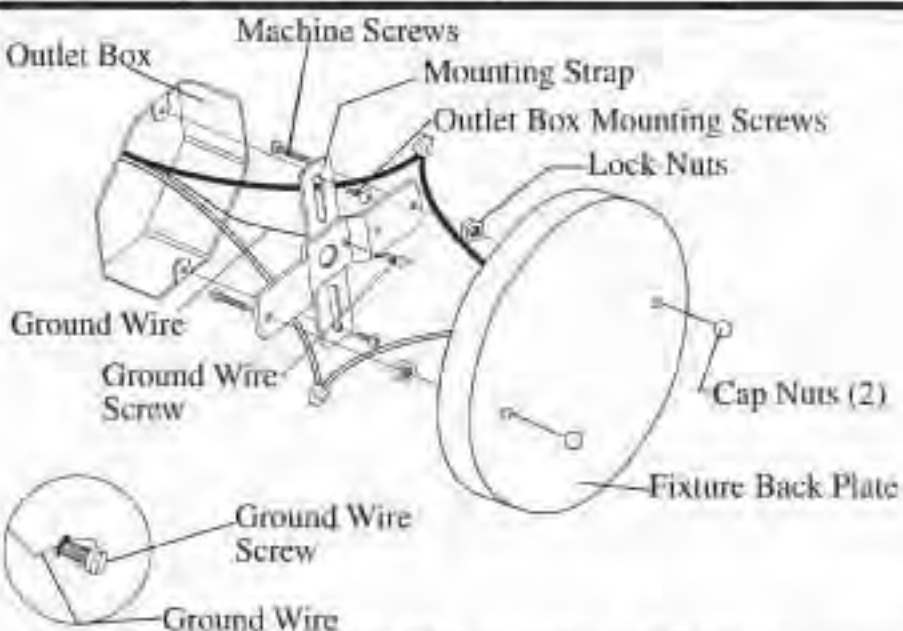
PAGE 2 OF 2  
REV 04/04/01



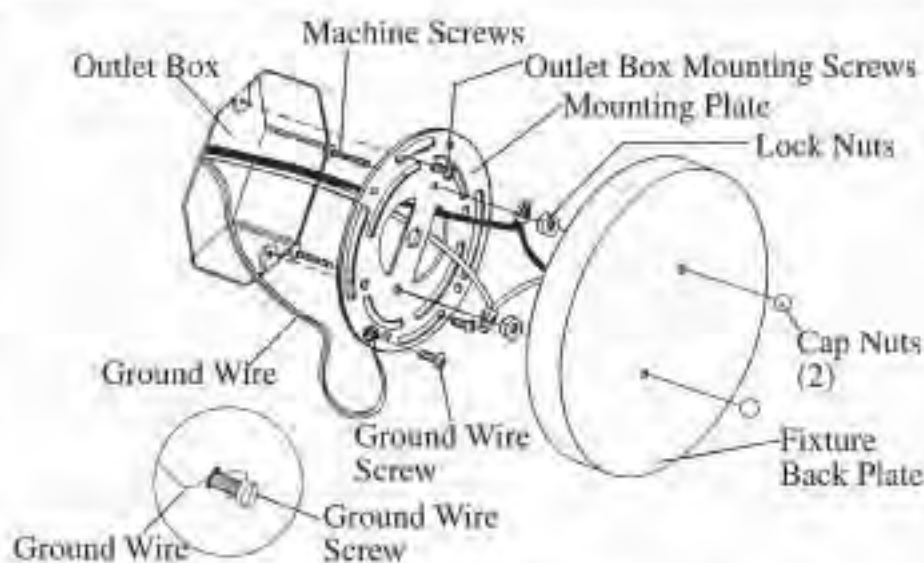
**# 2001 Threaded Pipe Installation**



**# 2002 Single Mounting Strap Installation**



**# 2003 Double Mounting Strap Installation**



**# 2004 Standard Mounting Plate Installation**

©FEISS INDUSTRIES

**M U R R A Y F E I S S**

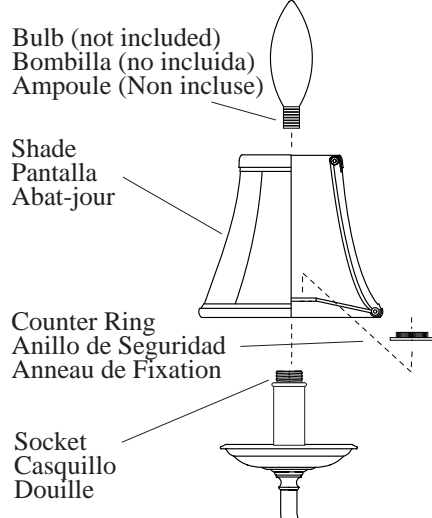
## STANDARD SHADE INSTALLATION INSTRUCTIONS:

#2031 (E,S,F) 10/29/03

**IMPORTANT: TURN OFF POWER AT MAIN FUSE OR CIRCUIT BREAKER BOX BEFORE STARTING INSTALLATION**

**IMPORTANTE: CORTE LA ALIMENTACIÓN ELÉCTRICA, CERRANDO EL INTERRUPTOR CENTRAL O QUITANDO EL FUSIBLE DEL PANEL CENTRAL ANTES DE COMENZAR EL ENSAMBLE.**

**IMPORTANT: COUPER L'ALIMENTATION ÉLECTRIQUE AU BOÎTIER CENTRAL (DISJONCTEUR OU FUSIBLES), AVANT DE COMMENCER L'INSTALLATION**



### ENGLISH

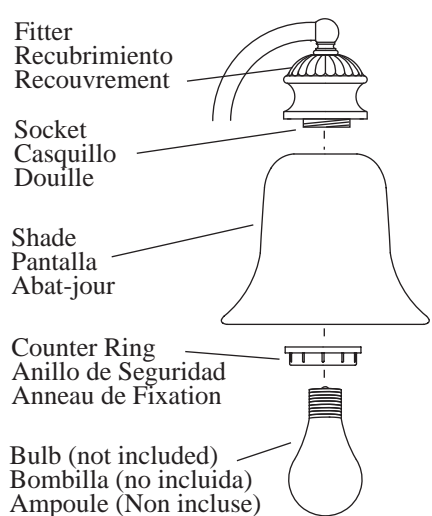
1. Through bottom opening of shade, install counter ring over shade washer onto threaded socket until shade is secure. Through top opening of shade, install light bulb (not included). See relamping label at socket area for bulb type and maximum allowed wattage.

### ESPAÑOL

1. Introduzca el casquillo a través de la apertura inferior de la pantalla y coloque la arandela de la pantalla por encima del casquillo; inserte el anillo de seguridad sobre el casquillo y la arandela de la pantalla, hasta que la pantalla esté bien fijada. Introduzca las bombillas a través de la apertura inferior de la pantalla (bombillas no incluidas). Lea la etiqueta de reemplazo para las bombillas que se encuentra cerca del casquillo, para saber el tipo y la cantidad máxima permisible de vatios.

### FRANÇAIS

1. Introduisez douille à travers l'ouverture inférieure de l'abat-jour et placez la rondelle de l'abat-jour par-dessus douille; insérez l'anneau de sécurité par-dessus douille et la rondelle de l'abat-jour, jusqu'à ce que l'abat-jour soit bien solide. Introduisez les ampoules à travers l'ouverture supérieure de l'abat-jour. (Ampoules non incluses) Consultez l'étiquette de remplacement d'ampoule, située près de douille, pour connaître le type d'ampoule et le wattage maximum permis.



### ENGLISH

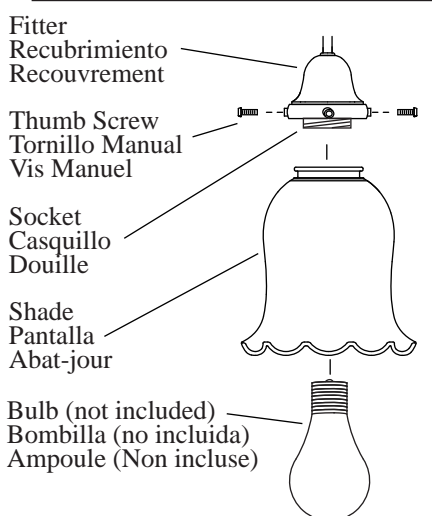
1. Remove counter rings from threaded sockets.
2. Install shade onto fitters by fastening counter ring back onto threaded sockets.
3. Install bulbs (not included). See relamping label at socket area for type and maximum allowed wattage.

### ESPAÑOL

1. Quite el anillo de seguridad de los casquillos.
2. Instale la pantalla en el casquillo atornillando los anillos de seguridad sobre los casquillos enroscados.
3. Instale la bombilla (no incluida). Lea la etiqueta de reemplazo para las bombillas que se encuentra cerca del casquillo, para saber el tipo y la cantidad máxima permisible de vatios.

### FRANÇAIS

1. Retirez l'anneau de fixation des douilles.
2. Installez les abat-jour sur les adaptateurs, en vissant les anneaux de sécurité sur les douilles filetées.
3. Installez les ampoules (non incluses). Consultez l'étiquette de remplacement d'ampoule, située près de douille, pour connaître le type d'ampoule et le wattage maximum permis.



### ENGLISH

1. Install glass shade onto fitter by locking with thumb screws.
2. Install bulbs (not included). See relamping label at socket area for type and maximum allowed wattage.

### ESPAÑOL

1. Instale la pantalla sobre el recubrimiento con los tornillos manuales.
2. Instale la bombilla (no incluida). Lea la etiqueta de reemplazo para las bombillas que se encuentra cerca del casquillo, para saber el tipo y la cantidad máxima permisible de vatios.

### FRANÇAIS

1. Installez l'abat-jour sur le recouvrement, à l'aide des vis à serrage manuel.
2. Installez les ampoules (non incluses). Consultez l'étiquette de remplacement d'ampoule, située près de douille, pour connaître le type d'ampoule et le wattage maximum permis.

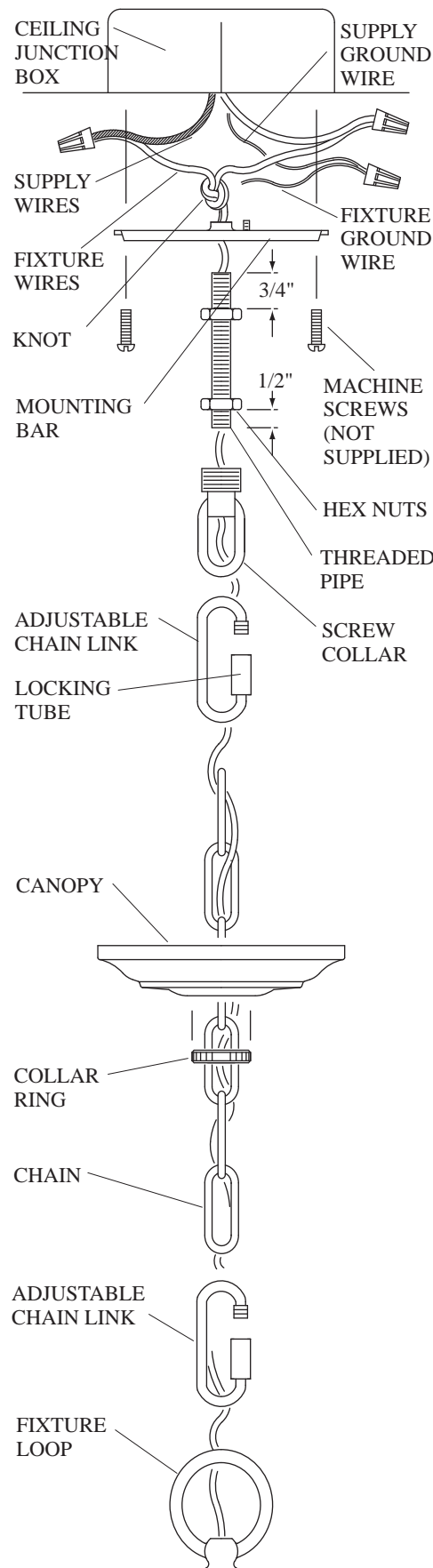
©MURRAY FEISS IMPORT CORP.

# MURRAY FEISS

## STANDARD CHAIN SUSPENDED FIXTURE INSTALLATION INSTRUCTIONS #2000:

(E) 05/21/03

**IMPORTANT: TURN OFF POWER AT MAIN FUSE OR CIRCUIT BREAKER BOX BEFORE STARTING INSTALLATION.**



1. Attach mounting bar securely to ceiling junction box with two machine screws (supplied with junction box) through slot at each end of mounting bar. Note: mounting bar should be installed with "GND" imprint and/or two dimples facing down.

2. Fasten one hex nut about 3/4" down from one end of threaded pipe. Then screw same end of threaded pipe into center hole in mounting bar. At this point test install the canopy onto ceiling through this threaded pipe and make certain 3/8" of pipe protrude below the canopy. If not, then adjust the threaded pipe location by screwing up or down accordingly. Once correct threaded pipe location has been adjusted, remove canopy and tighten hex nut against mounting bar. Make certain not to spin threaded pipe during tightening.

3. Fasten another hex nut onto bottom end of threaded pipe. Bring up 1/2" from bottom end of pipe to bottom side of hex nut. Then fasten screw collar into same end of pipe and lock into position by tightening hex nut.

4. Take one adjustable chain link, twist open the locking tube, and then hook onto fixture loop and onto one end of chain. Close back the locking tube.

5. At this point decide how much chain to use, including one additional adjustable chain link at top end, so the fixture hangs at desired height. Spread open the chain link you have decided to remove and discard unused links.

6. Slide collar ring and then canopy down the chain.

7. Take another adjustable chain link, twist open the locking tube, and then hook onto top end of chain. Then grabbing onto chain firmly lift fixture and hook the same adjustable chain link onto screw collar which has been mounted onto ceiling. Close back the locking tube of adjustable chain link.

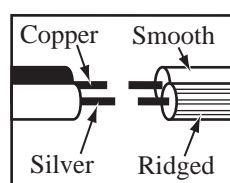
8. Take the fixture ground wire (without plastic insulation) and weave up through the chain links, and then through screw collar and threaded pipe. Repeat with fixture wires (with plastic insulation).

9. Cut any excess fixture wires and ground wire leaving only about 8" length from top end of threaded pipe. Take fixture wires and tie a knot above threaded pipe. Then split fixture wires and strip off 3/4" of plastic insulation from each end.

10. Fixture wires connection: Connect fixture wires to supply wires per below chart. Wire connectors not included; and use electrical tape to secure wire connector and wires together.

Connect Clear, Brown, Gold or Black *Parallel Wire without tracer (round & smooth) or Black Fixture Wire to:	Connect Clear, Brown, Gold or Black *Parallel Wire with tracer (square & ridged) or White Fixture Wire to:
Black or Red Supply Wire or Insulated Wire (other than green) with copper conductor	White Supply Wire or Insulated Wire (other than green) with silver conductor

\* Fixtures normally use parallel wires (SPT 1 & SPT 2), of which the tracer wire is shaped square or ridged and the without tracer wire is shaped round or smooth.



Note: Make certain no loose conductors protrude outside of wire connectors. And make certain all wires are securely held together by wire connectors.

11. Ground wire connection: Connect fixture ground wire to supply ground wire (usually with green insulation) with wire connector. Note: If there is no supply ground wire at ceiling junction box then attach fixture ground wire securely onto green grounding screw located at mounting bar.

**Important: Never connect ground wire to black or white supply wires.**

12. Once all wires are connected, tuck them carefully into junction box. Then raise canopy against the ceiling and lock into position by screwing collar ring onto screw collar.

# MURRAY FEISS