

# AVACF\_DWL & AVAC\_DWL INSTALLATION INSTRUCTIONS

## Avante Cable Suspended Horizontal J-Box Mounting Kit

Upon receipt, thoroughly inspect for any freight damage which should be brought to the attention of the delivery carrier. Compare the catalog description listed on the packing slip with the label on the carton to ensure you have received the correct merchandise.

**WARNING : RISK OF FIRE, ELECTRIC SHOCK, CUTS AND/OR OTHER CASUALTY HAZARDS. THIS PRODUCT IS TO BE INSTALLED BY A QUALIFIED ELECTRICIAN ONLY. LITHONIA LIGHTING ASSUMES NO RESPONSIBILITY FOR CLAIMS ARISING OUT OF IMPROPER OR CARELESS INSTALLATION OR HANDLING OF THIS PRODUCT.**

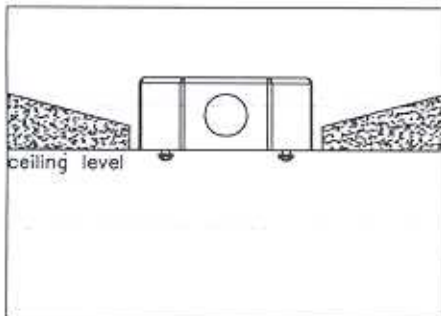
CAUTION: IT IS CRITICAL THAT SUPPORT LOCATIONS ARE LOCATED ACCURATELY. WE RECOMMEND THAT A LASER DEVICE BE USED TO LINE UP THE SUPPORT LOCATIONS ON FIXTURES HAVING MORE THAN ONE SECTION. IF NOT ALIGNED PROPERLY, A NOTICEABLE "BEND" MAY BE APPARENT WHEN VIEWED FROM THE END OF THE RUN.

For ceiling mounting type, contractor needs to provide some or all of following parts to complete installation (see fig. 1 & 2).

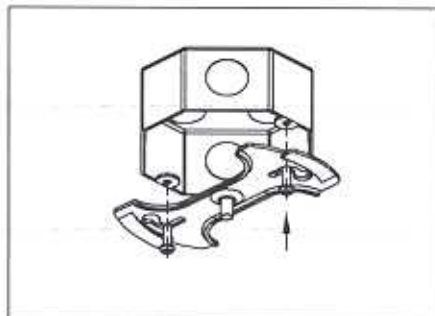
- \* ) 4" octagonal x 1 1/2" deep J-box with 1/2" K.O. on middle of side.
- \* ) 1/4"-20 stud.

NOTE: Cable retainer should engage to 1/4"-20 stud no less than 1/4".

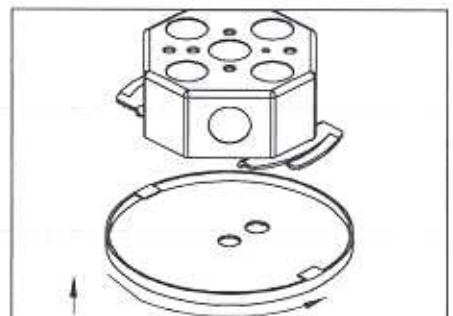
### (1) AT FEED LOCATION (CEILING)



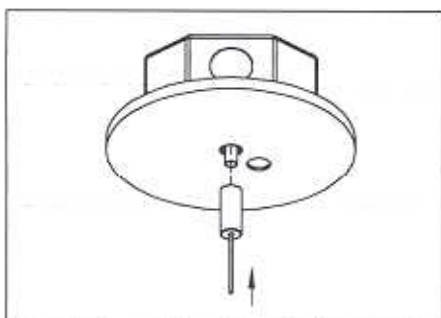
Step 1: Secure the 4" octagonal junction box so that it is flush with ceiling level.



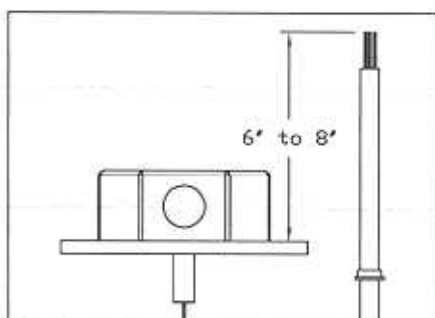
Step 2: Attach the mounting strap to the junction box and securely fasten.



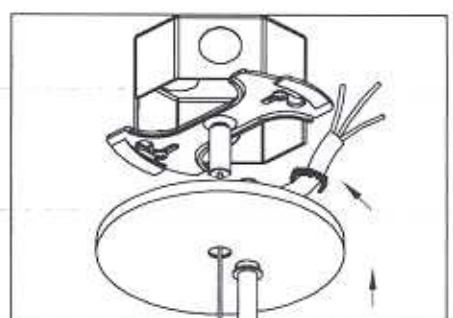
Step 3: Temporarily install the canopy to the mounting strap.



Step 4: Screw the cable retainer to the stud.

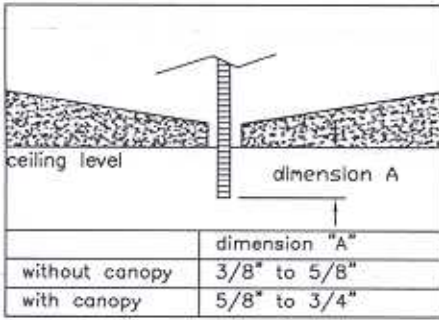


Step 5: Calculate the actual length of the cord required to reach the junction box, allowing 6" to 8" for splicing. Cut and strip the cord if necessary.

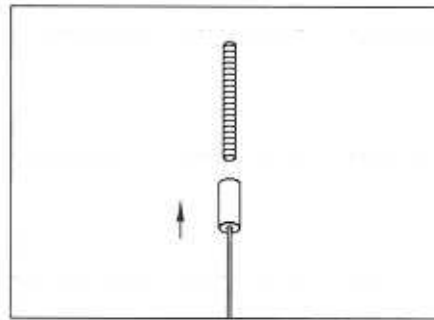


Step 6: Remove the canopy. Install the bushing. Insert the cord end through the canopy. Then install the insulated crimp strain relief (hog ring) above the canopy. Install canopy to mounting strap.

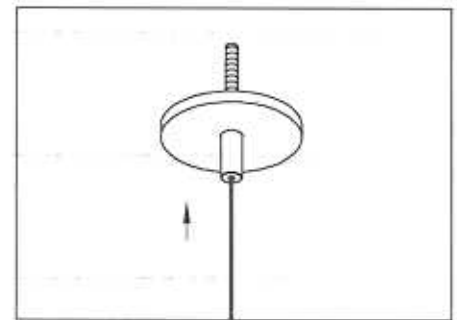
**(2) AT NON-FEED LOCATION (CEILING)**



Step 1: Secure the 1/4-20 stud at the dimension shown.

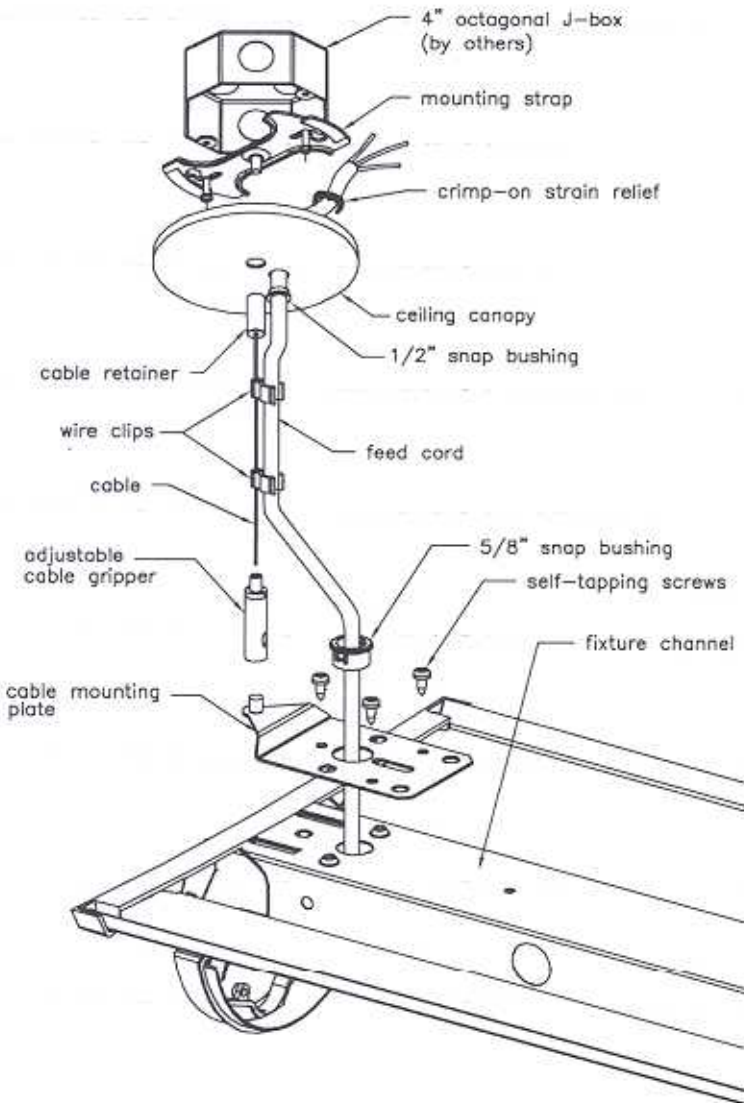


Step 2: If canopy is not used, securely fasten the cable retainer to the 1/4-20 stud.



Step 2A: If canopy is used, insert the the canopy and securely fasten the cable retainer to the 1/4-20 stud.

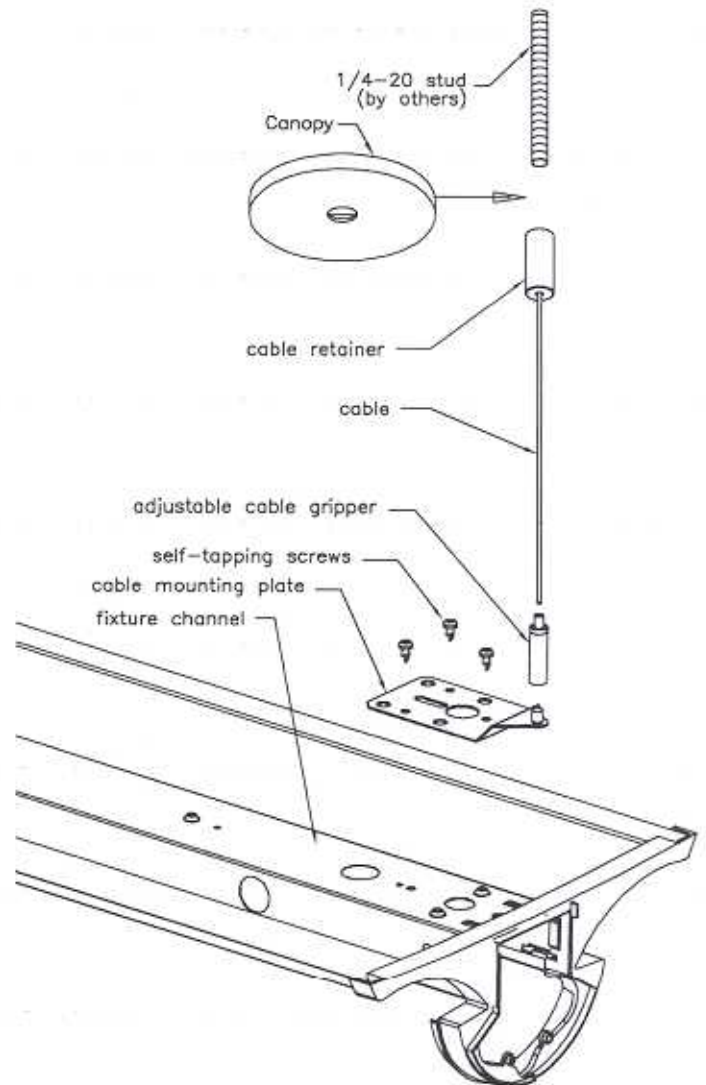
**FIG. 1. AT FEED LOCATION**



**(1) AT FEED LOCATION (FIXTURE)**

1. Install cable mounting plate to fixture channel with three self-tapping screws and push 5/8" snap bushing into center of cable mounting plate (as shown).
2. Thread adjustable cable gripper onto stud of cable mounting plate.
3. Insert cable into top of cable gripper and level fixture.
4. Insert feed cord through 5/8" snap bushing in cable mounting plate (through knockout in top of fixture channel).
5. Wire fixture using appropriate wire connectors and methods.

**FIG. 2. AT NON-FEED LOCATION**



**(2) AT NON-FEED LOCATION (FIXTURE)**

1. Install cable mounting plate to fixture channel with three self-tapping screws (as shown).
2. Thread adjustable cable gripper onto stud of cable mounting plate.
3. Insert cable into top of cable gripper and level fixture.