

### READ AND FOLLOW ALL SAFETY INSTRUCTIONS! SAVE THESE INSTRUCTIONS AND DELIVER TO OWNER AFTER INSTALLATION

- To reduce the risk of death, personal injury or property damage from fire, electric shock, falling parts, cuts/abrasions, and other hazards please read all warnings and instructions included with and on the fixture box and all fixture labels.
- Before installing, servicing, or performing routine maintenance upon this equipment, follow these general precautions.
- Installation and service of luminaires should be performed by a **qualified licensed electrician**.
- Maintenance of the luminaires should be performed by person(s) familiar with the luminaires' construction and operation and any hazards involved. Regular fixture maintenance programs are recommended.
- It will occasionally be necessary to clean the outside of the refractor/lens. Frequency of cleaning will depend on ambient dirt level and minimum light output which is acceptable to user. Refractor/lens should be washed in a solution of warm water and any mild, non-abrasive household detergent, rinsed with clean water and wiped dry. Should optical assembly become dirty on the inside, wipe refractor/lens and clean in above manner, replacing damaged gaskets as necessary.
- **DO NOT INSTALL DAMAGED PRODUCT!** This luminaire has been properly packed so that no parts should have been damaged during transit. Inspect to confirm. Any part damaged or broken during or after assembly should be replaced.
- Recycle: For information on how to recycle LED electronic products, please visit [www.epa.gov](http://www.epa.gov).
- These instructions do not purport to cover all details or variations in equipment nor to provide every possible contingency to meet in connection with installation, operation, or maintenance. Should further information be desired or should particular problems arise which are not covered sufficiently for the purchaser's or owner's purposes, this matter should be referred to Acuity Brands Lighting, Inc.



#### WARNING RISK OF ELECTRIC SHOCK

- ✓ Disconnect or turn off power before installation or servicing.
- ✓ Verify that supply voltage is correct by comparing it with the luminaire label information.
- ✓ Make all electrical and grounded connections in accordance with the National Electrical Code (NEC) and any applicable local code requirements.
- ✓ All wiring connections should be capped with UL approved recognized wire connectors.



#### WARNING RISK OF BURN

- ✓ Allow lamp/fixture to cool before handling. Do not touch enclosure or light source.
- ✓ Follow all manufacturer's warnings, recommendations and restrictions for: driver type, burning position, mounting locations/methods, replacement and recycling.



#### CAUTION RISK OF INJURY

- ✓ Wear gloves and safety glasses at all times when removing luminaire from carton, installing, servicing or performing maintenance.
- ✓ Avoid direct eye exposure to the light source while it is on.



#### CAUTION RISK OF FIRE

- ✓ Keep combustible and other materials that can burn, away from lamp/lens.
- ✓ Do not operate in close proximity to persons, combustible materials or substances affected by heat or drying.

**LED IMPORTANT SAFETY INSTRUCTIONS**



**CAUTION: RISK OF PRODUCT DAMAGE**

- ✓ Never connect components under load.
- ✓ Do not mount or support these fixtures in a manner that can cut the outer jacket or damage wire insulation.
- ✓ Unless individual product specifications deem otherwise: Never connect an LED product directly to a dimmer packs, occupancy sensors, timing devices, or other related control devices. LED fixtures must be powered directly off a switched circuit.
- ✓ Unless individual product specifications deem otherwise: Do not restrict fixture ventilation. Allow for some volume of airspace around fixture. Avoid covering LED fixtures with insulation, foam, or other material that will prevent convection or conduction cooling.
- ✓ Unless individual product specifications deem otherwise: Do not exceed fixtures maximum ambient temperature.
- ✓ Only use fixture in its intended location.
- ✓ Electrostatic Discharge (ESD): ESD can damage LED fixtures. Personal grounding equipment must be worn during all installation or servicing of the unit.
- ✓ Do not touch individual electrical components as this can cause ESD, shorten lamp life, or alter performance.
- ✓ Some components inside the fixture may not be serviceable. In the unlikely event your unit may require service, stop using the unit immediately and contact an ABL representative for assistance.
- ✓ Always read the fixtures complete installation instructions prior to installation for any additional fixture specific warnings.

**Please see product specific installation instructions for additional warnings or any applicable FCC or other regulatory statements.**

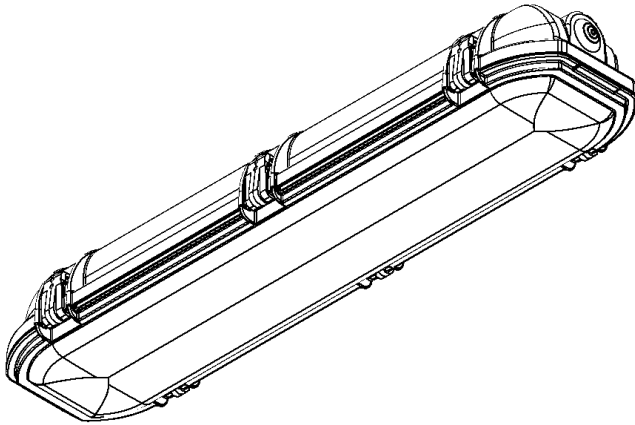
**Failure to follow any of these instructions could void product warranties. For a complete listing of product Terms and Conditions, please visit [www.acuitybrands.com](http://www.acuitybrands.com).**

<b>Our Brands</b>	<b>Indoor/Outdoor</b>	<b>Indoor Lighting</b>	<b>Outdoor Lighting</b>	<b>Controls</b>
	Lithonia Lighting	Gotham	American Electric Lighting	DARK TO LIGHT
	Carandini	Mark Architectural Lighting	Antique Street Lamps	Lighting Control & Design
	Holophane	Peerless	Hydrel	ROAM
	RELOC	Renaissance Lighting	Tersen	Sensor Switch
		Winona Lighting		Synergy

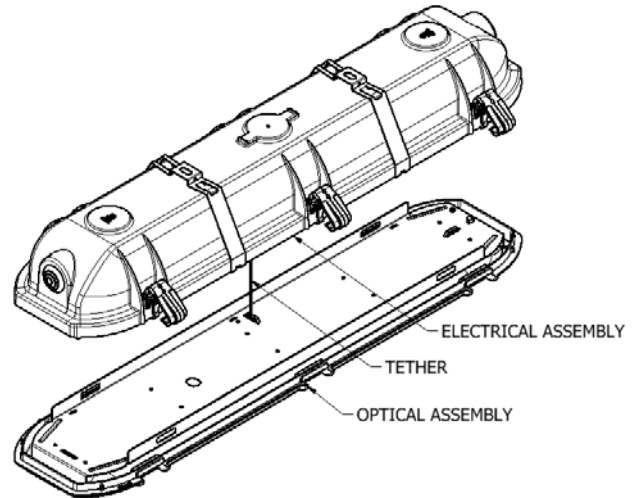
**Acuity Brands Lighting, Inc. assumes no responsibility for claims arising out of improper or careless installation or handling of its products.**

ABL LED General Warnings, Form No. 503.203

+© 2015 Acuity Brands Lighting, Inc. All rights reserved. 4/06/15



**Figure 1 – Assembled Luminaire**

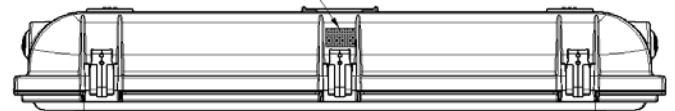


**Figure 4 – Hanging Luminaire**

**1 Introduction**

**1.1 Product Description.** The DMW2 luminaires have been designed and tested in accordance with applicable UL/CSA standards and are suitable for use in wet locations. Max luminaire weight is 9 lbs.

RED TAPE INDICATES LOCATION FOR MAGNET BATTERY TESTING



**Figure 5 – Hanging Luminaire**



**Figure 2 – Surface Mount Bracket Installation Process**

**2 Installation**

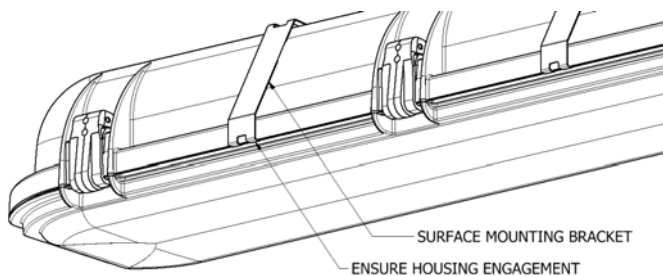
**2.1 Standard Mounting type (Surface Mounting Bracket) (see figure 2 – 5 and 12)**

**2.1.1** Attach two (2) surface mounting brackets to ceiling or wall using 1/4" fasteners (customer supplied). Install brackets 5" – 14" apart.

**2.1.2** Install one side of housing in brackets. Ensure housing fully engages with brackets.

**2.1.3** Rotate up and snap the other side of the housing into the bracket.

For fixtures with cord options, make all cord supply wire connections in accordance with all local electrical codes. Skip to section 2.1.9. If cord not supplied with plug, use appropriate wet location strain relief fitting at junction box.



**Figure 3 – Mounting Bracket Engaged**

**2.1.4** Disengage all lens latches and unsnap the optical assembly by pulling it from the electrical assembly. The optical assembly will hang from a tether.

**2.1.5** For standard fixtures, luminaire is supplied with hole plugs at both ends. Remove plugs as needed while providing suitable 1/2" wet location fittings.

For fixtures supplied with fittings, ensure all openings are sealed with pipe sealant before proceeding.

**2.1.6** Make all supply wire connections in accordance with local electrical codes. For fixtures with PS1050 (EM) option, connect test switch connector to battery pack. Wire only un-switched power to battery pack. Emergency fixtures are supplied with a magnet for performing monthly emergency tests. Press magnet against red tape on outside of housing.

**2.1.7** Re-install optical assembly by snapping into housing and engage all lens latches, ensuring all leads are completely inside luminaire and not pinched.

**2.1.8** Ensure lens latches are fully engaged with lens and remove lens protective film.

**2.1.9** Energize power to the luminaire and check for proper operation.

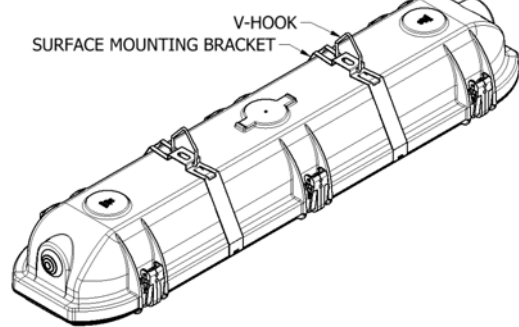


Figure 6 – Pendant Mounting

## 2.2 Chain mounting type (see figures 3-6 and 12)

**2.2.1** Attach Surface Mounting Brackets to fixture housing

**2.2.2** Attach V-hooks to Surface Mounting Brackets.

**2.2.3** Connect chain (customer supplied) to V-hooks.

Ensure chain can withstand four times the fixture weight.

**2.2.4** Disengage all lens latches and unsnap the optical assembly by pulling it from the electrical assembly. The optical assembly will hang from a tether.

**2.2.5** For standard fixtures, luminaire is supplied with hole plugs at both ends. Remove plugs as needed while providing suitable 1/2" wet location fittings for application.

For fixtures supplied with fittings, ensure all openings are sealed with pipe sealant before proceeding.

**2.2.6** Make all supply wire connections in accordance with local electrical codes. For fixtures with PS1050 (EM) option, connect test switch connector to battery pack. Wire only un-switched power to battery pack.

Emergency fixtures are supplied with a magnet for performing monthly emergency tests. Press magnet against red tape on outside of housing, location shown in figure 5.

**2.2.7** Re-install optical assembly by snapping into housing and engage all lens latches, ensuring all leads are completely inside luminaire and not pinched.

**2.2.8** Ensure lens latches are fully engaged with lens and remove lens protective film.

**2.2.9** Energize power to the luminaire and check for proper operation.

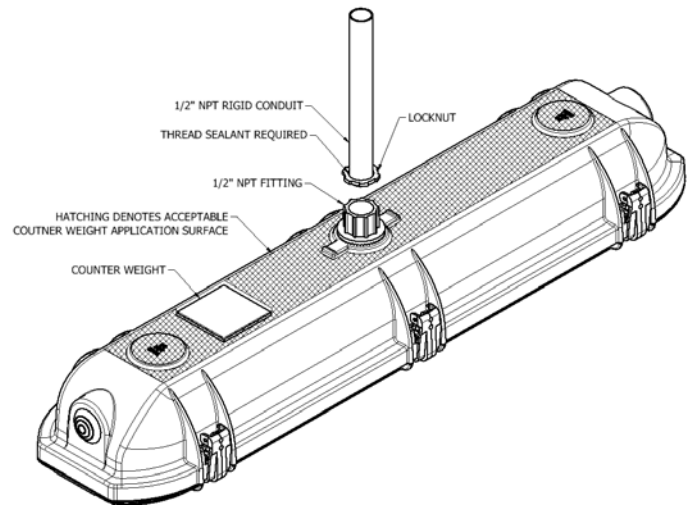


Figure 7 – Pendant Mounting

## 2.3 PMP4X Mounting type (Pendant Mono-point) (see figure 4 and 7)

**2.3.1** Install locknut and thread sealant to 1/2" NPT rigid conduit (customer supplied) prior to attaching luminaire. 1/2" NPT fitting is not to be removed from the fixture.

**2.3.2** Install luminaire onto conduit with a minimum of 3.5 turns and until tight, ensuring locknut does not engage fitting. Use a wrench to tighten fitting to conduit. **DO NOT USE FIXTURE TO TIGHTEN FITTING.**

**2.3.3** Tighten locknut until suitable engagement with fitting.

**WARNING**

**FAILURE TO TIGHTEN LOCKNUT COULD CAUSE LUMINAIRE TO FALL RESULTING IN INJURY, DEATH OR SERIOUS PROPERTY DAMAGE.**

**AVERTISSEMENT**

**NE PAS SERRER CORRECTEMENT LA CONTRE-ÉCROU PEUT PROVOQUER LA CHUTE DE LA FIXATION ET CAUSER DES BLESSURES, PROVOQUER LA MORT OU DE SÉRIEUX DOMMAGES MATÉRIELS.**

**2.3.2** Disengage all lens latches and unsnap the optical assembly by pulling it from the electrical assembly. The optical assembly will hang from a tether.

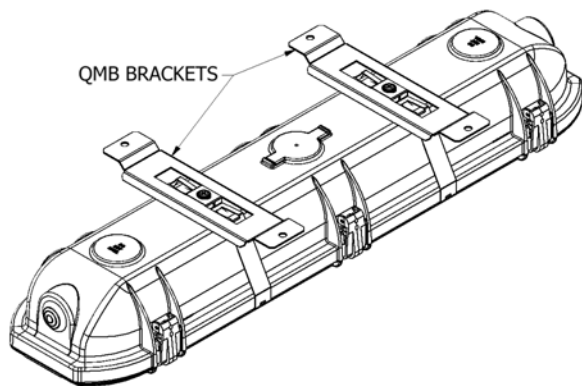
**2.3.3** Make all supply wire connections in accordance with all local electrical codes.

**2.3.4** Re-install optical assembly by snapping into electrical assembly and engage all lens latches, ensuring all leads are completely inside luminaire and not pinched.

**2.3.5** Ensure lens latches are fully engaged with lens and remove lens protective film.

**2.3.6** Energize power to the luminaire and check for proper operation.

**2.3.7** For non-rigid pendant mounting, counter balance weights are provided. See Figure 7 for acceptable flat installation surfaces. Counter weights provided with double sided tape. Remove tape backing and apply counterweight to housing top surface. Apply necessary quantity of counterweights (max 7) to level fixture. Ensure counterbalances are securely attached to housing.



**Figure 8 – Quick Installation Sub-Assembly**

**2.4 QMB Mounting type (Quick Mount Bracket)** (see figures 4, 5, 8, and 12)

**2.4.1** QMB fixture shipped with 2X QMB bracket pre-installed on fixture. Install fixture to ceiling or wall with

(4) #10 fasteners (customer supplied). Bracket can slide along housing to align with mounting structure.

For fixtures with cord options, make all cord supply wire connections in accordance with all local electrical codes. Skip to 2.4.7.

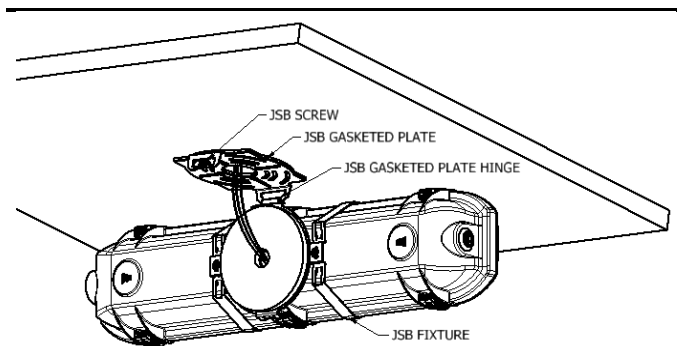
**2.4.2** Disengage all lens latches and unsnap the optical assembly by pulling it from the electrical assembly. The optical assembly will hang from a tether.

**2.4.3** Make all supply wire connections in accordance with all local electrical codes. For fixtures with PS1050 (EM) option, connect test switch connector to battery pack. Wire only un-switched power to battery pack.

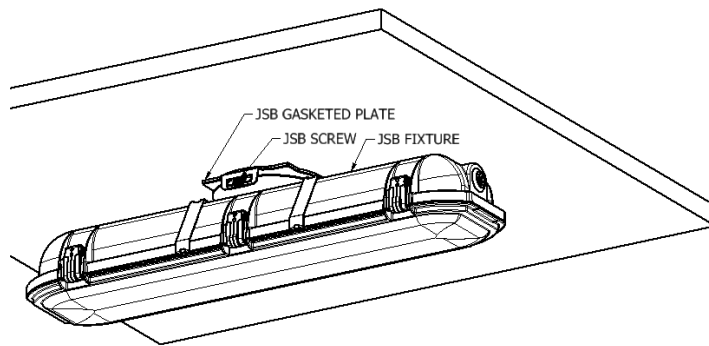
**2.4.4** Re-install optical assembly and engage all lens latches, ensuring all leads are completely inside luminaire and not pinched.

**2.4.5** Ensure lens latches are fully engaged with lens and remove lens protective film.

**2.4.6** Energize power to the luminaire and check for proper operation.



**Figure 9 – Junction Mount Pre-Assembly**



**Figure 10 – Junction Mount Type Assembled**

## 2.5 JSB Mounting type (Junction Mount Bracket)

(see figures 9 – 10)

**2.5.1** JSB fixture assembly is intended to be mounted to a 2", 3", or 4" Junction box. To retain fixture wet location listing, junction box should be wet location listed. JSB fixture assembly shipped with JSB fixture and mating JSB gasketed plate.

**2.5.2** Orient JSB gasketed plate for proper fixture orientation once fixture is installed. Attach JSB gasketed plate to Junction box with (4) #10 min fasteners (customer supplied).

**2.5.3** Hang JSB fixture on JSB gasketed plate hinge. JSB fixture supplied with supply wires extending from fixture. Make all supply wire connections in accordance with all local electrical codes.

**2.5.4** Remove JSB screw, then rotate JSB fixture until plates snap together. While rotating, feed supply wires in Junction box, ensure no wires are pinched between fixture gasket and JSB gasketed plate. Reinstall the JSB screw to ensure fixture is secure.

**2.5.5** Remove lens protective film

**2.5.6** Energize power to the luminaire and check for proper operation.

**3.1.3** Replace components using Lithonia approved replacement parts.

**3.1.4** Re-connect electrical leads

**3.1.5** Re-install optical assembly and engage all lens latches, ensuring all leads are completely inside luminaire and not pinched.

**3.1.6** Ensure lens latches are fully engaged with lens.

**3.1.7** Energize power to the luminaire and check for proper operation.

## 4.0 Limited Warranty and Limitation of Liability

5-year limited warranty. Complete warranty terms located at:

[www.acuitybrands.com/CustomerResources/Terms\\_and\\_Conditions.aspx](http://www.acuitybrands.com/CustomerResources/Terms_and_Conditions.aspx).

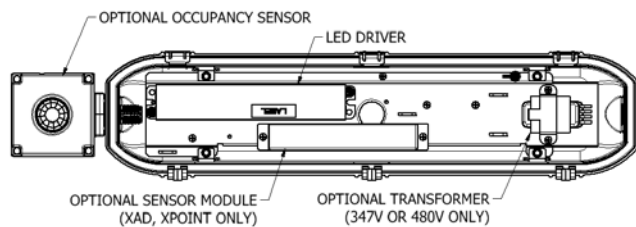


Figure 11 – Electrical Assembly

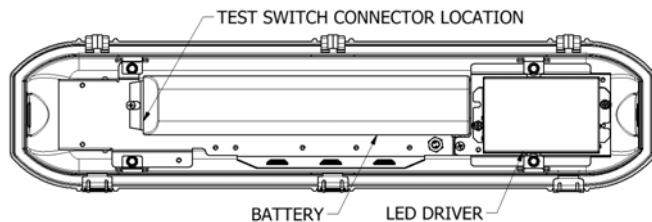


Figure 12 – Electrical Assembly - Emergency

## 3.0 Maintenance

**3.1 Electrical Component Replacement (Driver, Surge protector, internal controller)** (see figure 11 – 12)

**3.1.1** Disconnect power to the luminaire location before maintenance. Disengage all lens latches and unsnap the optical assembly by pulling it from the electrical assembly. The optical assembly will hang from a tether.

**3.1.2** Tag leads before disconnecting.

Page 6 of 6