



Wiremold

# Evolution™ Series Floor Box 50A Adapter Kit INSTALLATION INSTRUCTIONS

Installation Instruction No.: 1 010 786 – February 2012

Legrand/Wiremold electrical systems conform to and should be properly grounded in compliance with requirements of the current National Electrical Code or codes administered by local authorities.

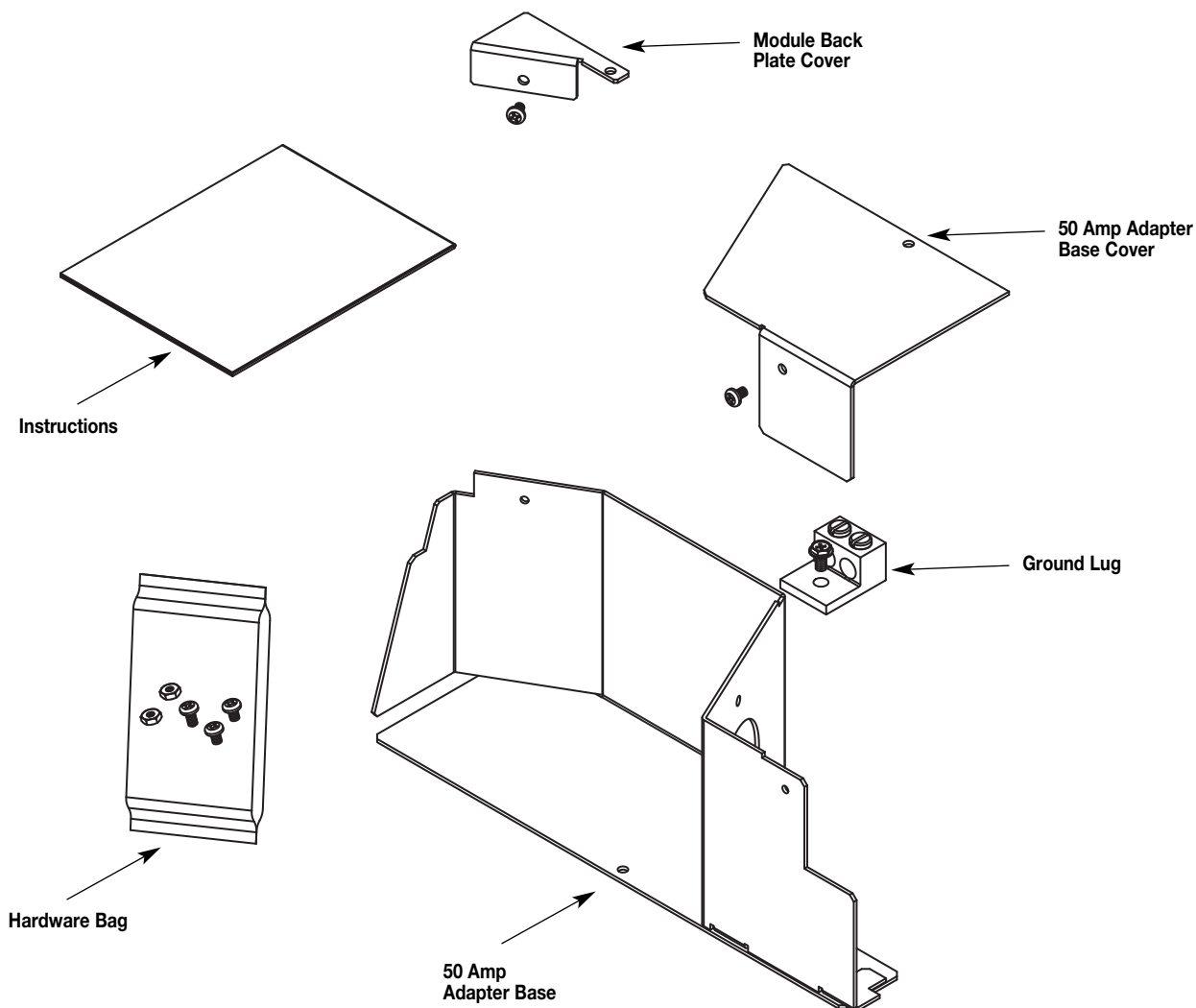
All electrical products may present a possible shock or fire hazard if improperly installed or used. Legrand/Wiremold electrical products may bear the mark of a Nationally Recognized Testing Laboratory (NRTL) and should be installed in conformance with current local and/or the National Electrical Code.

**IMPORTANT: Please read all instructions before beginning.**

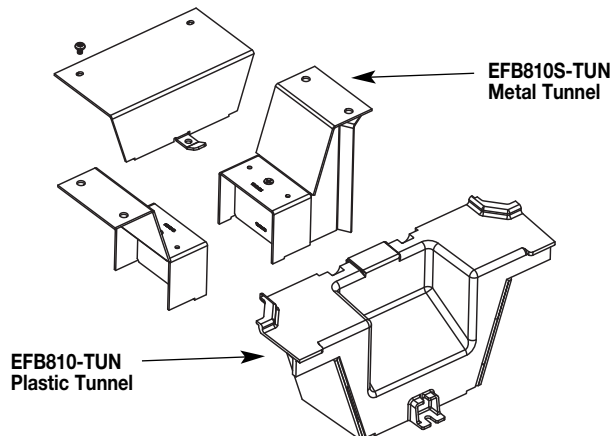
**PRODUCTS COVERED: EFB-50A**

**APPLICATIONS: EFB-50A is designed for use with Evolution™ Series Floor Box models: EFB8S, EFB8S-OG, EFB8S-FC, EFB10S, EFB10S-OG, EFB10S-FC**

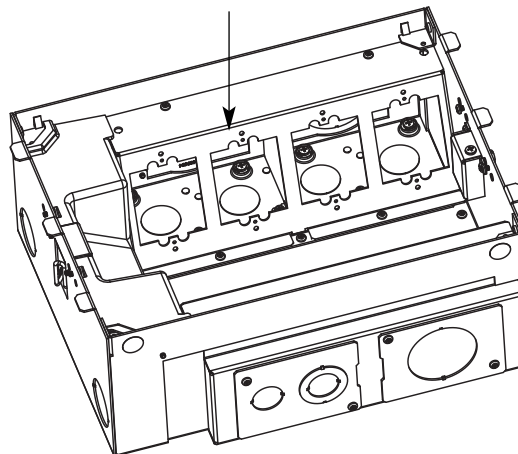
**EFB-50A KIT CONTENTS:**



**Step 1.** The EFB-50A Adapter will only work with the plastic tunnel (EFB810-TUN). If you have the metal tunnel (EFB810S-TUN), you will need to order the plastic tunnel (EFB810-TUN).

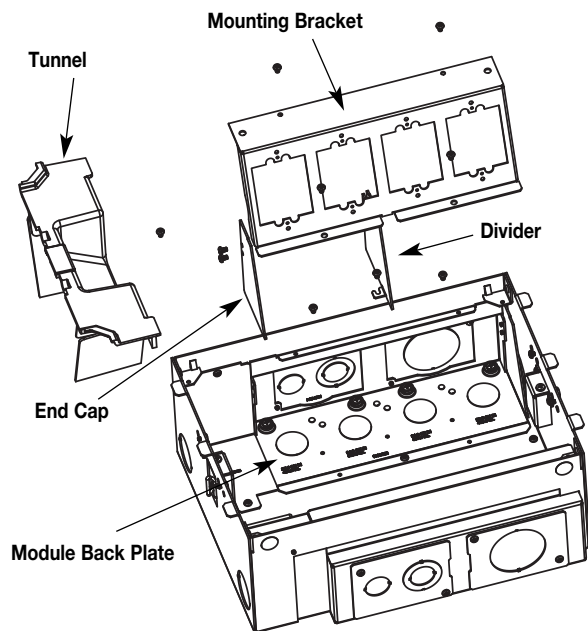


**Step 2.** The EFB-50A Adapter is directional and can only be used on the side shown.

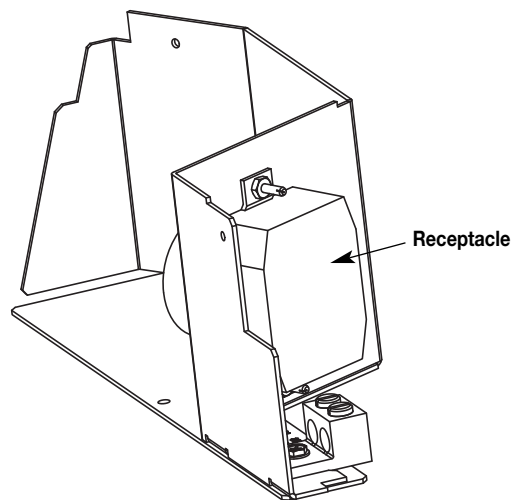


**NOTE:** 50A Device will be pointed at the tunnel (EFB810-TUN).

**Step 3.** Remove the tunnel, mounting bracket, divider, end cap closest to the tunnel, and extra divider screws.



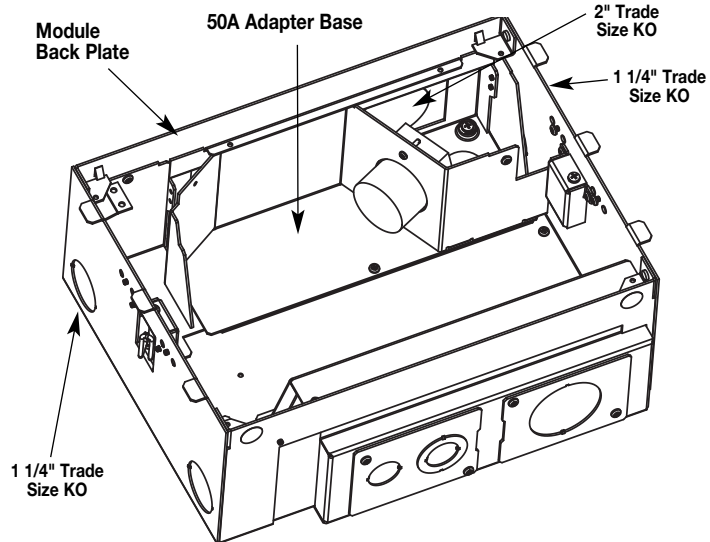
**Step 4.** Install the 50A receptacle (sold separately) to the 50A adapter base.



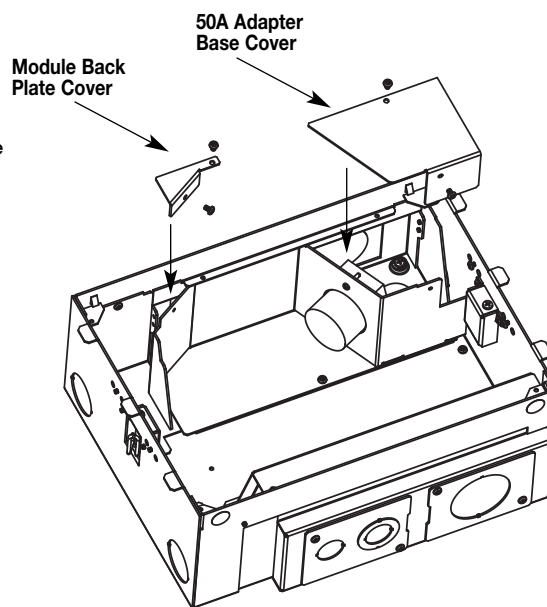
**NOTE:** Use two (2) hex nuts (included) to secure receptacle in place.

**NOTE:** Adapter is designed for 50A devices only.

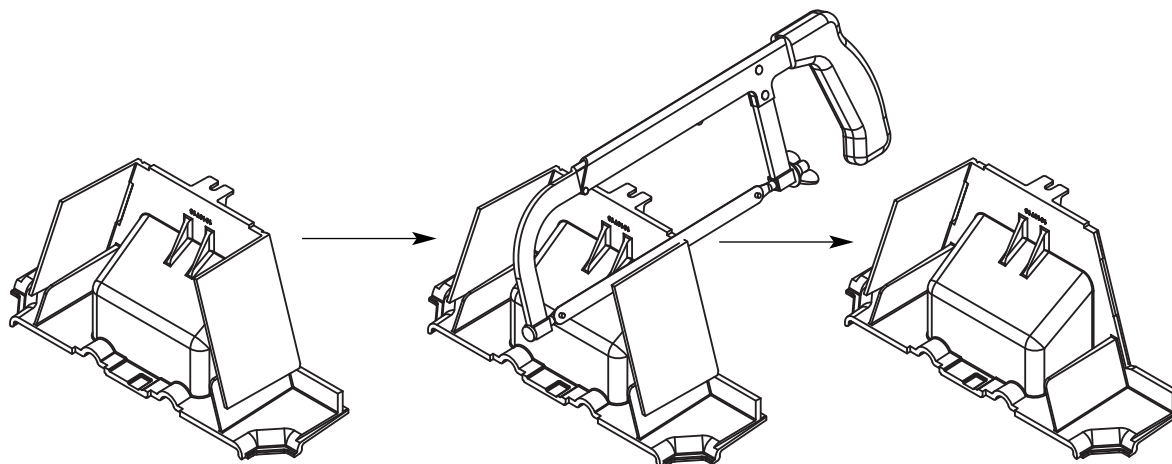
**Step 5.** Knock out the appropriate KO (See Below). Attach wires to the EFB-50A per National Electric Code using the provided ground lug (Not shown). Install 50A adapter base to the module backplate using the supplied white screw.



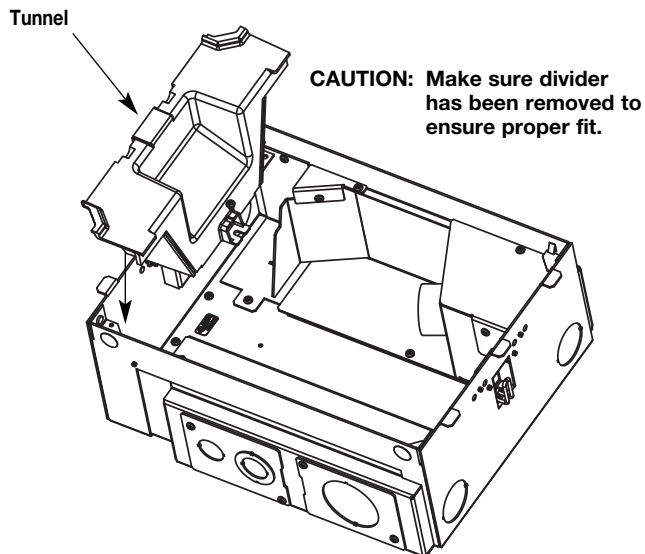
**Step 6.** Attach covers to the 50A adapter base and module back plate.



**Step 7.** Remove the tunnel divider on the side of the 50A adapter base. Cut off the divider shown at the score line with a hacksaw

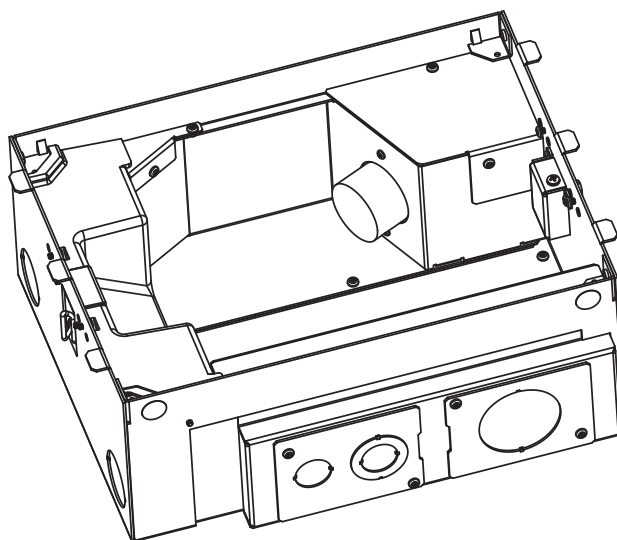


**Step 8.** Re-attach the tunnel cover.



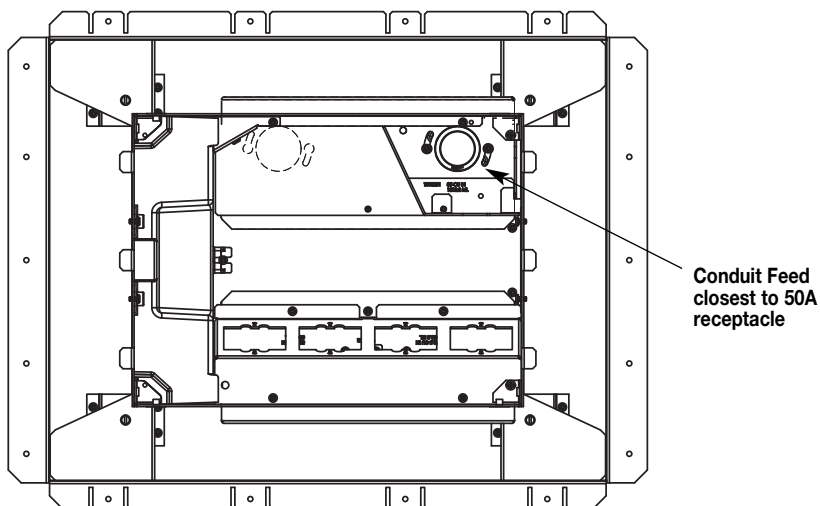
**NOTE:** To maintain the UL Listing, the tunnel must be installed when using the EFB-50A Adapter.

**Step 9.** Complete installation of box into the floor per the instruction sheet provided with Evolution™ Series Floor Box.



### SPECIAL NOTE WHEN USING EFB8S-FC OR EFB10S-FC

When wiring a fire classified box, the conduit feed closest to the 50 amp receptacle is the only one that can be used.



**Wiremold**

### WIREMOLD

#### U.S. and International:

60 Woodlawn Street • West Hartford, CT 06110  
1-800-621-0049 • FAX 860-232-2062 • Outside U.S.: 860-233-6251

#### Canada:

570 Applewood Crescent • Vaughan, Ontario L4K 4B4  
1-800-723-5175 • FAX 905-738-9721

