



**EDL-ADJ  
PROFESSIONAL LED  
RECESSED LIGHTING SYSTEM**



**IMPORTANT SAFETY INSTRUCTIONS**

**INSTRUCTIONS PERTAINING TO A RISK OF FIRE, ELECTRIC SHOCK, EXPOSURE TO EXCESSIVE UV RADIATION, OR INJURY TO PERSONS**

**GENERAL**

1. To insure the success of the fixture installation, the following instructions and diagram(s) should be read and understood. All electrical connections must be made in accordance with the National Electric Code and local codes and ordinances.  
**ONLY A QUALIFIED LICENSED ELECTRICIAN SHOULD INSTALL THIS FIXTURE**
2. **Eco-Downlight IC** housings are UL listed for damp locations and suitable for installation with properly installed insulation.
3. **DO NOT** use any other LED light engine other than the **TROYCSL-EDL-WW-2**
4. Insulation **may** be placed in direct contact with ANY part of the fixture.
5. Incandescent dimmer compatible

**SAVE THESE INSTRUCTIONS!**

**INSTALLATION PREPARATION:**

1. **TURN OFF THE ENTIRE ELECTRICAL CIRCUIT TO WHICH THE LIGHTING FIXTURE IS TO BE ATTACHED.**

Move the circuit breaker to the "OFF" position or completely remove the fuse controlling the circuit.

2. Mark the location of all fixtures in the layout. The hanger bars may be used on either sides of the housing to allow for the correct placement of the fixtures in most situations. If structural or mechanical elements interfere with the correct placement of the fixture it should be brought to the attention of a general contractor. **Changing the location of the fixtures may adversely affect the final room illumination or lighting effect and cause costly rework**

**NOTE: A 3-7/8" HOLE SAW IS RECOMMENDED FOR MAKING A CLEAN AND ACCURATE HOLE IN THE CEILING**

**FIXTURE HOUSING INSTALLATION**

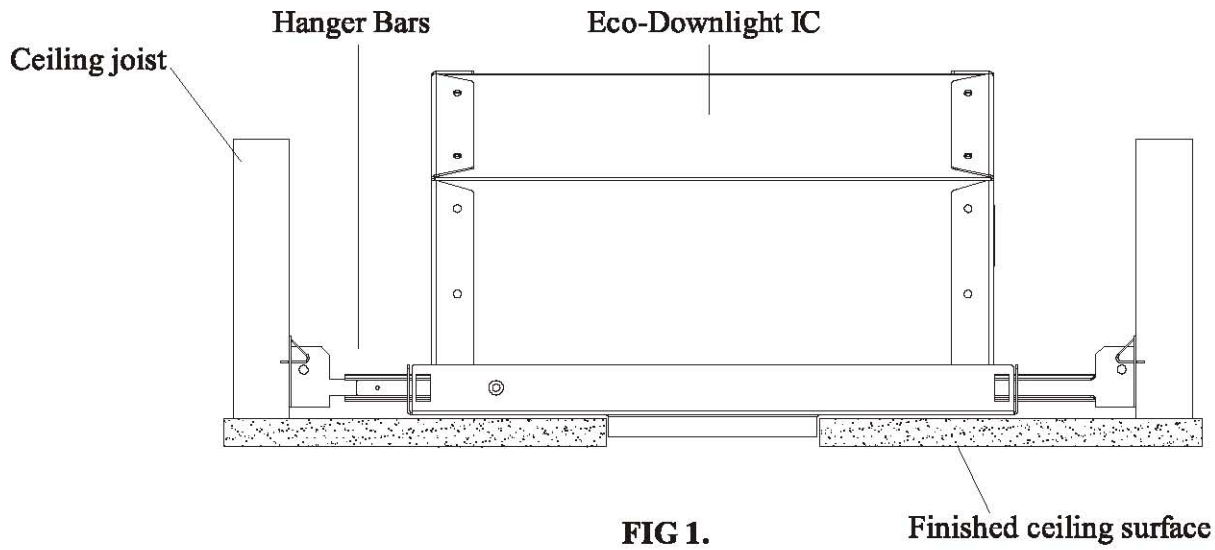
1. Securely mount the fixture housings to the building structure so that the bottom of the housing is even with the bottom surface of the joists or other supporting structures. **(FIG 1)**
2. Make all connections in accordance with NEC and local codes
3. Fasten ground wire to the green wire in the fixtures splice box using a UL approved wire nut. **NEVER FASTEN THE GROUND WIRE TO THE BLACK OR "HOT" WIRE!**
4. Fasten the white fixture lead to the white wire in the splice box. Fasten the wires together with an UL approved wire nut. Starting 1" below the wire nut, tightly wrap the connection with electrical tape so that the tape seals the end of the wire nut. **MAKE SURE THAT THERE IS NO EXPOSED WIRE OR STRANDS THAT COULD CAUSE A DANGEROUS SHORT CIRCUIT.**
5. Connect the black fixture lead to the black wire in the splice box. Fasten the joined wires as in step 4.

**FIXTURE INSPECTION OR REPAIR**

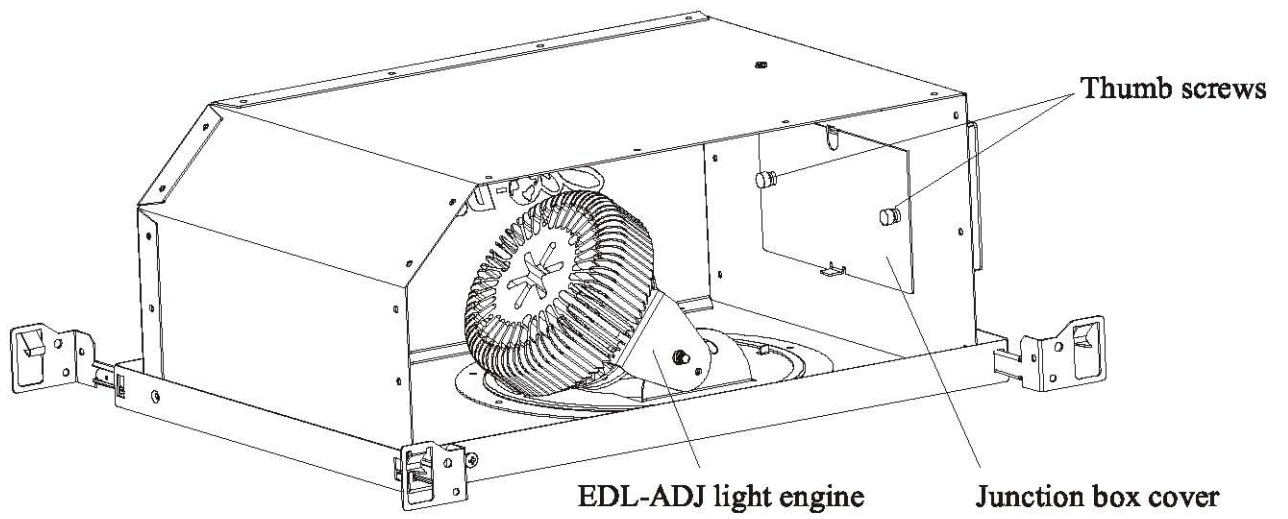
1. Tilt the light engine out of the way to access the driver compartment and the junction box **(FIG 2)**
2. The junction box cover can be removed by lifting the tab and pulling the cover back over the thumbscrews **(FIG 2)**
3. The driver can be removed by pulling it out from the snap-in bracket **(FIG3)**
4. All covers must be properly reinstalled before operation

**OPTIONAL EM PACK**

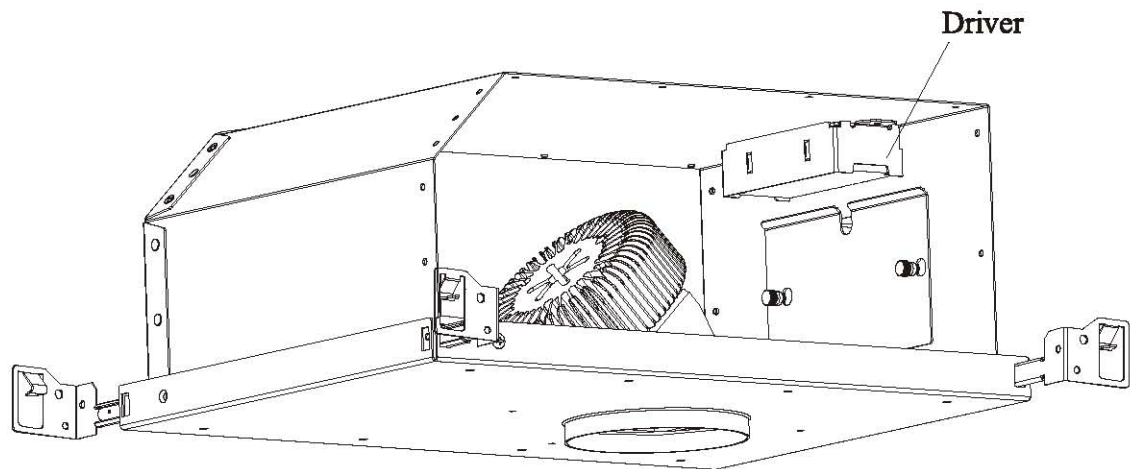
1. If factory installed you must have ceiling access to service the EM pack, otherwise remote mount the EM pack where it can be serviced when ceiling access is not available. **BODINE BSL23C TYPE 1 ONLY**
2. The wiring diagram included at the end of these instructions must be used. **DO NOT USE THE WIRING DIAGRAM INCLUDED WITH THE EM PACK**



**FIG 1.**



**FIG 2.**



**FIG 3.**

**BODINE BSL23C-1 ONLY**

