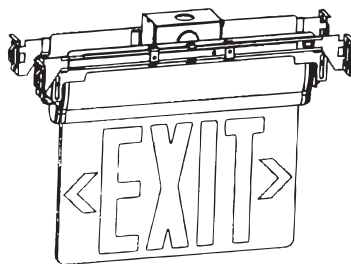


SAVE THESE INSTRUCTIONS!
READ CAREFULLY AND FOLLOW ALL INSTRUCTIONS FOR YOUR OWN SAFETY

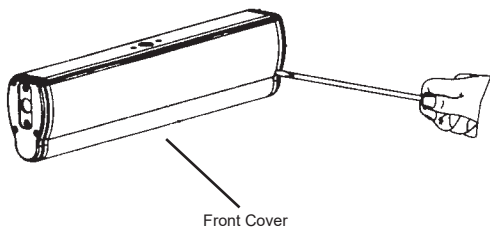
- **DISCONNECT AC POWER SUPPLY BEFORE SERVICING.**
- Installation and servicing of this equipment should be performed by qualified service personnel only.
- Ensure the electricity connections conform to the National Electrical Code and local regulations if applicable.
- Do not mount near gas or electrical heaters.
- Equipment should be mounted in locations and at heights where it will not readily be subjected to tampering by unauthorized personnel.
- The use of accessory equipment not recommended by the manufacturer may cause an unsafe condition. Any modification or use of non-original components will void the warranty and product liability.
- Do not use this equipment for other than intended use.



INSTALLATION INSTRUCTIONS

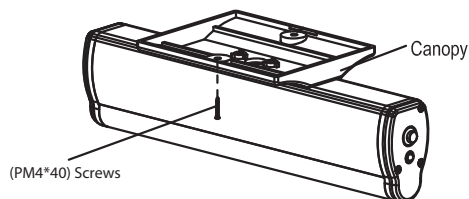
Surface Ceiling & Wall Mounting

1. Use screwdriver to open front cover to connect battery connector.



2. Feed AC supply wires through canopy center hole and crossbar center hole.

3. Assemble canopy onto main body assembly with (2) PM4*40 screws (supplied) and make proper wire connections.

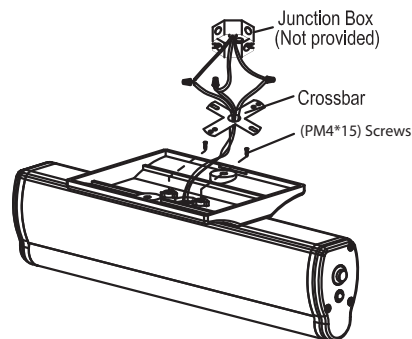


4. Electrical connections should be made inside junction box. Cap all unused leads to prevent shorting.

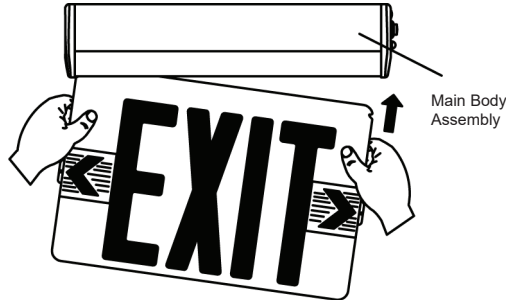
- For 120VAC connect the black and white wires to the building utility.
- For 277VAC connect the orange and white wires to the building utility.

5. Attach crossbar to junction box, using screws if needed. (Screws not provided)

6. Use (2) PM4*15 screws (supplied) to tighten canopy to crossbar.

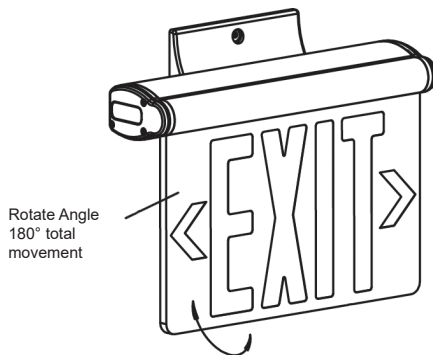


7. Insert EXIT panel into main body assembly gently. If EXIT panel is for single face, make sure EXIT letter direction is correct.



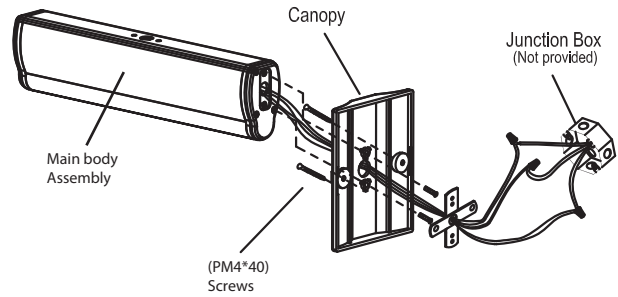
Note: Refer to Chevron Placement section.

8. The EXIT panel may rotate any angle with 180° total movement.



Surface End Mounting

1. Use screwdriver to open front cover to connect battery connector.
2. Remove the hole plug from mounting end cap.
3. Pull out AC supply wires and feed wires through the center hole of mounting end cap and center hold of cross bar.
4. Assemble canopy onto main body assembly with (2) PM4*15 screws (supplied) and make proper wire connections.



5. Electrical connections should be made inside junction box. Cap all unused leads to prevent shorting.

- For 120VAC connect the black and white wires to the building utility.
- For 277VAC connect the orange and white wires to the building utility.

6. Attach crossbar to junction box, using screws if needed. (Screws not provided)

7. Use (2) PM4*40 screws (supplied) to tighten canopy to crossbar.

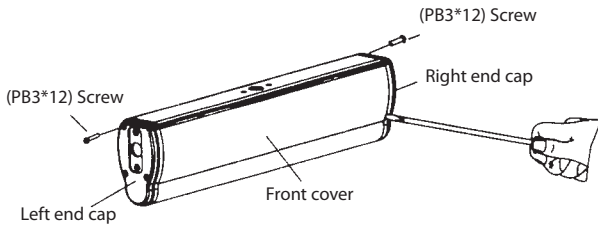
8. Insert EXIT panel into main body assembly gently. If EXIT panel is for single face, make sure EXIT letter direction are correct.

Note: Refer to Chevron Placement section.

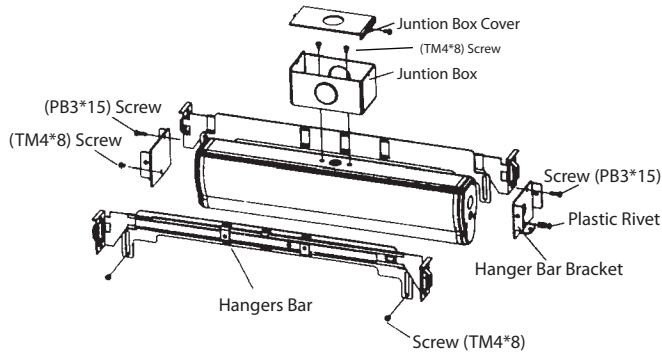
9. The EXIT panel may rotate any angle with 180° total movement.

Recessed Ceiling Mounting

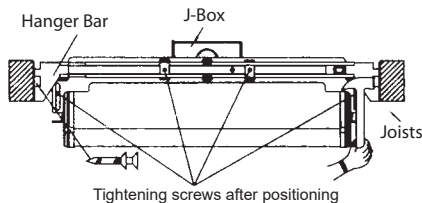
1. Use Screwdriver to open front cover to connect battery connector. Remove test switch and LED indicator and set aside for use at step 8.
2. Feed AC supply wires through canopy center hole.
3. Remove (1) PB3*12 screw from top of left and right end caps.



4. Remove junction box cover and mount junction box case on enclosure, use (2) TM4*8 screws. Feed AC supply wire into junction box. Attach hanger bar brackets using (2) PB3*15 and (2) TM4*8 screws. Attach hanger bars to hanger bar brackets using (4) TM4*8 screws.



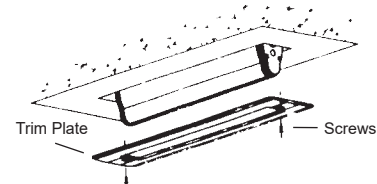
5. Position hanger bar bracket and hangers bar between joists. Make sure hangers bar are oriented in the correct position, then secure permanently with nails. Hangers bar should be level with bottom of joists.



6. Adjust height of recessed kits vertically using adjusting slots and then tighten all screws on adjusting slots and hanger bar bracket.
7. Electrical connections should be made inside junction box. Cap all unused leads to prevent shorting.

- For 120VAC connect the black and white wires to the building utility.
- For 277VAC connect the orange and white wires to the building utility.

8. Connect test switch connector and LED indicator cables via connectors.
9. Secure trimplate by using provided screws.



10. Insert EXIT panel into main body assembly gently. If EXIT panel is for single face, make sure EXIT letter direction is correct.

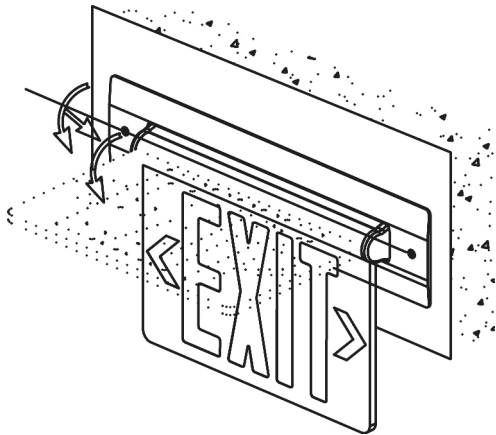


Note: Refer to Chevron Placement section.

11. The EXIT panel may rotate any angle with 180° total movement.

Recessed Wall Mounting

1. Reference 1-16 steps in recessed ceiling mounting for recessed wall mounting.
2. Recessed ceiling mounting rotated 90° becomes recessed wall mounting.



Chevron Placement

- If chevron is needed remove only the instruction film.
- If no chevron is needed, remove both the instruction film and chevron together.

