

IMPORTANT SAFETY/OPERATING INSTRUCTIONS

1. Read and save all instructions.
2. Do not install this Trac in wet locations.
3. Do not install any fixture assembly closer than 6 inches from any curtain or similar combustible material.
4. Trac intended to be connected to 12 volt secondary of an isolated type transformer supply.
5. Use only fixtures and fittings intended for use with Juno TLV series Trac.
6. Do not exceed 20 amp capacity of Trac (240 watts at 12 volts).
7. Reference local electrical/building codes for approved wiring techniques.

TRAC INSTALLATION

A. Installing Trac 12 using standard endfeed connector:

1. Attach Trac to mounting surface using #6 toggle bolts or wood screws (supplied) at 12" intervals.
2. Remove endfeed cover and loosen terminal block set screws.
3. Insert 12 volt supply wire from transformer secondary and tighten set screws. Tighten screws to a torque at 7 in/lb. minimum. (Do not use wire smaller than No. 12 AWG).
4. If wire is being fed in from end, carefully remove center breakout tab from cover and re-install onto endfeed.

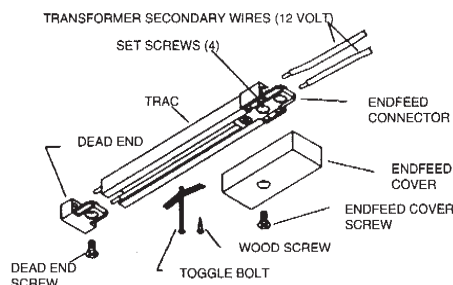
Note: See separate instructions for installing Trac in conjunction with TL34 conduit feed. TL21 outlet box canopy, or in-line with TL546/TL547 transformers.

B. Joining Trac sections:

1. Remove dead end from first Trac.
2. Remove endfeed cover from second Trac.
3. Insert end of first Trac attachment screw and terminal block set screws over buss bars. Tighten screws to a torque at 7 in/lb. minimum.
4. Break out end of cover and re-install onto connector.

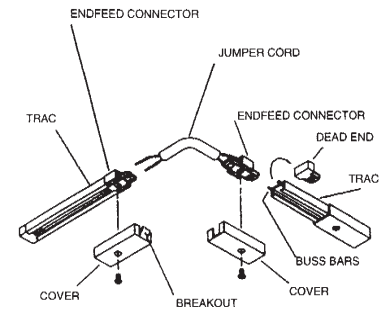
C. Field cutting instructions:

1. Remove dead-end and endfeed connector.
2. Loosen endfeed Trac attachment screw and pull out endfeed so buss bars pass point where Trac will be cut.
3. Cut Trac with fine-tooth hack saw, slide endfeed with buss bars back into Trac and re-tighten Trac attachment screw.
4. Using side-cutters, cut buss bars 1/4" longer than Trac and re-install dead-end or desired connector.



TL20 Adjustable Joiner

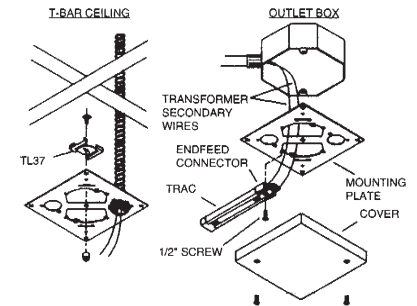
1. Remove dead-end from Trac.
2. Slide TL20 endfeed connector into Trac over buss bars. Tighten endfeed Trac attachment screw and terminal block set screws.
3. Secure TL20 cover to TL20 endfeed connector.
4. Remove cover from endfeed of other Trac and attach jumper cord wires using terminal block set screws. Tighten screws to a torque of 7 in/lb. minimum.
5. Carefully remove center breakout from endfeed cover and secure cover onto endfeed connector.



TL21 Outlet Box/T-Bar Ceiling Feed

A. Feeding Trac from outlet box:

1. Attach mounting plate in outlet box.
2. Remove and discard cover from endfeed connector and mount endfeed connector to mounting plate using 1/2" screw.
3. Mount Trac to ceiling.
4. Attach secondary transformer wires to end feed connector using set screws. Tighten screws to a torque at 7 in/lb. minimum.
5. Secure cover to mounting plate (if feeding more than one (1) Trac, carefully remove the corresponding breakout in canopy).

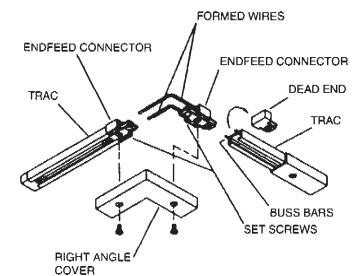


B. Feeding Trac in T-bar Ceiling:

1. Attach TL37 T-bar clip (ordered separately) to T-bar runner, and then install mounting plate to TL37.
2. Secure secondary wires to mounting plate using 1/2" conduit or BX fitting (not supplied).
3. Mount Trac to ceiling using TL37 T-bar clips at 12" intervals. To complete installation, follow steps 4 & 5 described above.

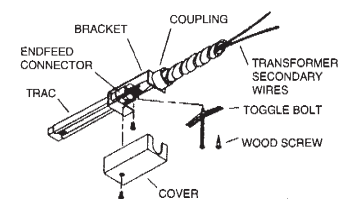
TL24 Right Angle Joiner

1. Remove dead-end from Trac.
2. Slide TL24 endfeed connector into Trac over buss bars. Tighten endfeed Trac attachment screw and terminal block set screws.
3. Remove cover from endfeed of other Trac.
4. Slide formed wires into endfeed connector and tighten set screws. Tighten screws to a torque of 7 in/lb. minimum.
5. Secure right angle cover onto both endfeed connectors.



TL34 Conduit Feed

1. Fasten conduit or BX to bracket either through end knockout with coupler fitting (supplied) or through top knockout with standard conduit or BX fitting (not supplied).
2. Fasten bracket to mounting surface.
3. Remove and discard endfeed cover from Trac endfeed connector.
4. Fasten endfeed connector to bracket with screw, and mount Trac to ceiling.
5. Attach secondary transformer wires to endfeed connector using set screws. Tighten screws to a torque of 7 in/lb. minimum.
6. Secure cover to bracket.





INSTALLATION INSTRUCTIONS

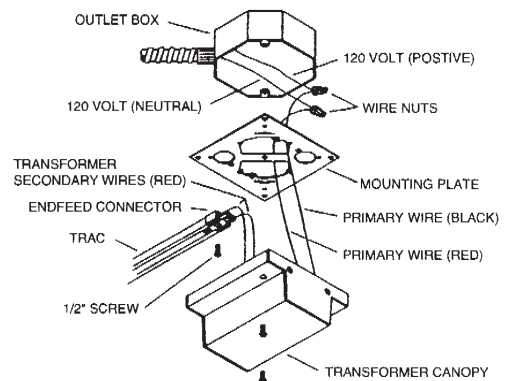
For Juno TL546/TL566 LED and TL547/TL567 LED ELECTRONIC Transformers

IMPORTANT SAFETY/OPERATING INSTRUCTIONS

1. Do not install TL547/TL567 LED surface transformer in hot attics or in confined or unventilated areas which may entrap heat.
2. Do not install TL547/TL567 LED surface transformer more than 5 feet from Trac. (For distances more than 5 feet, use TL549 magnetic transformer).
3. TL546/TL566 LED & TL547/TL567 LED electronic transformers will automatically shut-off in the event of a short circuit on the secondary. Normal operation will resume when short circuit is corrected.
4. TL546/TL566 LED & TL547/TL567 LED electronic transformers will automatically shut-off or dim lamps if more than 150 watts of lamps are installed on trac. Normal operation will resume when wattage is reduced.
5. TL546 and TL547 electronic transformers require at least a 50 watt load to function properly.
6. TL546/TL566 LED & TL547/TL567 LED electronic transformers may be dimmed using most better quality standard incandescent dimmers. (**Note:** Under certain conditions, use of ELV dimmers specifically designed for use with electronic transformers may be required to circumvent "cross-talk interference" or audible noise problems).

A. TL546 150VA/TL566 LED 100VA CANOPY TRANSFORMER

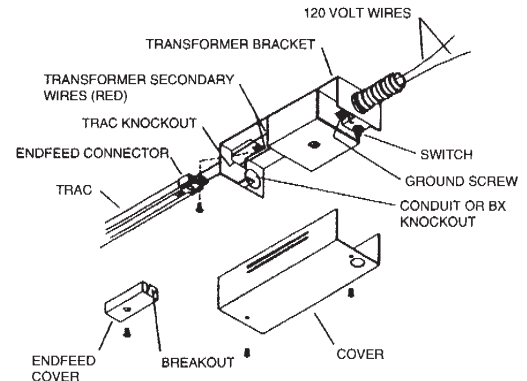
1. Attach mounting plate to outlet box.
2. Remove and discard cover from Trac endfeed and mount Trac to mounting plate using 1/2" screw.
3. Attach Trac to ceiling with toggle bolts or wood screws.
4. Attach transformer primary wires (black & white) to branch circuit wires with wire nuts.
5. Fasten transformer secondary wires (red) to endfeed connector using set screws. Tighten screws to a torque of 7 in/lb. minimum.
6. Secure canopy cover to mounting plate.



TL546, TL566 LED CANOPY TRANSFORMER

B. TL547 150VA/TL567 LED 100VA SURFACE TRANSFORMER

1. Remove cover and mount transformer bracket.
2. Attach 120 volt supply to switch end of bracket with 1/2" conduit fitting (by others).
3. Attach positive wire to available switch wire using wire nut.
4. Attach neutral wire to transformer neutral (white) using wire nut.
5. Fasten ground wire to green ground screw on bracket.
6. Remove cover from Trac endfeed.
7. If mounting transformer separately from Trac, use (2) No. 12 AWG 300 Volt minimum wires and attach one to each of the transformer secondary wires (red) with wire nuts. Attach the other ends to the Trac endfeed connector using terminal block set screws. Tighten screws to a torque of 7 in/lb. minimum.
If mounting transformer inline with Trac, remove rectangular Trac knockout. Attach transformer secondary wires (red) to endfeed using set screws. Tighten screws to a torque of 7 in/lb. minimum. Attach Trac endfeed to transformer bracket.
8. Secure cover onto transformer bracket.



TL547, TL567 LED SURFACE TRANSFORMER

WARRANTY

Limited warranty located at:

www.acuitybrands.com/CustomerResources/Terms_and_conditions.aspx

Technical Services Phone (888) 387-2212

