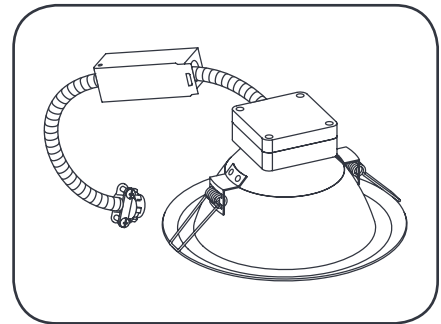


Lumination™ LED Luminaire

LRX Series



BEFORE YOU BEGIN

Read these instructions completely and carefully.

⚠ WARNING/AVERTISSEMENT

RISK OF FIRE OR ELECTRIC SHOCK

- Turn power off before inspection, installation or removal.
- Install this kit only in the luminaires that has the construction features and dimensions shown in the photographs and/or drawings.
- Installation of this retrofit assembly requires a person familiar with the construction and operation of the luminaire's electrical system and the hazard involved. If not qualified, do not attempt installation. Contact a qualified electrician.
- To prevent wiring damage or abrasion, do not expose wiring to edges of sheet metal or other sharp objects.
- Do not make or alter any open holes in an enclosure of wiring or electrical components during kit installation.

RISQUES D'INCENDIE OU DE DÉCHARGES ÉLECTRIQUES

- Coupez l'alimentation avant d'inspecter, installer ou déplacer le luminaire.
- Risques d'incendie ou choc L'installation de trousse de mise à niveau au DEL nécessite des connaissances des systèmes électriques d'éclairage.
- Risque d'incendie ou d'électrocution. N'installez cette trousse que sur des luminaires qui ont les caractéristiques de construction et les dimensions telles que montrées sur les photographies et dessins présentés.
- Pour prévenir les dommages ou l'abrasion de fils électriques, ne pas exposer les fils aux arêtes de pièce de tôle ou n'importe quels autres objets tranchant.
- Ne pas percer ou altérer les trous d'un boîtier contenant fil ou composant électrique durant l'installation.

⚠ CAUTION/ATTENTION

- Fixture may fall down if not installed properly, follow installation instructions.
- Wear safety glasses and proper aid during installation and maintenance.
- Use only UL certified wire, wire connectors, minimum 18AWG, minimum rated 75°C.

- Le luminaire peut tomber s'il n'est pas installé correctement, suivre les instructions d'installation.
- Porter des lunettes de sécurité et les aides appropriées lors de l'installation et de l'entretien.
- N'utilisez que des fils approuvés par UL pour les entrées/sorties de connexion. Calibre minimum 18 AWG (0.75mm²) et température minimale de 75°C.

Save These Instructions

Use only in the manner intended by the manufacturer. If you have any questions, contact the manufacturer.

NOTE: LRX products are suitable for indoor covered ceiling wet location applications. Les produits de LRX sont appropriés pour les endroits humides couverts au plafond.

The retrofit kit is accepted as a component of a luminaire where the suitability of the combination shall be determined by UL or authorities having jurisdiction.

Wear work gloves to prevent dirt and oil from being transferred to the luminaire.

current
powered by GE



Fixture Requirements

The LED retrofit luminaire must be connected to the mains supply according to its ratings on the product label.

Prepare Electrical Wiring



Electrical Requirements

- The luminaire LRX*****MD** must be supplied with 120-277VAC, 50/60 HZ.
- The luminaire LRX*****PH** must be supplied with 120VAC 50/60 HZ.
- Connected to an individual properly grounded branch circuit, protected by a 15 or 20 ampere circuit breaker. Use min. 75°C supply conductor.



Grounding Instructions

The grounding and bonding of the overall system shall be done in accordance with National Electric Code (NEC) Article 600 and local codes.

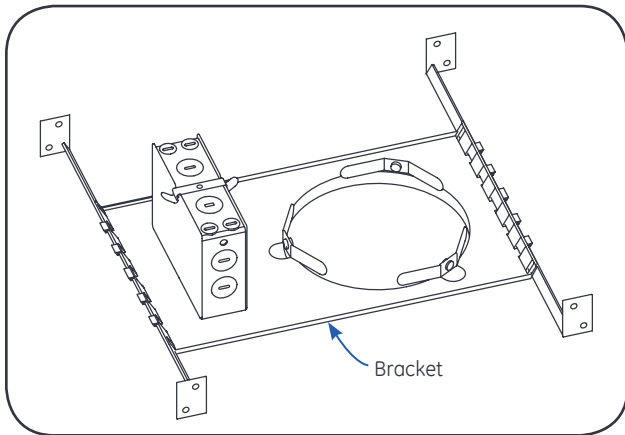
Provided Components

The components have been properly packed to avoid damage during transit. Inspect the components to confirm there is no physical damage. Do not install damaged components.

Component List

- Retrofit Kit
- Installation Instructions

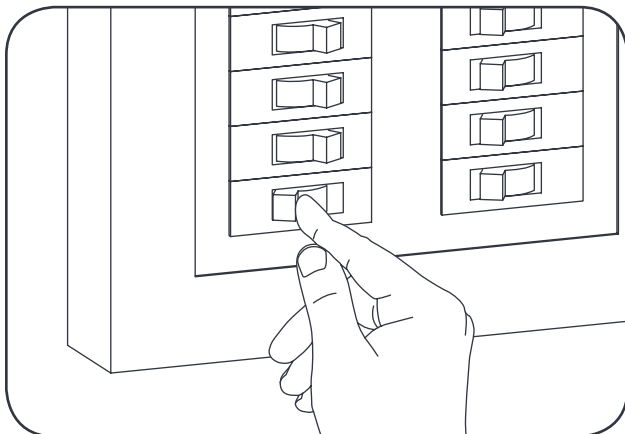
Luminaire Installation



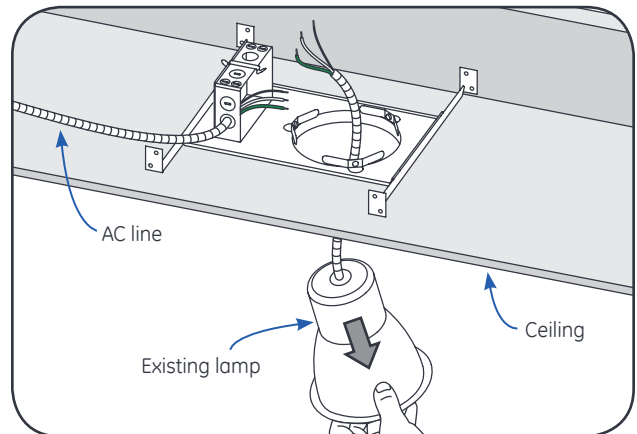
Only demo with LRX Round product.

- 1 Before retrofit, verify that the junction box and bracket in the existing installation are metal and are constructed similarly to the illustration at left.

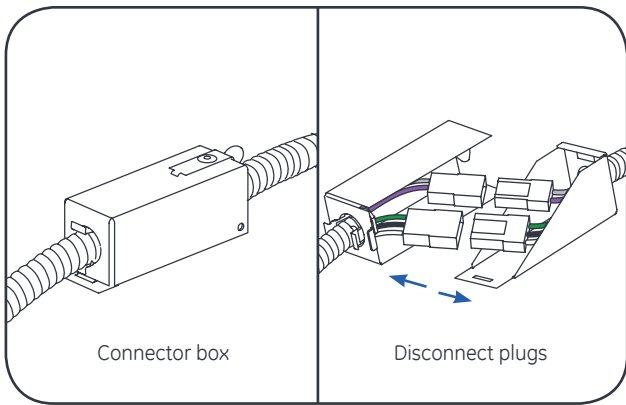
Suitable Frame Size (in.)	Shape	Bracket Dimensions (in.)	Hole Size (in.)	Suitable Fixture
4	Round	12.60 x 7.64 x 3.54	4.20-5.50	LRXR4xxxxxxx
6	Round	12.60 x 7.64 x 3.54	5.91-6.50	LRXR6xxxxxxx
8	Round	15.55 x 11.34 x 3.54	7.68-8.27	LRXR8xxxxxxx
4	Square	12.60 x 7.64 x 3.54	4.20-5.50	LRXS4xxxxxxx
6	Square	13.35 x 11.34 x 3.54	5.95-7.50	LRXS6xxxxxxx
8	Square	13.35 x 11.34 x 3.54	7.95-9.50	LRXS8xxxxxxx



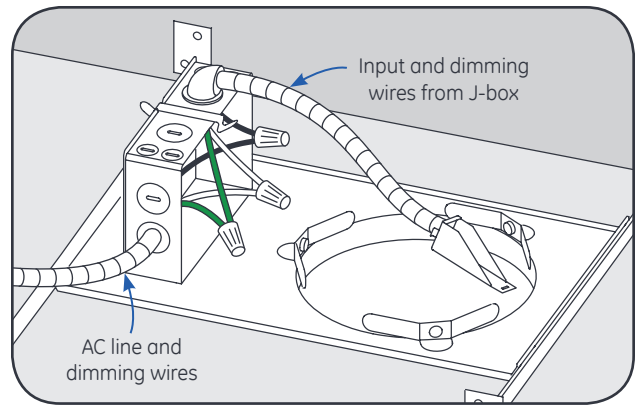
- 2 Ensure that the power to the unit is turned off. Use proper lockout and tagout procedures.



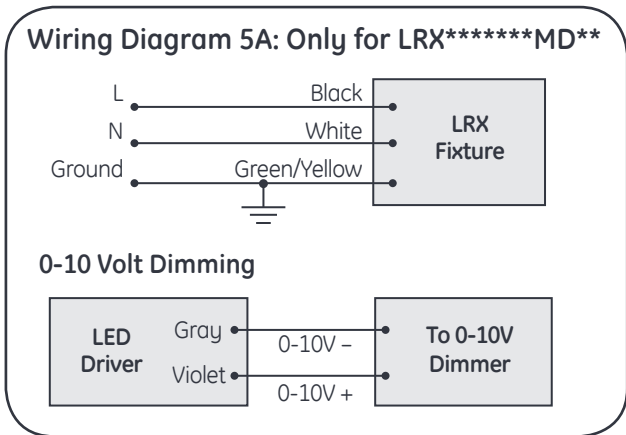
- 3 Remove existing lamps, fixture and ballast. Leave wiring in junction box. Verify that the AC supply line is provided with a ground wire connected to the luminaire.



4 Disassemble the connector box and unplug the two quick connectors inside.

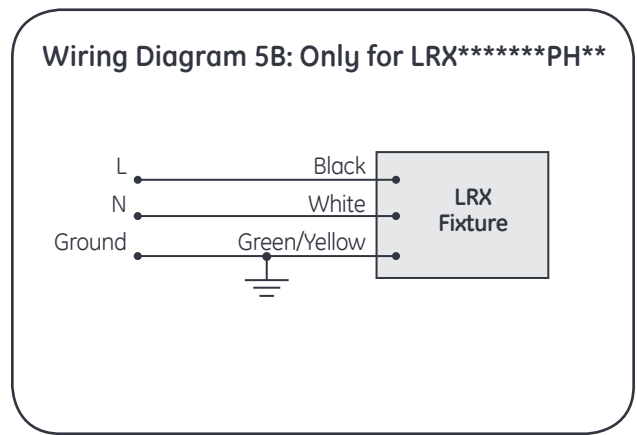


5 Connect conduit end with input leads to existing junction box and make proper connections. Connect the black, white, and green/yellow wires of the input leads to the black, white and green wires using twist-on wire connectors and close junction box.



Optional dimmer: When connecting with dimming controller, wires must be run through another separate knockout hole. Connect the violet (dimming +) and gray (dimming -) wires to the violet and gray wires of the fixture.

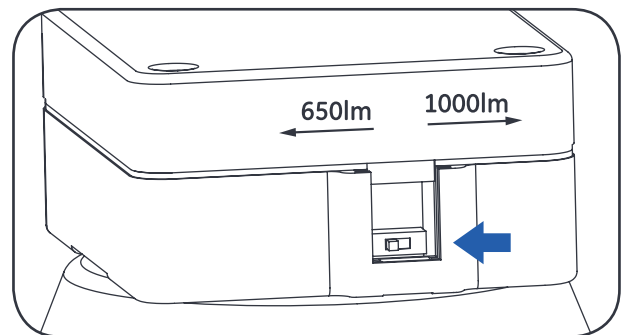
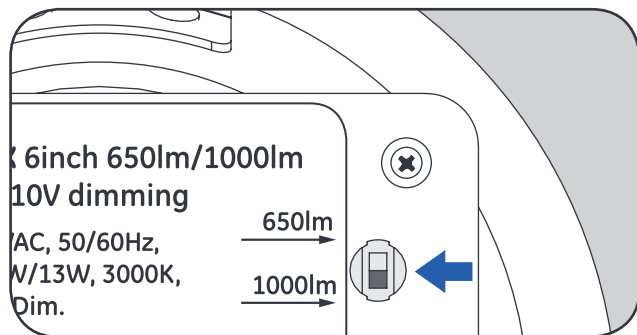
NOTE: Please cover dimming leads with wire nuts if you won't connect with dimming leads.



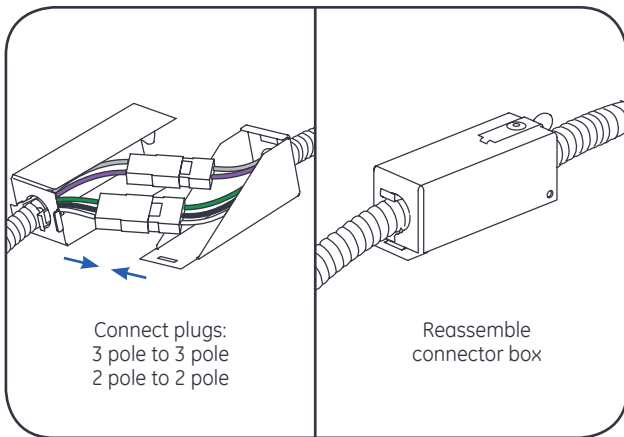
NOTE: Phase cut dimmer has to be fixed on hot line (L). Dimming compatibility refer to GE website.

Dimming compatibility for both 0-10V and phase cut, please refer to GE website: www.gelighting.com/dimming.

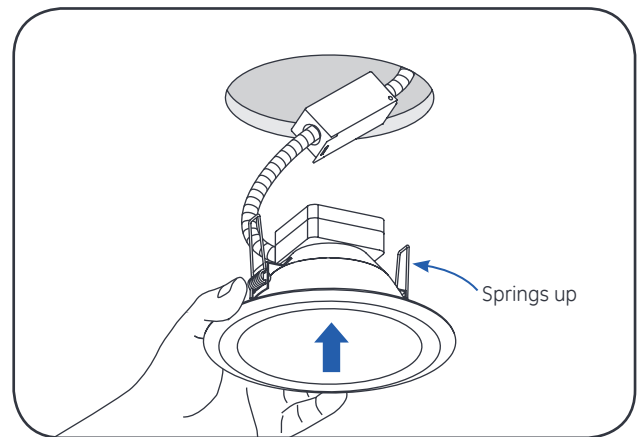
Lumens Setting Switch



NOTE: For 1000/650lm and 4000/3000lm, default output lumen is 1000lm and 4000lm respectively. Push switch up or left to activate 650lm and 3000lm respectively.



- 6** Connect the two quick connectors and reassemble the connector box.



- 7** Load springs into upright position by twisting the springs upward and carefully insert the fixture to the hole of the frame. Verify reflector trim is flush with ceiling.

⚠ CAUTION/ATTENTION

RISK OF PERSONAL INJURY - Operators shall ensure no appendages are in the path of the torsion springs as they are a pinch hazard when released. The springs will release when the arm is flexed downward. Be cautious that no body part is in the path of the spring when released.

RISQUE DE BLESSURE CORPORELLE - Les techniciens veilleront à ce qu'aucun appendice ne se trouve sur le chemin des ressorts de torsion, car ils présentent un risque de pincement lorsqu'ils sont libérés. Les ressorts seront libérés au moment de fléchir le bras vers le bas. Faites attention à ce qu'aucune partie du corps ne se trouve sur le chemin du ressort à sa libération.

This device complies with Part 15 of the FCC Rules. Operation is subject to the following two conditions: (1) This device may not cause harmful interference, and (2) this device must accept any interference received, including interference that may cause undesired operation.
CAN ICES-005 (A) / NMB-005 (A)

Note: This equipment has been tested and found to comply with the limits for a Class A digital device, pursuant to part 15 of the FCC Rules. These limits are designed to provide reasonable protection against harmful interference when the equipment is operated in a commercial environment. This equipment generates, uses, and can radiate radio frequency energy and, if not installed and used in accordance with the instruction manual, may cause harmful interference to radio communications. Operation of this equipment in a residential area is likely to cause harmful interference in which case the user will be required to correct the interference at his own expense.



All trademarks are the property of their respective owners. Information provided is subject to change without notice. All values are design or typical values when measured under laboratory conditions. Current, powered by GE is a business of the General Electric Company.
© 2018 GE.

