

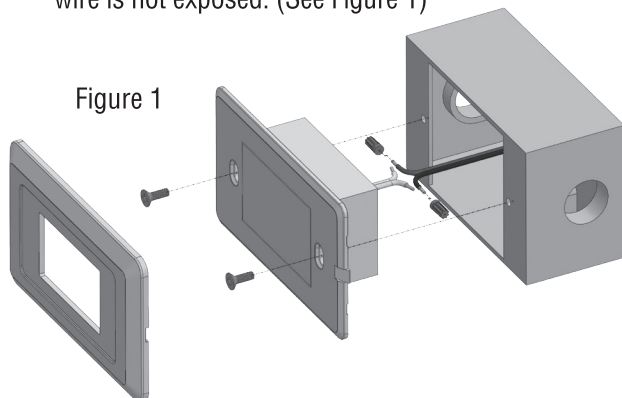
## WIRING AND MOUNTING INSTRUCTIONS

**CAUTION!** Only qualified electricians or people familiar with household electrical circuits should bring 120VAC power to the fixture. Wiring may require an inspection by local authorities building department. Check with your local building department before installation.

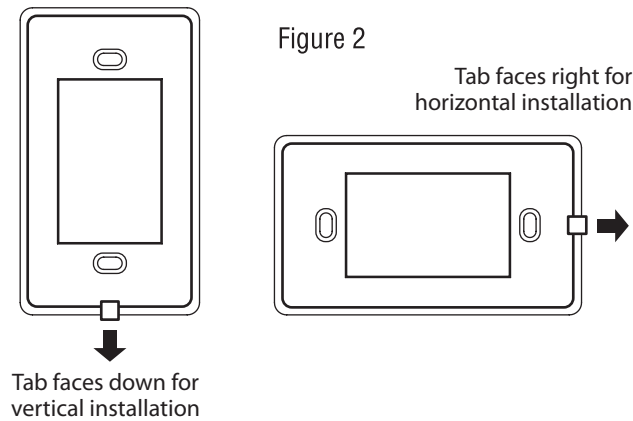
**CAUTION!** Before bringing 120VAC power to the fixture, make sure incoming wire is not “hot” and all power coming to the wire is off.

**CAUTION!** All connections must be made in accordance with this instruction manual, current NEC / CEC and all local building codes. Minimum 90C supply conductors.

1. LED Switch Star mounts to a standard (indoor or outdoor) 2" x 4" junction (switch) box with mounting screws provided. Suitable for raceway supported boxes.
2. Do not mount LED Switch Star to a box that contains telephone, data or TV antenna circuits.
3. Strip 1/3" (8mm) of the insulation off each incoming 120VAC power wire. Connect white incoming 120VAC wire (neutral wire) to one of the wires from the fixture and secure with wire nut provided. Connect black incoming 120VAC wire to the other wire from the fixture and secure with wire nut provided. The electrical box you are mounting to should have ground connection to it. Thread all wires firmly down into wire nuts, so that uninsulated wire is not exposed. (See Figure 1)

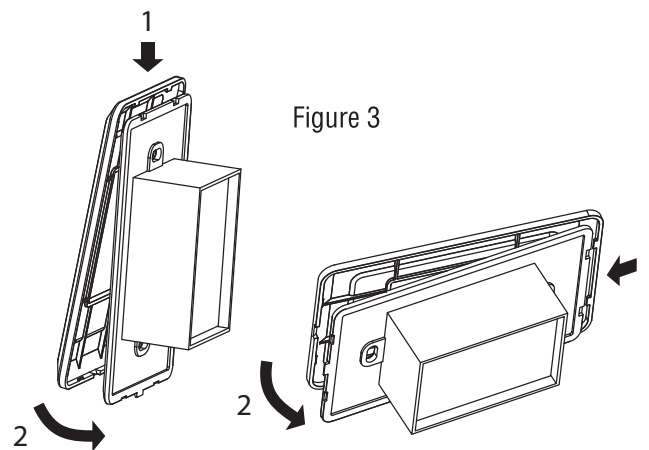


4. Mount fixture to box with 2 mounting screws provided. See Figure 2 for mounting and orientation note on fixture. Fixture must be mounted with protruding tab facing down for vertical orientation or to the right for horizontal orientation.



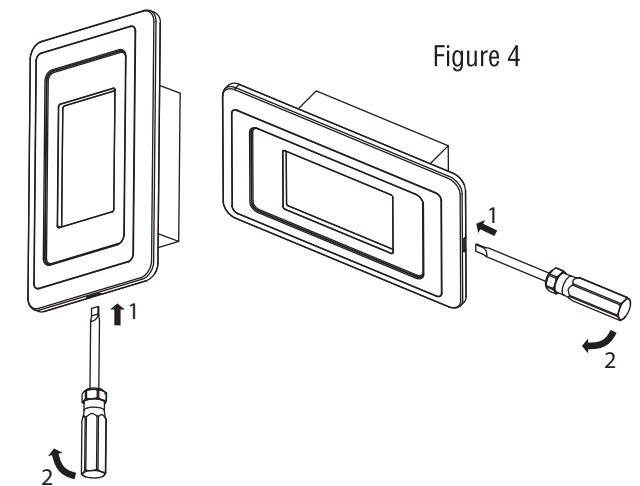
**IMPORTANT:** For outdoor installations, be sure to use silicone in screw holes to assure a water tight seal.

5. Place cover plate over fixture by placing two small tabs at top (or left side) of cover plate into slots of fixture first. Then gently push opposite side of cover with recessed tab into fixture until cover snaps into place. **Failure to follow this sequence will cause tabs on cover plate to break!** (See Figure 3)



Be sure to use appropriate horizontal or vertical cover plate depending on the orientation of your fixture.

Should you ever need to remove your cover plate, remove it in the opposite sequence using a small screw driver to pry the cover off the fixture at the tab which will be located at the right (horizontal) or bottom (vertical) of fixture depending on orientation of fixture. (See Figure 4)



6. For outdoor installations use appropriate silicone sealant to seal around fixture and wall.

## LED SWITCH STAR DIMMING

LED Switch Star is dimmable to about 5% with most standard dimmers.

## WARNING AND CAUTIONS

**Caution / Warning! To reduce the risk of fire, electric shock or injury to persons:**

1. Disconnect from all 120VAC power prior to installation.
2. Connections must be made in accordance with all local electrical codes and or NEC/CEC.
3. Minimum 90C supply conductors.
4. Interconnect up to 900 fixtures per 120VAC tap without a dimmer.
5. For maximum load with dimmer, consult dimmer instructions.
6. 14 gauge (Romex Type) or better wire is required to feed electrical box (supplied by others)
7. Installations in wet locations should use RTV silicone or water tight fittings on all connections to fixtures.
8. Install in accordance to manufacturer's instructions, current local codes and or the current Canadian Electrical Code or National Electrical Code. THIS PRODUCT MUST BE INSTALLED IN ACCORDANCE WITH THE APPLICABLE INSTALLATION CODE BY A PERSON FAMILIAR WITH THE CONSTRUCTION AND OPERATION OF THE PRODUCT AND THE HAZARDS INVOLVED.

## SPECIFICATIONS

Electrical Rating:

Input Voltage: 120VAC +- 10%

Power Consumption: 1.4W

Color Temperature: 2700K

CRI: 80

LED Luminous flux: 80 lumens

Beam Pattern: 120 degrees

LED Type: AC LED

LED Life: 40,000 hours to 70% lumen output

Operation Temp: -30C – +60C

Construction: PC (5VA flame rated, F1UV rated) and glass

Approvals Listing: 

INSTALLATION AND  
SAFETY INSTRUCTIONS

# LED SWITCH STAR



LED Switch Star mounts to most standard 2" x 4" electrical boxes and can be used both indoors and outdoors. Low power consumption of just 1.4 watts and efficacy of 57 lumens per watt make this a perfect fixture for safety, security or egress lighting applications.

**NSL**  
www.nslusa.com

**NSL**

