

Please go to www. quozel. com for product cleaning tips. Go to the **Care + Maintenance** selection.

Tools Required: Flathead screwdriver, Phillips screwdriver, pliers, wire cutters, wire strippers, electrical tape, safety glasses.

Light Source: (3) A19 Medium Base Bulbs 100W Maximum.

Estimated Assembly Time: 30-45 minutes

Preparation: Identify and inspect all parts before beginning installation. Check package content list and diagrams below to be sure all parts are present. If any parts are missing or damaged, do not attempt to assemble, install, or operate the fixture. Contact customer service for replacement parts.

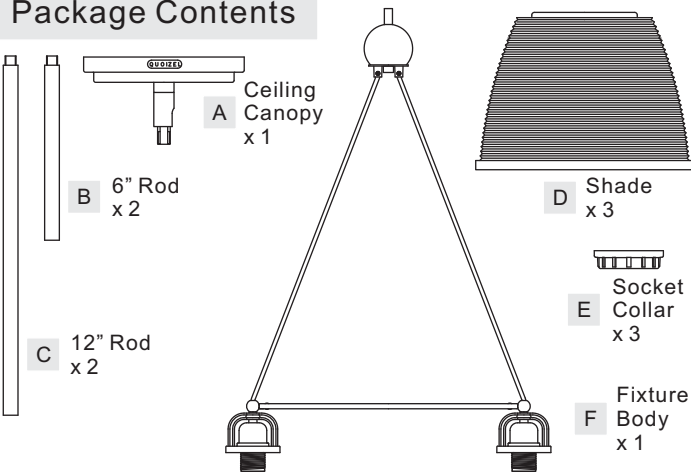
⚠ Warnings and Cautions

Turn off electricity at circuit breaker or main fuse box before installation. Consult a licensed electrician if in doubt.

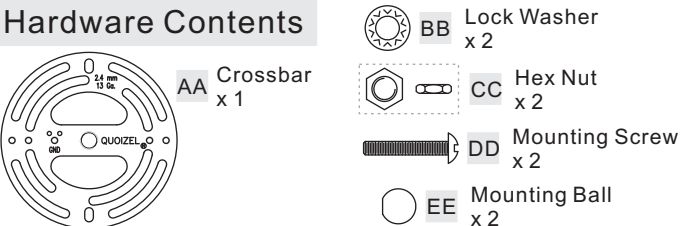
These instructions are provided for your safety. It is very important you read them completely before installing the fixture. We strongly recommend that a licensed, professional electrician perform the installation.

Disconnect fixture from power source before replacing bulbs. Make sure bulbs are given sufficient time to cool before removal.

Package Contents

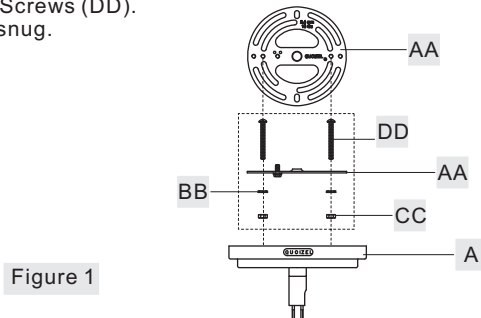


Hardware Contents



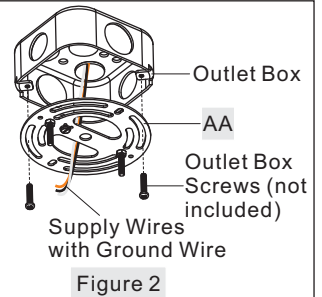
STEP 1 – Attach Mounting Screws, Lock Washers and Hex Nuts to Crossbar

- A. Line up a set of holes on the Crossbar (AA) and Holes on the Ceiling Canopy (A). Thread Mounting Screws (DD) into the holes on the Crossbar (AA). Pass Lock Washers (BB) and thread Hex Nuts (CC) onto the Mounting Screws (DD). Hand tighten until snug.



STEP 2 – Attach Crossbar to Outlet Box

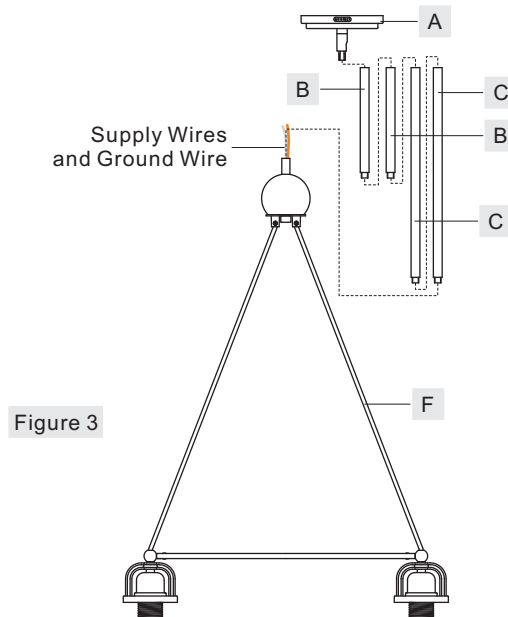
- A. Pass the supply wires through the Crossbar (AA). Attach the Crossbar (AA) to the Outlet Box with the head of the Green Ground Screw facing you. Secure it with Outlet Box Screws (not included). Tighten until snug.



STEP 3 – Assemble Fixture Body, Rods and Ceiling Canopy

- A. Determine Rods (B/C) to be assembled to Fixture Body (F) according to your hanging height.
B. Pass supply wires and ground wire through chosen rods (B/C) and Ceiling Canopy (A). Thread Fixture Body (F), chosen rods (B/C) and Ceiling Canopy (A) together. Hand tighten until snug.

Suggested rods for Ceiling height :
8' ceiling : use (1) 6" rod
9' ceiling : use (1) 6" rod and (1) 12" rod
10' ceiling : use (1) 6" rod and (2) 12" rods



Thank you for purchasing a Quoizel product.
Need assistance with parts or assembly? Call Quoizel customer service at 1-800-645-3184
or visit us on-line at www. quozel. com

STEP 4 - Test Fitting Ceiling Canopy to Mounting Screw

A. Fit the Ceiling Canopy (A) to Mounting Screws (DD) and secure with Mounting Balls (EE). Note: The Ceiling Canopy (A) should be snug against the ceiling and the Mounting Balls (EE). If not, adjust the length of the Mounting screws (DD) on the Crossbar (AA) by unscrewing the Hex Nut (CC) and Lock Washer (BB) and then screwing the Mounting screws (DD) in or out of the Crossbar (AA) until the correct length is achieved. Once the Ceiling Canopy (A) is secure, remove the Mounting Balls (EE) and Ceiling Canopy (A) and proceed to Step 5.

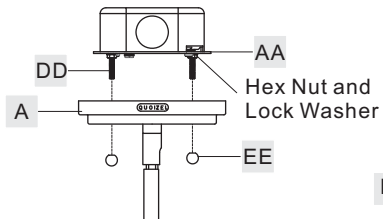


Figure 4

STEP 5 - Wire Connections

A. Use standard wire connectors (not included) to make all wire connections. Twist connectors until wires are tightly joined together. Wrap each connection with approved electrical tape and carefully stuff all the connected wires into the Outlet Box.

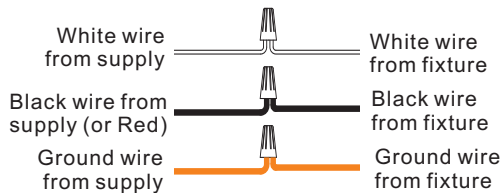


Figure 5

STEP 6 - Install Fixture Body

A. Carefully tuck all wires into the outlet box and position the Ceiling Canopy (A) over the outlet box. Align the holes in the Ceiling Canopy (A) with the Mounting Screws (DD), then attach the Ceiling Canopy (A) using the Mounting Balls (EE). Hand tighten until snug.

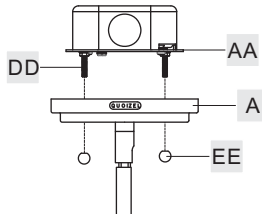


Figure 6

STEP 7 - Install Shades and Bulbs

A. Place Shades (D) over sockets and secure with Socket Collars (E). Hand tighten until snug.
B. Insert bulbs onto sockets and screw snugly into place.

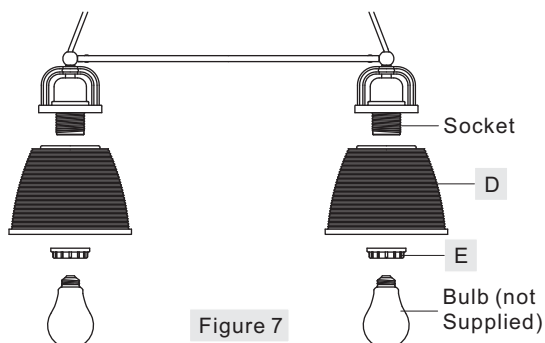


Figure 7

STEP 8 - Adjust Location of Ring

A. Unlock Lock Screws on the Ring and adjust the location of Ring. Tighten Lock Screws once your desired location is achieved.

Your assembly is now completed and ready to use. Enjoy!

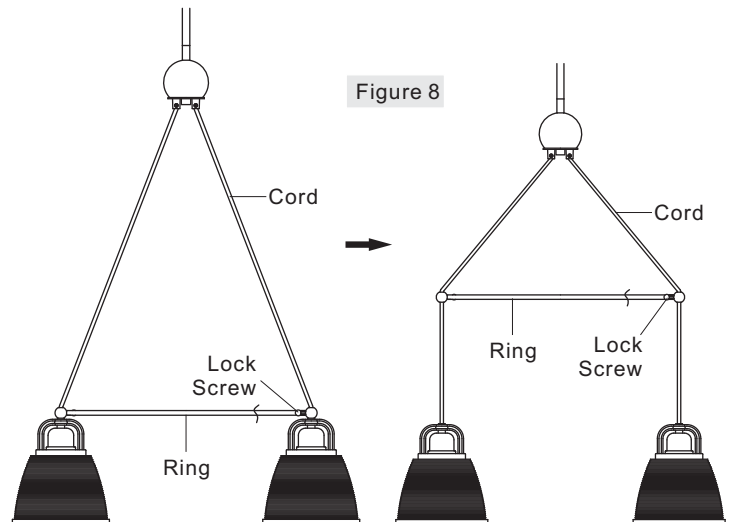
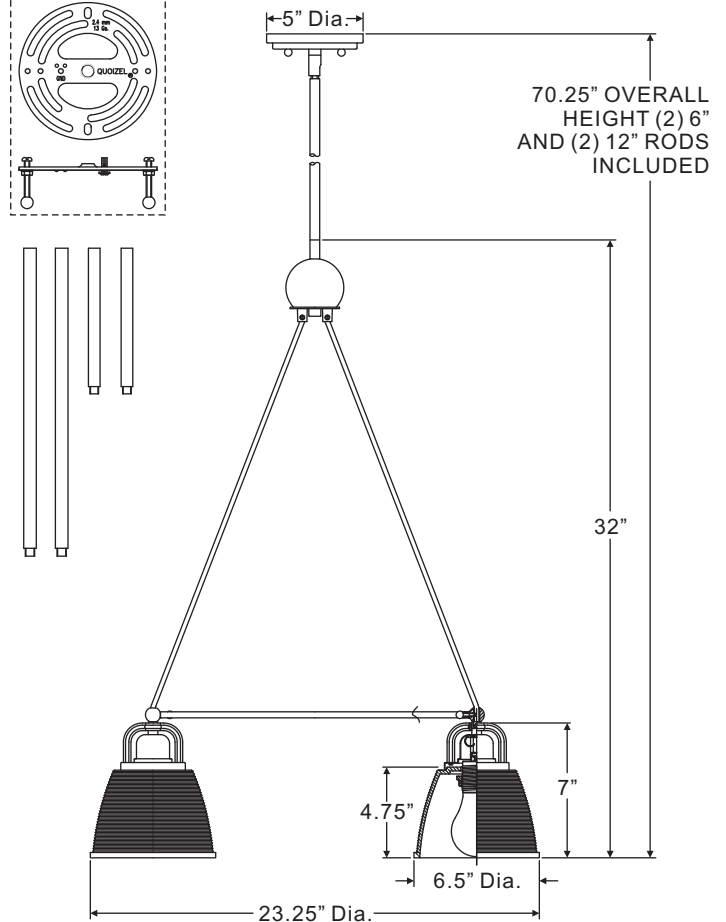
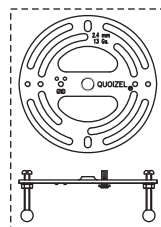


Figure 8

DBN5103BN	DBN5103K
FINISH: BRUSHED NICKEL	FINISH: MYSTIC BLACK



70.25" OVERALL HEIGHT (2) 6" AND (2) 12" RODS INCLUDED

NOTE: ALL DIMENSIONS ARE ROUNDED UP TO THE NEAREST 1/4"

Thank you for purchasing a Quoizel product.
Need assistance with parts or assembly? Call Quoizel customer service at 1-800-645-3184 or visit us on-line at www.quoise.com