

Please go to [www. quoizel. com](http://www. quoizel. com) for product cleaning tips. Go to the **Care + Maintenance** selection.

**Tools Required:** Flathead screwdriver, Phillips screwdriver, pliers, wire cutters, wire strippers, electrical tape, safety glasses.

**Light Source:** Integrated 22W LED

**Compatible Dimmer Switches:** Lutron DVELV-300P or Lutron SELV-300P.

**Estimated Assembly Time:** 20-30 minutes

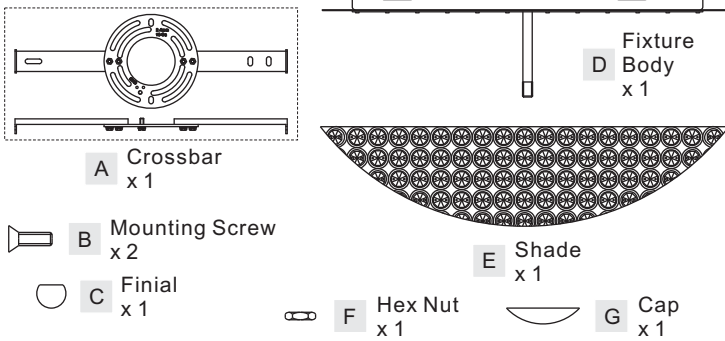
**Preparation:** Identify and inspect all parts before beginning installation. Check package content list and diagrams below to be sure all parts are present. If any parts are missing or damaged, do not attempt to assemble, install, or operate the fixture. Contact customer service for replacement parts.

**⚠ Warnings and Cautions**

Turn off electricity at circuit breaker or main fuse box before installation. Consult a licensed electrician if in doubt.

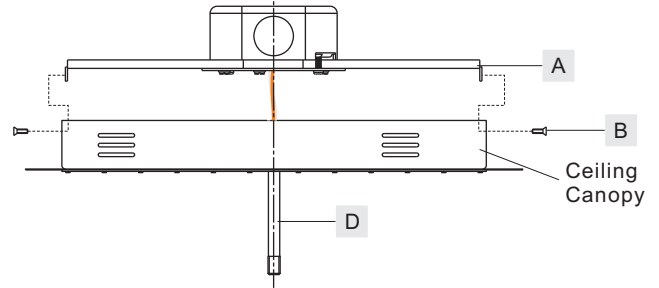
These instructions are provided for your safety. It is very important you read them completely before installing the fixture. We strongly recommend that a licensed, professional electrician perform the installation.

**Package Contents**



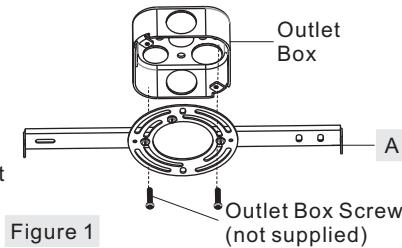
**STEP 3 – Attach Fixture Body to Crossbar**

A. Fit excess cord and electrical wires in the ceiling canopy properly. Line up the holes on the side of the Fixture Body (D) to the mounting holes on the Crossbar (A). Secure them with Mounting Screws (B). Tighten until snug.



**STEP 1 – Attach Crossbar to Outlet Box**

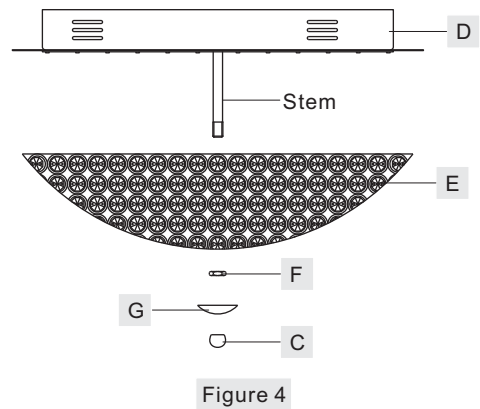
A. Attach the Crossbar (A) to Outlet Box and secure by threading Outlet Box Screws (not supplied) into the Mounting Holes on the Outlet Box. Tighten until snug.



**STEP 4 – Install Shade**

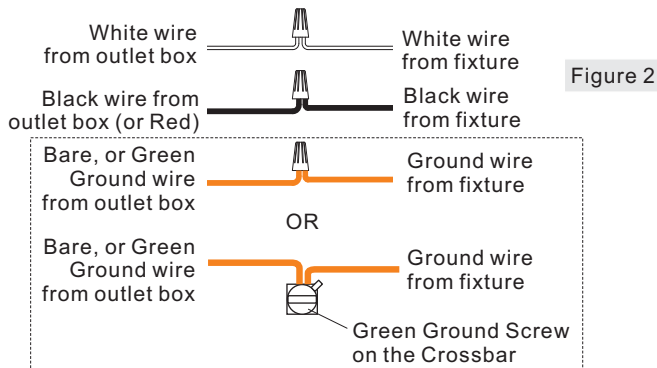
A. Place the Shade (E) over the end of the Stem and secure with the Hex Nut (F). Tighten gently until snug.  
B. Pass the Cap (G) over the end of the Stem and secure with the Finial (C). Hand tighten until snug.

Your fixture is now assembled and ready to use. Enjoy!



**STEP 2 - Wire Connections**

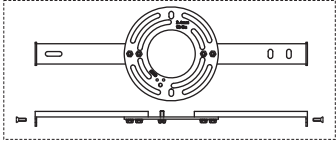
A. Use standard wire connectors (not included) to make all wire connections. Twist connectors until wires are tightly joined together. Wrap each connection with approved electrical tape and carefully stuff all the connected wires into the Outlet Box.



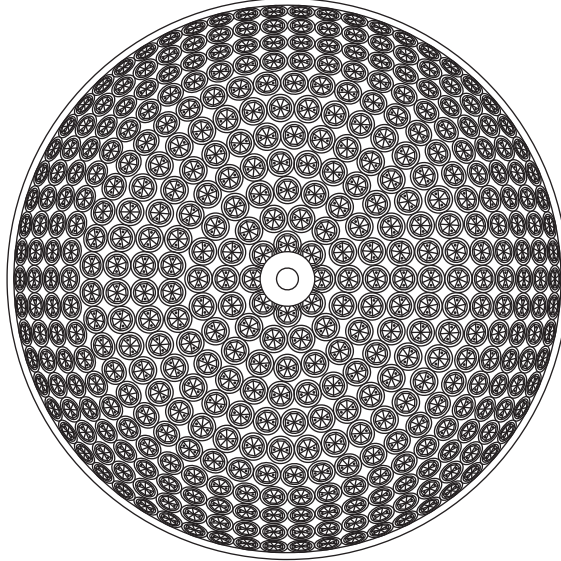
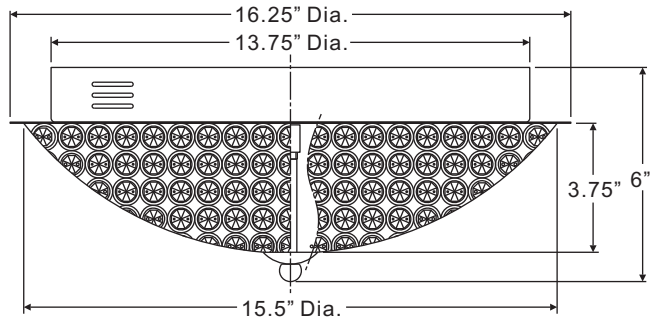
**Thank you for purchasing a Quoizel product.**  
Need assistance with parts or assembly? Call Quoizel customer service at 1-800-645-3184 or visit us on-line at [www. quoizel. com](http://www. quoizel. com)

PCIN1716C

FINISH: POLISHED CHROME



NOTE: ALL DIMENSIONS ARE ROUNDED UP TO THE NEAREST 1/4"



Thank you for purchasing a Quoizel product.  
Need assistance with parts or assembly? Call Quoizel customer service at 1-800-645-3184  
or visit us on-line at [www.quoise.com](http://www.quoise.com)