

Please go to [www.quoise.com](http://www.quoise.com) for product cleaning tips. Go to the **Care + Maintenance** selection.

**Tools Required:** Flathead screwdriver, Phillips screwdriver, pliers, wire cutters, wire strippers, electrical tape, safety glasses.

**Light Source:** (3) A19 Medium Base Bulbs 100W Maximum.

**Estimated Assembly Time:** 30-45 minutes

**Preparation:** Identify and inspect all parts before beginning installation. Check package content list and diagrams below to be sure all parts are present. If any parts are missing or damaged, do not attempt to assemble, install, or operate the fixture. Contact customer service for replacement parts.

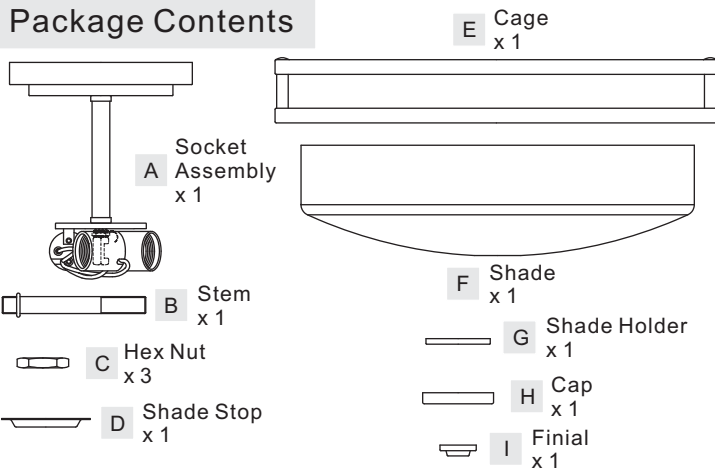
## ⚠ Warnings and Cautions

Turn off electricity at circuit breaker or main fuse box before installation. Consult a licensed electrician if in doubt.

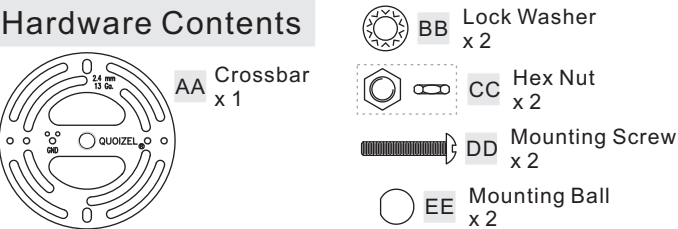
These instructions are provided for your safety. It is very important you read them completely before installing the fixture. We strongly recommend that a licensed, professional electrician perform the installation.

Disconnect fixture from power source before replacing bulbs. Make sure bulbs are given sufficient time to cool before removal.

## Package Contents

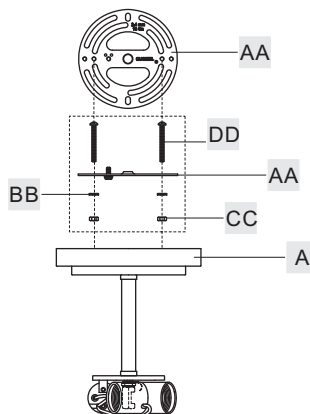


## Hardware Contents



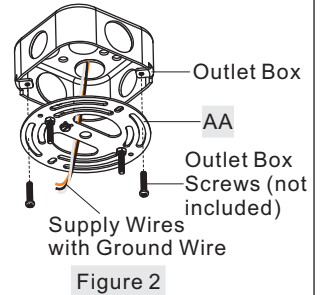
## STEP 1 - Attach Mounting Screws, Lock Washers and Hex Nuts to Crossbar

A. Line up a set of holes on the Crossbar (AA) and Holes on the Ceiling Canopy of Socket Assembly (A). Thread Mounting Screws (DD) into the holes on the Crossbar (AA). Pass Lock Washers (BB) and thread Hex Nuts (CC) onto the Mounting Screws (DD). Hand tighten until snug.



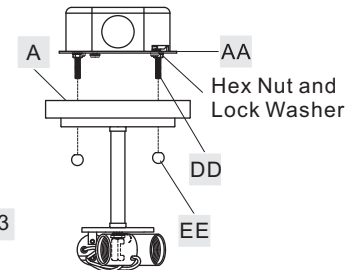
## STEP 2 - Installing the Crossbar to Outlet Box

A. Pass the supply wires through the Crossbar (AA). Attach the Crossbar (AA) to the Outlet Box with the head of the Green Ground Screw facing you. Secure the Crossbar (AA) with Outlet Box Screws (not included). Tighten until snug.



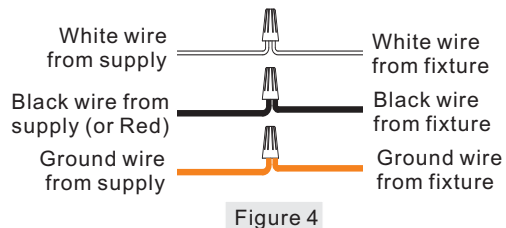
## STEP 3 - Test Fit the Ceiling Canopy to the Mounting Screws

A. Place the ceiling canopy and Socket Assembly (A) onto the Mounting Screws (DD) and secure with Mounting Balls (EE). Note: The ceiling canopy and Socket Assembly (A) should be snug against the ceiling and held tight with the Mounting Balls (EE). If it is not, adjust the length of the Mounting Screws (DD) on the Crossbar (AA) by unscrewing the Hex Nut (CC) and Lock Washer (BB) and then screwing the mounting screws (DD) in or out of the Crossbar (AA) until the correct length is achieved. Once the ceiling canopy and Socket Assembly (A) is secure, remove the Mounting Balls (EE) and Socket Assembly (A) and proceed to Step 4.



## STEP 4 - Wire Connections

A. Use standard wire connectors (not included) to make all wire connections. Twist connectors until wires are tightly joined together. Wrap each connection with approved electrical tape and carefully stuff all the connected wires into the Outlet Box.



**Thank you for purchasing a Quoizel product.**  
**Need assistance with parts or assembly? Call Quoizel customer service at 1-800-645-3184**  
**or visit us on-line at [www.quoise.com](http://www.quoise.com)**

**STEP 5 - Install Socket Assembly**

- A. Position the ceiling canopy and Socket Assembly (A) onto the Mounting Screws (DD). Secure the ceiling canopy and Socket Assembly (A) by using the Mounting Balls (EE) and hand tighten the Mounting Balls (EE) until snug.

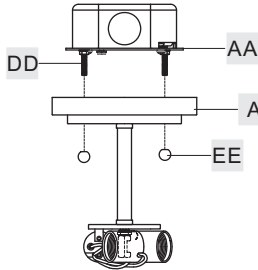


Figure 5

**STEP 6 - Install Stem and Shade Stop**

- A. Thread the beaded end of the Stem (B) into the hex coupling underside of Socket Assembly (A). Hand tighten until snug.  
 B. Thread one Hex Nut (C) onto the bottom end of Stem (B). Place the Shade Stop (D) over the end of the Stem (B) and secure with another Hex Nut (C).

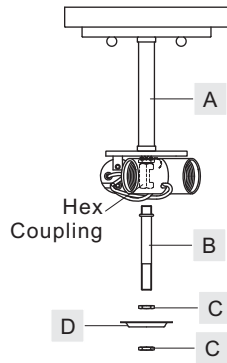


Figure 6

**STEP 7 - Assemble Shade**

- A. Attach the Cage (E) onto the top edge of the Shade (F). Place the Shade with Cage over the end of the Stem (B). Attach the Shade (F) to the Shade Stop (D). Place the Shade Holder (G) over the end of the Stem (B) and secure with Hex Nut (C). Hand tighten until snug.  
 B. Place the Cap (H) over the end of the Stem (B) and secure with the Finial (I). Hand tighten until snug.  
 C. Insert bulbs onto sockets and screw snugly into place.

Your fixture is now assembled and ready to use. Enjoy!

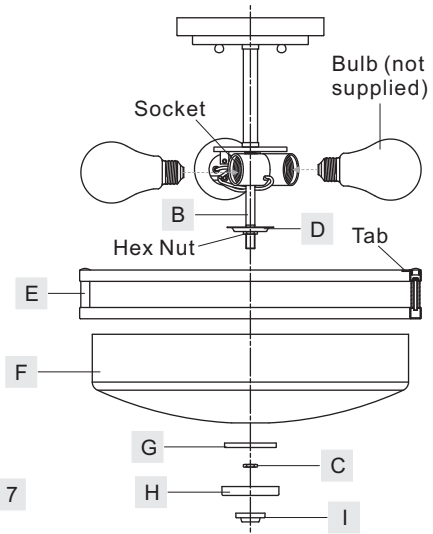
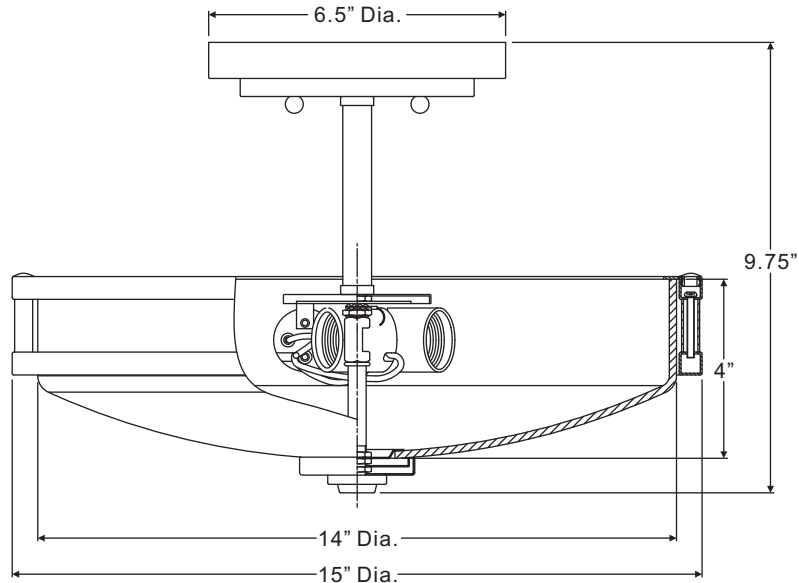
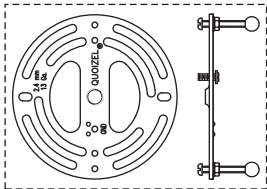


Figure 7

CDT1715BN	CDT1715OZ
FINISH: BRUSHED NICKEL	FINISH: OLD BRONZE

NOTE: ALL DIMENSIONS ARE ROUNDED UP TO THE NEAREST 1/4"



Thank you for purchasing a Quoizel product.  
 Need assistance with parts or assembly? Call Quoizel customer service at 1-800-645-3184  
 or visit us on-line at [www.quoise.com](http://www.quoise.com)