

## IMPORTANT SAFETY INSTRUCTIONS

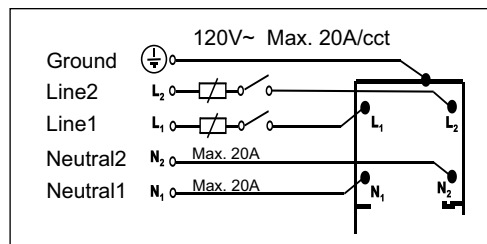
### Read All Instructions Before Installation

When installing or using this trac system, basic safety precautions should always be followed, including the following:

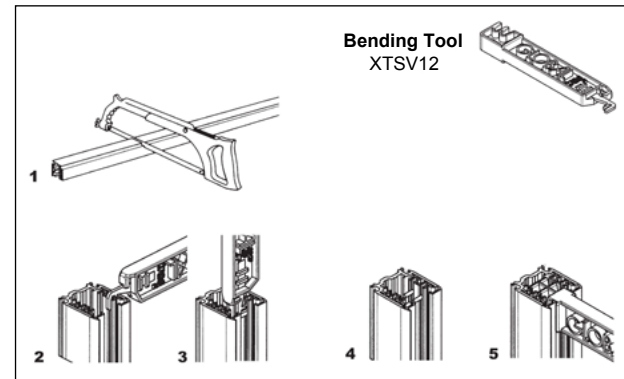
1. Read all of these installation instructions before installing the Juno TEK HD Commercial Trac System.
2. The Juno TEK HD Commercial Trac System is intended for use with Juno TEK HD Commercial Trac components and fixtures. To reduce risk of fire and electric shock, do not use other components as part of this system.
3. Trac installation is to be performed by a certified electrician in accordance with the National Electrical Code and all local codes and ordinances.
4. Designed to be fed by two branch circuits rated 120VAC, 20A, eg. the system is a two-circuit / two-neutral trac and care must be taken to keep circuits designated as Circuit 1 and Circuit 2 separate.
5. Do not install the trac in damp or wet locations.
6. Do not install any parts of the trac system less than 8 feet above the floor.
7. Do not install any fixtures closer than 6 inches from combustible materials.
8. Do not use this trac with a power supply cord or convenience receptacle adapter.
9. Do not install the trac with electric power connected. Similarly, disconnect electricity when installing or removing fixtures or components or changing the configuration of the trac.
10. Do not attempt to energize anything other than Juno TEK HD Commercial Trac fixtures on this trac. To reduce the risk of fire and electrical shock, do not attempt to connect power tools, extension cords, appliances and the like to the trac.

## SAVE THESE INSTRUCTIONS FOR FUTURE REFERENCE WHEN ADDING FIXTURES OR CHANGING THE TRAC CONFIGURATION

### ELECTRICAL CONNECTION



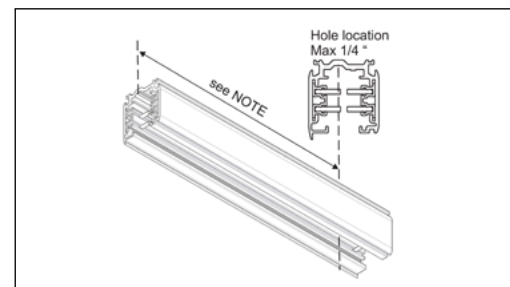
### FIELD CUTTING OF TRAC TO LENGTH



The standard length TEK trac is supplied with the conductor ends factory bent to allow for proper connection of fittings. However, the trac can be field cut to different lengths with a hacksaw or a circular saw intended for cutting aluminum. After cutting, the conductor ends must be bent in the field with the XTSV12 Bending Tool.

- STEP 1.** Carefully cut the trac to length using a hacksaw or other metal saw. Ensure that the cut is clean and straight.
- STEP 2.** Insert the bending tool so that the trac conductor fits in the outermost slot at the tip of the bending tool.
- STEP 3.** Rotate the bending tool 90 degrees upward maintaining constant force perpendicular to the inside wall of the trac extrusion. Repeat steps 2 and 3 for all conductors.
- STEP 4.** Bent conductors should look similar to the factory finished ends, as shown. The ends of the conductors should have spacing of 1/16" following bending or the system connectors will not fit.
- STEP 5.** Confirm correct bending by inserting the opposite end of the tool in the end of the trac as shown.

### FIELD DRILLING OF MOUNTING HOLES

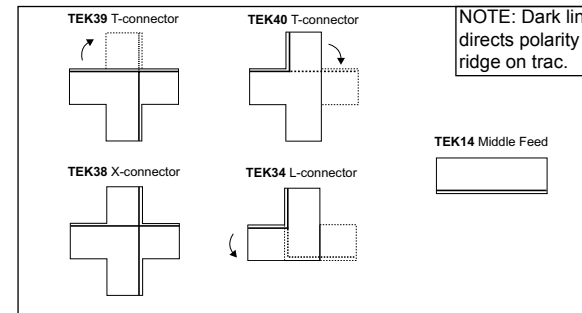


If trac is field cut, it may become necessary to drill new mounting holes. If so, use one of the cut-off pieces with existing mounting hole as a template for new hole to be drilled. The drill bit should be no larger than 1/4" in diameter. The hole should be centered in the groove in the bottom of the trac. Remove burrs after drilling. Hole location should be in accordance with the note below.

**NOTE:** A single section of the trac that is 4 feet or less in length must have one mounting opening spaced a maximum of 6 inches from each end of trac section. Additional openings may be provided. A single section of the trac that is greater than 4 feet in length is to be provided with mounting openings spaced a maximum of 6 inches from each end of trac section with additional openings provided a minimum of every 4 feet along the length of the trac section.

### FEEDING TRAC AT A CORNER CONNECTION

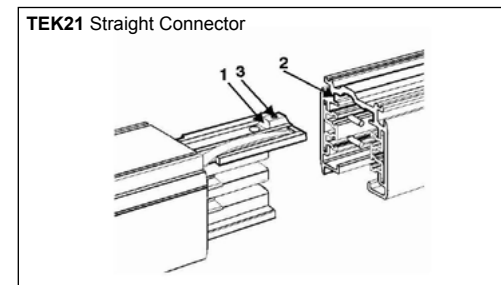
Juno TEK HD Commercial Trac can be fed at the following corners and trac intercept connectors.



When feeding at one of the above connectors, follow the feeding instructions as shown under "INSTALLATION OF TEK TRAC TO AN OUTLET BOX".

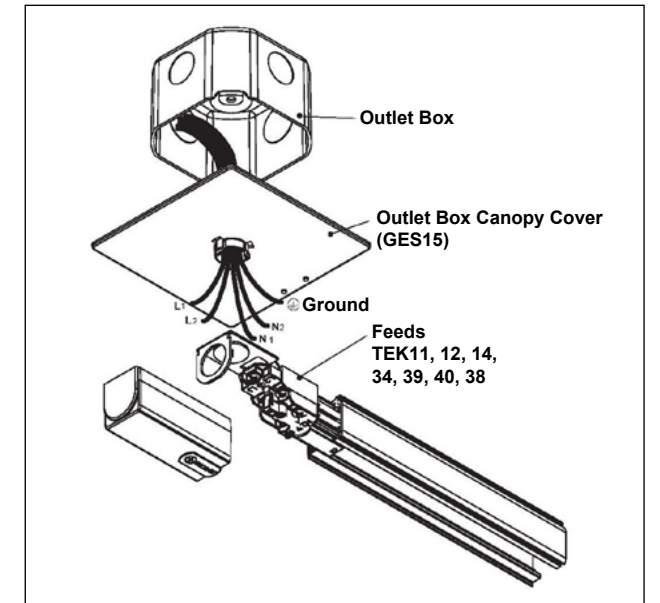
**NOTE:** The trac is polarized, so connectors can only be installed in the trac in one direction. Middle Feeds, L, T and X-connectors are pre-wired, and should not be re-configured in the field. When requiring a turn in a different direction, or an opposite T-connector is required, remove the cover and turn the connector as shown above.

### INSTALLING CONNECTORS



1. Select the correct connector to fit the end of the trac.
2. Align the guide lug of the connector with the groove on the trac.
3. Insert the connector into the end of the trac, ensuring that the guide lug enters the groove in the base of the trac.
4. If the connection is too tight, loosen the lock screw until the connector slides in.
5. Once the connector is correctly inserted, tighten the lock screw.

### INSTALLATION OF TEK TRAC TO AN OUTLET BOX



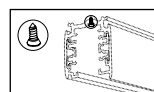
- STEP 1.** Remove the knock-out hole provided on the back side of the feed connector. Remove feed connector cover.
- STEP 2.** Pass the supply, neutral and ground wires through the backplate.
- STEP 3.** Attach feed connector to trac (NOTE: trac is polarized and feed connector will only fit one end of trac). Pass wires through hole on feed and mount trac to ceiling using toggle bolts or screws.
- STEP 4.** ALWAYS CONNECT GROUND WIRE TO GREEN GROUND TERMINAL. Connect live conductors to the appropriate terminal marked "L1" or "L2". Connect neutral conductors to the appropriate terminal marked "N1" or "N2".
- STEP 5.** Replace feed connector cover.

## MOUNTING THE TRAC

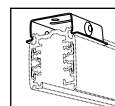
**NOTE:** The trac should be securely mounted at the maximum intervals of 4 feet, and must be mounted in accordance with all applicable codes and standards.

### Ceiling Mounting Options

Instructions for each option:

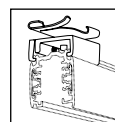


**A.** Using the factory provided mounting holes, use appropriate screw or toggle bolt for securing the trac to the ceiling.



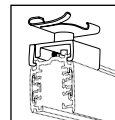
SKB10

**B.** Mark the location of the centerline of the trac on the ceiling. Using an appropriate screw or toggle bolt, secure SKB10 mounting clips at the correct position on ceiling. Loosen the set screw on the side of the clips and insert the trac, tightening the set screws while holding the trac in position.



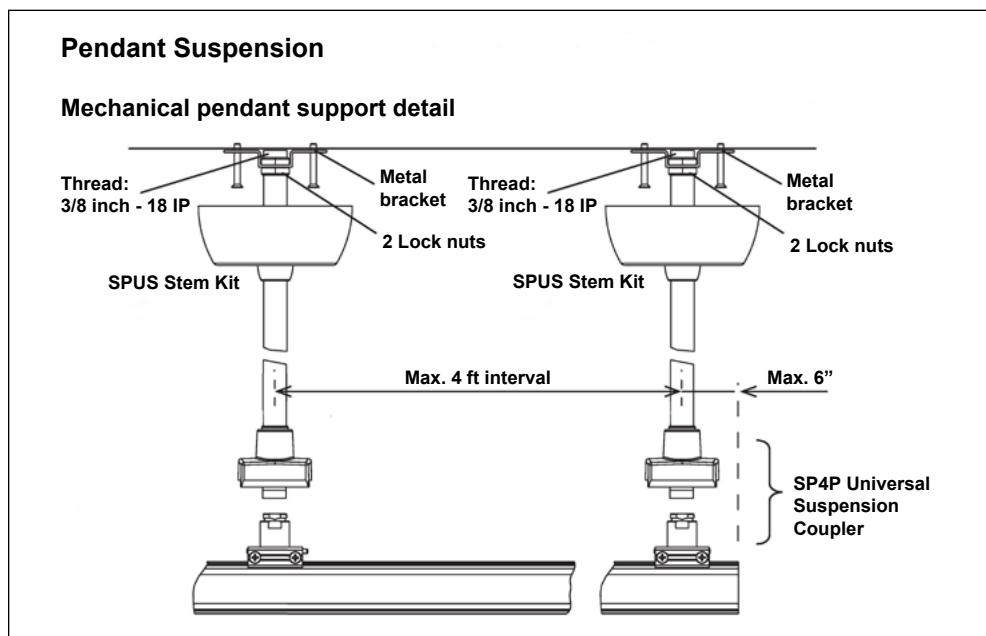
SKBT12

**C.** Use the SKBT12 for securing the trac to <sup>15</sup>/<sub>16</sub>" flush T-bar ceiling grids. Snap the clips onto the grid in the correct locations, then insert the trac, tightening the set screws while holding the trac in position.



SKBX12

**D.** Use the SKBX12 for <sup>15</sup>/<sub>16</sub>" recessed ceiling grids. Follow the same procedure as C above.



### Trac support using Pendant Stem Kit, Catalog Numbers SPUS

1. Secure mounting bracket to ceiling using hardware provided or other appropriate fasteners.
2. Thread one nut on upper end of stem. Attach upper threaded portion of stem to mounting bracket and secure second nut tightly.
3. Loosen lock screw and slide canopy up stem, taking care not to scratch the surface finish. Tighten canopy once in position.
4. Remove plastic cover from SP4P mounting bracket. Using a sharp knife, cut-out the top protrusion to allow the stem to pass through cover. Slide cover up stem while completing remaining connections.
5. Thread SP4P metal bracket onto stem and tighten.
6. Secure mounting bracket to back of trac, fastening the set screws.
7. Slide mounting bracket cover down the stem and over the mounting bracket.