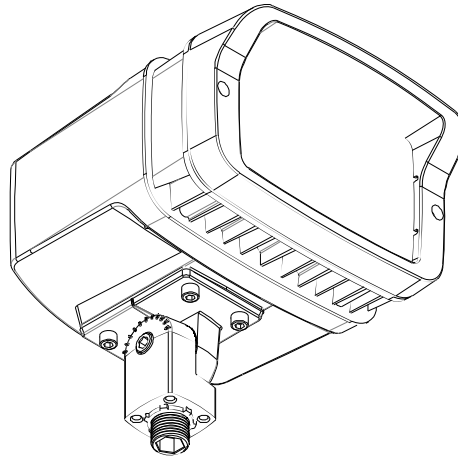
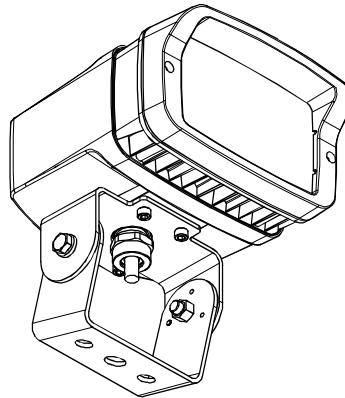


LED Flood Luminaire



**Model Number(s):
OFL1 LED THK
OFL1 LED YK**



Protect yourself. Before installing, read the entire instructions carefully and save them for future reference.

Date installed: _____

Failure to follow any of these instructions could void product warranties. For a complete list of product Terms and Conditions, visit www.acuitybrands.com. Acuity Brands Lighting, Inc. assumes no responsibilities for claims arising out of improper or careless installation or handling of its products.

If further technical assistance is required, contact: Technical Support at: (800) 279-8041.

READ AND FOLLOW THESE SAFETY INSTRUCTIONS!

- To reduce the risk of death, personal injury or property damage from fire, electric shock, falling parts, cuts/abrasions, and other hazards please read all warnings and instructions included with and on the fixture box and all fixture labels.
- Before installing, servicing, or performing routine maintenance upon this equipment, follow these general precautions.
- Commercial installation, service and maintenance of luminaires should be performed by a qualified licensed electrician.
- For Residential installation: If you are unsure about the installation or maintenance of the luminaires, consult a qualified licensed electrician and check your local electrical code.
- Maintenance of the luminaires should be performed by person(s) familiar with the luminaires' construction and operation and any hazards involved. Regular fixture maintenance programs are recommended.
- This fixture is intended to be connected to a properly installed and grounded UL listed junction box.
- It will occasionally be necessary to clean the outside of the refractor/lens. Refractor/lens should be washed in a solution of warm water and any mild, non-abrasive household detergent, rinsed with clean water and wiped dry. Should optical assembly become dirty on the inside, wipe refractor/lens and clean in above manner, replacing damaged gaskets as necessary.
- **DO NOT INSTALL DAMAGED PRODUCT!** This luminaire has been properly packed so that no parts should have been damaged during transit. Inspect to confirm. Any part damaged or broken during or after assembly should be replaced.
- Recycle: For information on how to recycle LED electronic products, please visit www.epa.gov.
- These instructions do not purport to cover all details or variations in equipment nor to provide every possible contingency to meet in connection with installation, operation, or maintenance. Should further information be desired or should particular problems arise which are not covered sufficiently for the purchaser's or owner's purposes, this matter should be referred to Acuity Brands Lighting, Inc.

**WARNING
RISK OF ELECTRIC SHOCK**

- ▶ Disconnect or turn off power before installation or servicing.
- ▶ Verify that supply voltage is correct by comparing it with the luminaire label information.
- ▶ Make all electrical and grounded connections in accordance with the National Electrical Code (NEC) and any applicable local code requirements.
- ▶ All wiring connections should be capped with UL approved wire connectors.

**CAUTION
RISK OF INJURY**

- ▶ Wear gloves and safety glasses at all times when removing luminaire from carton, installing, servicing or performing maintenance.
- ▶ Avoid direct eye exposure to the light source while it is on.

**WARNING
RISK OF BURN**

- ▶ Allow lamp/fixture to cool before handling. Do not touch enclosure, lens or light source.
- ▶ Do not exceed maximum wattage marked on luminaire label.
- ▶ Follow all manufacturer's warnings, recommendations and restrictions including but not limited to: driver type, burning position, mounting locations/methods, replacement and recycling.
- ▶ Use only lamps that comply with ANSI standards.

**CAUTION
RISK OF FIRE**

- ▶ Keep combustible and other materials that can burn, away from lamp/lens.
- ▶ Do not operate in close proximity to persons, combustible materials or substances affected by heat.

**CAUTION
RISK OF PRODUCT DAMAGE**

- ▶ Never connect components under load.
- ▶ Do not mount or support these fixtures in a manner that can cut the outer jacket or damage wire insulation.
- ▶ Unless individual product specifications deem otherwise: Never connect an LED product directly to a dimmer packs, occupancy sensor, timing device, or other related control devices. LED fixtures must be powered directly off a switched circuit.
- ▶ Unless individual product specifications deem otherwise: Do not restrict fixture ventilation. Allow for some volume of airspace around the fixture. Avoid covering LED fixtures with insulation, foam, or other material that will prevent convection or cooling.
- ▶ Unless individual product specifications deem otherwise: Do not exceed fixtures maximum ambient temperature.
- ▶ Only use fixture in its intended location.
- ▶ LED products are Polarity Sensitive. Ensure proper Polarity before installation.
- ▶ Electrostatic Discharge (ESD): ESD can damage LED fixtures. Personal grounding equipment must be worn during all installation or servicing of unit.
- ▶ Do not touch individual electrical components as this can cause ESD, shorten lamp life, or alter performance.
- ▶ Some components inside the fixture may not be serviceable. In the unlikely event your unit may require service, stop using the unit immediately and contact an ABL representative for assistance.
- ▶ Changes or modifications not expressly approved by Acuity Brands Lighting could void the authority to operate the equipment.
- ▶ Always read the fixtures complete installation instructions prior to installation for any additional fixture specific warnings.

This equipment has been tested and found to comply with the limits for a class B digital device, pursuant to part 15 of the FCC Rules. These limits are designed to provide reasonable protection against harmful interference when used in a residential installation. This equipment generates, uses and can radiate radio frequency energy and, if not installed and used in accordance with the instructions may cause harmful interference to radio communications. However, there is no guarantee that interference will not occur in a particular installation. If this equipment does cause harmful interference to radio or television reception, which can be determined by turning the equipment off and on, the user is encouraged to try to correct the interference by one or more of the following measures:

- Reorient or relocate the receiving antenna.
- Increase the separation between the equipment and receiver.
- Connect the equipment into an outlet on a circuit different from that to which the receiver is connected.
- Consult the dealer or an experienced radio/TV technician for help.

5-YEAR LIMITED WARRANTY

Register your warranty on www.acuitybrands.com/resources/warranty. Your prompt product registration confirms your right to the protection available under the terms and conditions of your Lithonia Lighting warranty.

Failure to follow any of these instructions could void product warranties. For a complete listing of product Terms and Conditions, please visit www.acuitybrands.com. Acuity Brands Lighting, Inc. assumes no responsibilities for claims arising out of improper or careless installation or handling of its products.

Upon receipt of fixture, thoroughly inspect for any freight damage. All damage should be reported to the delivery carrier. Compare the catalog description listed on the packing slip with the fixture label on the inside of the housing to be sure you have received the correct merchandise. **Note:** Account for small parts and destroy packing material, as these may be hazardous to children.

Turn OFF Power at circuit breaker box.

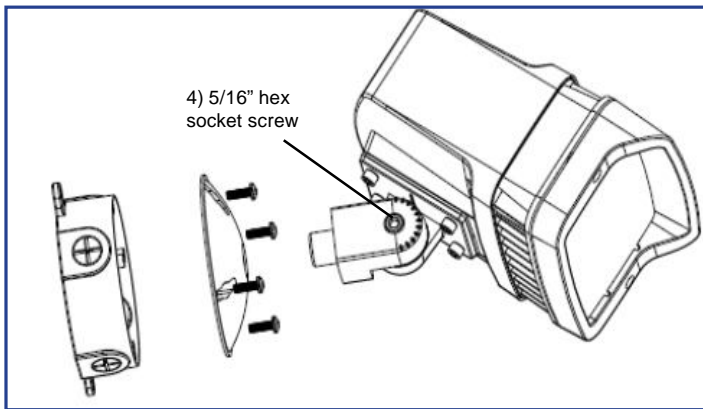
CAUTION: Do not rely on wall switch alone to turn off power.

OFL1 THK - Threaded Knuckle Mounting:

Required Tools: 1/4" hex socket driver

Remove locknut and thread knuckle into a 1/2" NPS hole in a compatible mounting apparatus. **Note:** Seal arm thread using Teflon tape or silicone sealant. Reinstall locknut and tighten to secure. Refer to wiring instructions for power connection on next page.

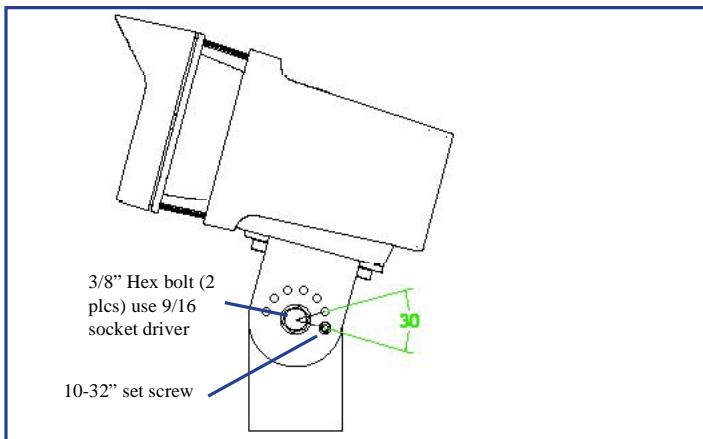
To adjust the tilt angle of the fixture, loosen the 5/16" hex socket screw. Rotate fixture to the desired angle and re-tighten screw to 30ft-lbs.



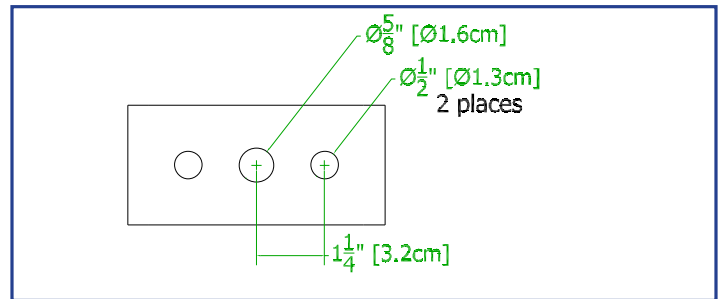
OFL1&2 YK - Yoke Mounting:

Required Tools: Hex socket driver and regular screwdriver.

To adjust the tilt angle of the fixture, loosen but do not remove the 3/8" hex bolts on both sides of the yoke. While holding weight of fixture, remove 10-32" set screw, adjust to desired angle and reinstall set screw in appropriate matching hole. Re-tighten hex bolts to secure.



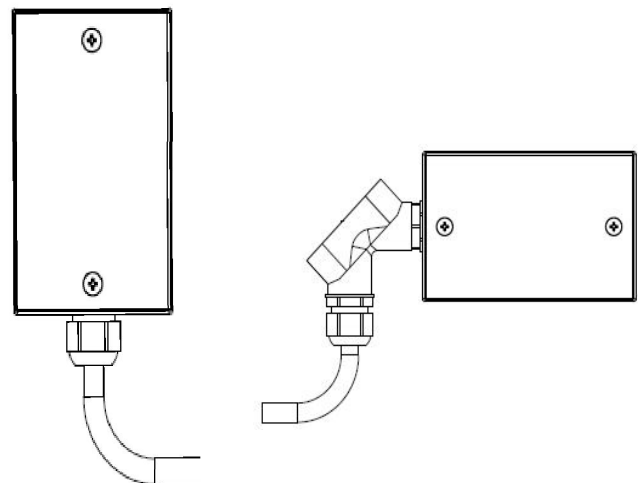
Mount fixture to the desired bracketry using the hole pattern provided on the yoke bracket (see template below) with a 5/8" bolt (if center hole is used) or 1/2" bolts (if outer holes are used), lock washer, and nut (not provided). Tighten to 30ft-lbs.



The Yoke Mounting option is provided with 16AWG power supply cord. The power supply cord has 0.4 inch outside diameter (O.D.). A UL LISTED water tight cord connector suitable for use on 0.4 inch diameter size wet location flexible cord shall be required in order to install onto an outdoor junction box. See image below.



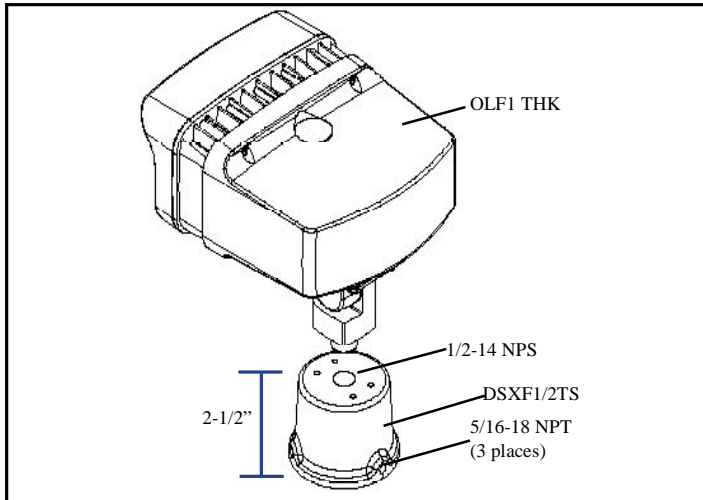
When installing onto an outdoor junction box and in order to reduce risk of water entry, ensure that a Teflon tape or silicone sealant is applied on the threaded portion of the fitting when being installed. It is recommended that the water tight cord connector be installed so that power supply cord exits towards the ground. If existing wiring does not allow for installation of wires exiting towards the ground, the use of an elbow suitable for wet location use is recommended so that cord can exit towards the ground. See images below. Refer to wiring instructions on next page for power connection.



ACCESSORIES (sold separately)

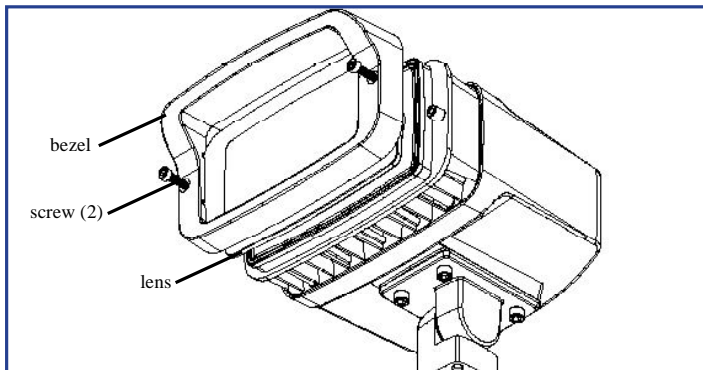
Tenon Slipfitter (DSXF1/2TS) for use with OFL1 THK :

Attach the Tenon Slipfitter (sold separately) to fixture's threaded 1/2" knuckle. Secure to the top end of a 1-1/4" to 2" pipe by tightening set screws to 12ft-lbs and secure with locknut. **Note:** Seal arm thread using Teflon tape or silicone sealant.



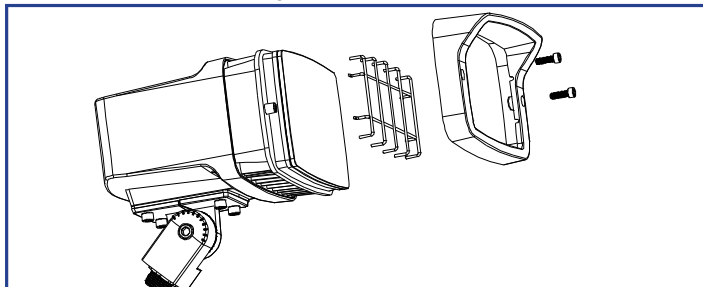
Vandalguard (polycarbonate shield)

To install vandalguard, unscrew the (2) 10-24 socket head screws on the front face of the bezel and remove bezel. Replace glass lens with vandalguard and re-install bezel. **Note:** do not touch LED



Wireguard

To install wireguard, unscrew the (2) 10-24 socket head screws on the front face of the bezel and remove bezel. Insert Wireguard and re-install bezel. **Note:** do not remove glass or touch LED



CAUTION: WIRING AND FIXTURE OPERATION
Make sure power is turned off.

To Ground fixture use Wire Nut to connect the (copper) house supply ground wire & the (green) fixture ground wire. **Note:** If house wiring does not include a ground wire, consult your local electrical code for approved grounding methods.

For proper connection, place wire nut over wires and twist clockwise until tight.

To connect supply wires use Wire Nuts to connect the black fixture wire to the black power supply wire and the white fixture wire to the white (neutral) supply wire.

Trouble Shooting Guide

If this fixture fails to operate properly, use the guide below to diagnose and correct the problem.

- Verify that power is turned on at switch and breaker
- Verify that fixture is wired properly
- Verify that line voltage is correct

If further assistance is required, contact:
Technical Support at: (800) 279-8041

Cleaning and Maintenance

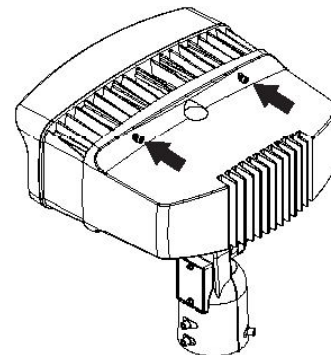
Caution: Be sure fixture temperature is cool enough to touch. Do not clean or maintain while fixture is energized.

This LED light provides low maintenance service with no bulbs to change. Clean surfaces with mild soap and water. Do not use abrasive materials such as scouring pads or powders, steel wool or abrasive paper.

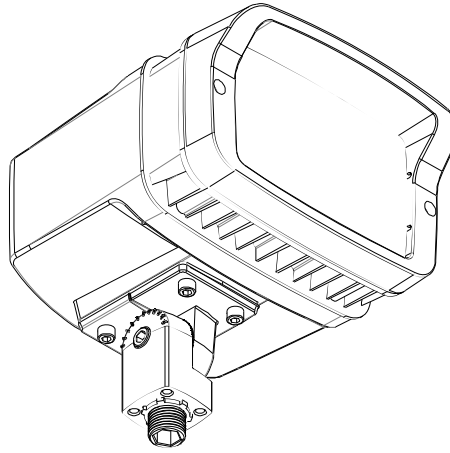
Do not touch LED.

Driver Access

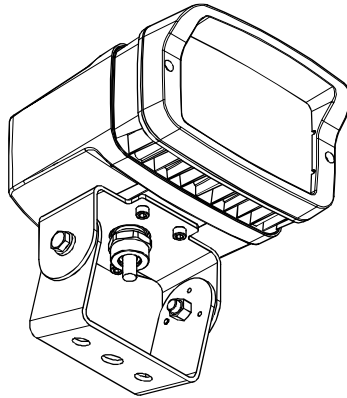
The driver is pre-wired so access to the driver during installation is unnecessary but in case of a driver failure the driver can be accessed and replaced. To access the driver compartment, unscrew the (4) 8-32 socket head screws in the back of the housing and remove the bezel and heatsink assembly.



Reflector de led



Número de modelo:
OFL1 LED THK
OFL1 LED YK



Antes de instalar, lea estas instrucciones cuidadosamente y guárdelas para futura referencia.

Fecha Instalada: _____

El incumplimiento de alguna de estas instrucciones puede anular la garantía del producto. Para obtener la lista completa de los términos y las condiciones respecto al producto, visite www.acuitybrands.com. Acuity Brands Lighting, Inc. no se hace responsable por los reclamos que puedan surgir de la instalación o manipulación inadecuada o negligente de sus productos.

Si necesita obtener más ayuda técnica, comuníquese con: Soporte técnico al: **(800) 279-8041**

LEA Y SIGA LAS INSTRUCCIONES DE INSTALACIÓN

- Para reducir el riesgo de muerte, lesiones personales o daño a la propiedad que pueda surgir de incendios, choques eléctricos, cortes, abrasiones, caída de partes y otros peligros lea todas las advertencias e instrucciones incluidas en la caja o su interior, además de las etiquetas del montaje.
- Antes de instalar o revisar el equipo, o realizar mantenimiento de rutina, siga estas precauciones generales.
- La instalación, la revisión y el mantenimiento comerciales de las luminarias debe ser realizada por un electricista calificado autorizado.
- La En el caso de instalaciones residenciales: Si no está seguro sobre la instalación o el mantenimiento de las luminarias, consulte a un electricista calificado autorizado y verifique el código eléctrico local.
- Este montaje ha sido diseñado para conectarse a una caja de unión aprobada por UL debidamente instalada y puesta a tierra.
- Cada tanto será necesario limpiar la parte externa del refractor y de la lente. La frecuencia de la limpieza dependerá del nivel de polvo del ambiente y de la potencia de la luz mínima aceptable para el usuario. El refractor/la lente se debe lavar con una solución de agua tibia y detergente de uso doméstico suave no abrasivo, enjuagar con agua limpia y secar. Si el montaje óptico se ensuciara por dentro, limpie el refractor o la lente como se indicó anteriormente; de ser necesario, reemplace las juntas dañadas.
- **NO INSTALE EL PRODUCTO SI ESTÁ DAÑADO**
- Reciclado: Para obtener información sobre cómo reciclar productos electrónicos LED, visite www.epa.gov.
- Estas instrucciones no pretenden cubrir todos los detalles o las variaciones de los equipos ni abarcar todas las posibles eventualidades relacionadas con la instalación, el funcionamiento o el mantenimiento. Si necesita más información o surgen problemas específicos que no están debidamente cubiertos en la información del producto, remítase a Acuity Brands Lighting, Inc.



ADVERTENCIA RIESGO DE CHOQUE ELÉCTRICO

- ▶ Desconecte o interrumpa la energía eléctrica antes de realizar la instalación o la reparación.
- ▶ Verifique que el voltaje de alimentación sea correcto; compárelo con la información de la etiqueta de la luminaria.
- ▶ Realice todas las conexiones eléctricas y a tierra en cumplimiento del Código Eléctrico Nacional y de los requisitos del código local vigente.
- ▶ Todas las conexiones de cableado deben cubrirse con conectores para cable reconocidos y aprobados por UL.



PRECAUCIÓN RIESGO DE LESIONES

- ▶ Use gafas y guantes de protección en todo momento al retirar la luminaria de la caja, al instalarla, repararla o realizar operaciones de mantenimiento.
- ▶ Una vez encendida la fuente de luz, evite la exposición directa con los ojos.



ADVERTENCIA RIESGO DE QUEMADURAS

- ▶ Antes de manipular el montaje, déjelo enfriar. No toque la carcasa ni la fuente de iluminación.
- ▶ No supere el voltaje máximo señalado en la etiqueta de la luminaria.
- ▶ Respete todas las advertencias, recomendaciones y restricciones que proporciona el fabricante para: tipo de conductor, posición de funcionamiento, puntos o métodos de montaje, reemplazo y reciclado.
- ▶ Use sólo lámparas que cumplan los estándares ANSI.



PRECAUCIÓN RIESGO DE INCENDIO

- ▶ Mantenga lejos de la luminaria y de las lámparas/lentes, los materiales combustibles y de otro tipo que se puedan incendiar.
- ▶ No las encienda cerca de personas, materiales combustibles o sustancias inflamables.



PRECAUCIÓN RIESGO DE DAÑO PARA EL PRODUCTO

- ▶ Jamás conecte componentes bajo carga.
- ▶ No monte estos montajes de manera que puedan cortar el revestimiento exterior o dañar el aislamiento de los cables.
- ▶ A menos que las especificaciones del producto individual consideren lo contrario: jamás conecte un producto LED directamente a un paquete de reducción de intensidad de la luz, sensores de ocupación, dispositivos de temporización ni demás dispositivos de control relacionados. Los montajes LED se deben apagar directamente de un circuito de interruptores.
- ▶ A menos que las especificaciones del producto individual consideren lo contrario: no limite la ventilación del montaje. Deje un poco de espacio alrededor del montaje. Evite cubrir los montajes LED con aislación, goma u otro material que evitará la convección o el enfriamiento de la conducción.
- ▶ A menos que las especificaciones del producto individual consideren lo contrario: no supere la temperatura ambiente máxima para el montaje.
- ▶ Use el montaje sólo en la ubicación para la que está diseñado.
- ▶ Los productos LED son sensibles a la polaridad. Asegure la correcta polaridad antes de la instalación.
- ▶ Descarga electrostática (DES): la DES puede dañar los montajes LED. Durante la instalación o reparación de la unidad se debe usar siempre equipo personal conectado a tierra.
- ▶ No toque componentes eléctricos individuales ya que esto puede causar DES, reducir la vida útil de la lámpara o alterar el funcionamiento.
- ▶ Es posible que algunos componentes dentro del montaje no se puedan reparar. En el caso improbable de que su unidad requiera reparación, deje de usar la unidad inmediatamente y comuníquese con un representante de ABL para obtener ayuda.
- ▶ Los cambios o modificaciones no aprobados expresamente por Acuity Brands Lighting pueden anular la autoridad del usuario para usar el equipo.
- ▶ Lea siempre las instrucciones de instalación completa de montaje antes de la instalación para verificar si hay advertencias específicas de montaje adicionales.

Este equipo se ha probado y se ha encontrado para conformarse con los límites para un dispositivo de la clase B digital, conforme a la parte 15 de las reglas de la FCC. Estos límites se diseñan para proporcionar la protección razonable contra interferencia dañosa cuando están utilizados en una instalación residencial. Este equipo genera, las aplicaciones y puede irradiar energía de la radiofrecuencia. Si no instalado y utilizado de acuerdo con el manual de la instrucción, este equipo puede causar interferencia dañosa a las comunicaciones por radio. La operación está conforme a las dos condiciones siguientes.

Sin embargo, no se puede garantizar que no se produzcan interferencias en una instalación en particular. Si este equipo ocasionara interferencias perjudiciales para la recepción de las señales de radio o televisión, las que pueden detectarse al encender y apagar el equipo, el usuario debe intentar corregirlas por medio de una de las siguientes medidas:

- Orientar la antena receptora en otra dirección o ubicarla en otro sitio.
- Aumentar la separación entre el equipo y el receptor.
- Conectar el equipo a una toma de corriente de un circuito diferente del que esté conectado al receptor.
- Solicitar ayuda al comerciante o a un técnico experto en radio/TV.

GARANTÍA LIMITADA POR 5 AÑOS

El incumplimiento de alguna de estas instrucciones puede anular la garantía del producto. Para obtener la lista completa de los términos y las condiciones respecto al producto, visite www.acuitybrands.com. Acuity Brands Lighting, Inc. no se hace responsable por los reclamos que puedan surgir de la instalación o manipulación inadecuada o negligente de sus productos.

Cuando reciba el aparato, inspeccione minuciosamente para detectar posibles daños por el envío. Informe todos los daños a la compañía a cargo del envío. Compare la descripción de catálogo incluida en el comprobante de empaque con la etiqueta del aparato en el interior del paquete para asegurarse de haber recibido la mercadería correcta. **Nota:** Tenga cuidado con las piezas pequeñas y destruya el material de embalaje, ya que pueden ser peligrosos si están al alcance de niños.

¡Apague la electricidad en la caja de rtacircuitos!

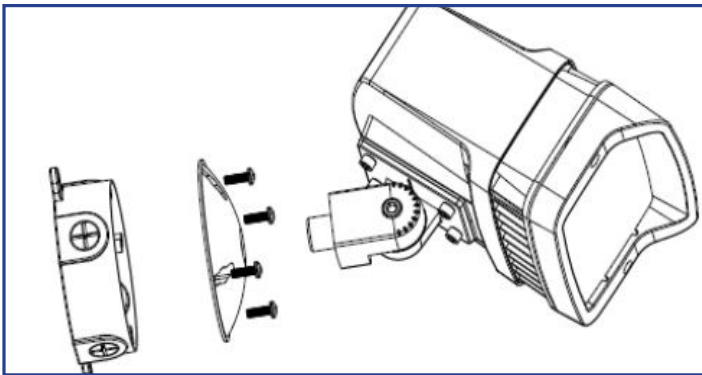
ATENCIÓN: No se confie de cortar la corriente en el interruptor mural solamente.

OFL1 THK - Montaje de la articulación roscada:

HERRAMIENTAS REQUERIDAS: 1/4" hex socket driver

Retire la tuerca de seguridad y enrosque la articulación en un orificio NPS de 1/2 in en un aparato de montaje compatible. **Nota:** Selle la rosca de brazo con una cinta de teflón o con sellador de silicona. Vuelva a instalar la tuerca de seguridad y ajuste para asegurar. Consulte las instrucciones de cableado para la conexión de alimentación en la página siguiente.

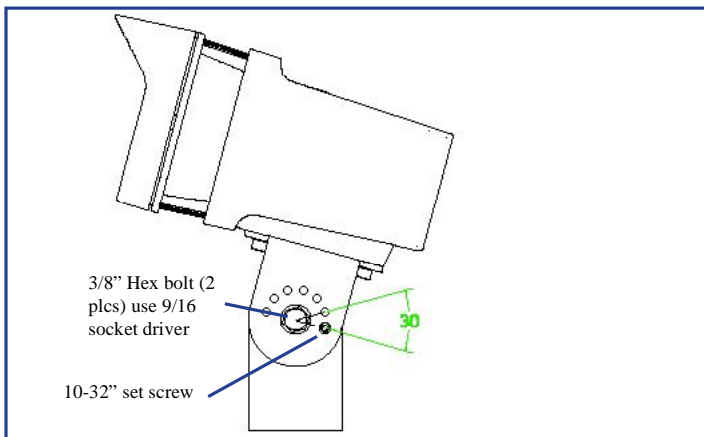
Para ajustar el ángulo de inclinación del aparato, afloje el tornillo de cabeza Phillips de 5/16 in. Rote el aparato hasta alcanzar el ángulo deseado y vuelva a apretar el tornillo a 30 ft-lb.



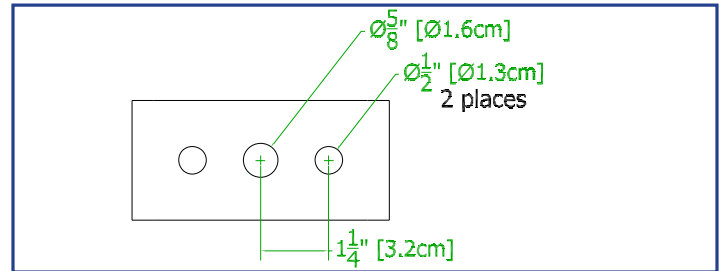
OFL1&2 YK - Montaje del yugo:

HERRAMIENTAS REQUERIDAS: Hex socket driver and regular screwdriver.

Para ajustar el ángulo de inclinación del aparato, afloje, pero no quite, los pernos hexagonales de 3/8 in de ambos lados del yugo. Mientras sostiene el peso del aparato, retire el tornillo de fijación de cabeza hexagonal 10-32, ajuste hacia el ángulo deseado y vuelva a instalar el tornillo de cabeza hexagonal en el lugar correspondiente. Vuelva a ajustar los pernos hexagonales para asegurar.



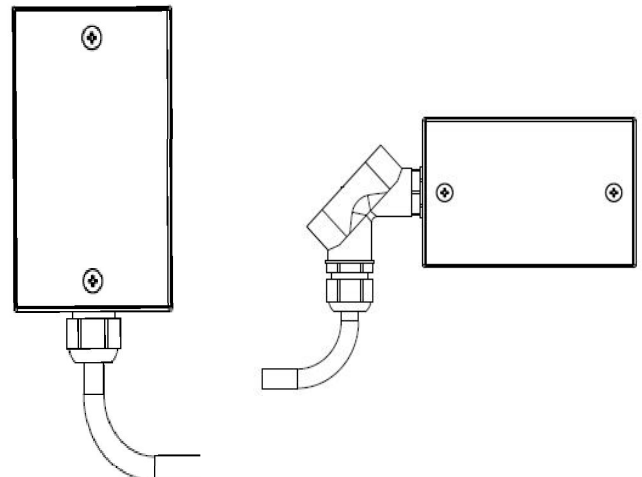
Monte el aparato en el soporte deseado utilizando el patrón de agujeros previsto en el soporte de yugo (consulte el modelo a continuación) con un perno de 5/8 in (si se utiliza el orificio central) o con pernos de 1/2 in (si se utilizan los agujeros exteriores), con la arandela de bloqueo y con la tuerca (no incluida). Ajuste a 30 ft-lb.



La opción de montaje de yugo viene con un cable de alimentación de 16 AWG. El cable de alimentación tiene un diámetro exterior (OD) de 0,4 pulgadas. Para realizar una instalación en una caja de conexiones al aire libre, se requiere de un conector de cable impermeable CERTIFICADO POR LA UL que sea compatible con un cable flexible para lugares húmedos de 0,4 pulgadas de diámetro. Consulte la imagen que aparece más abajo.



Cuando se realiza una instalación en una caja de conexiones al aire libre y con el fin de reducir el riesgo de entrada de agua, asegúrese de que la cinta de teflón o el sellador de silicona se apliquen sobre la parte roscada de la conexión. Se recomienda que el conector del cable impermeable se instale de modo que el cable de alimentación salga hacia el suelo. Si el cableado existente no permite la instalación de cables que salgan hacia el suelo, se recomienda utilizar un codo apto para lugares húmedos para que el cable pueda salir hacia el suelo. Consulte la imagen que aparece más abajo. Consulte las instrucciones de cableado en la página siguiente para la conexión de alimentación.



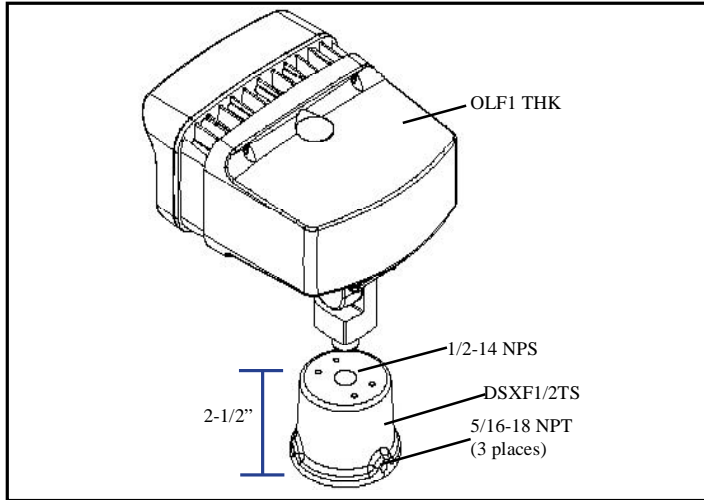


GUÍA DE LOCALIZACIÓN DE AVERÍAS

ACCESORIOS (se venden por separado)

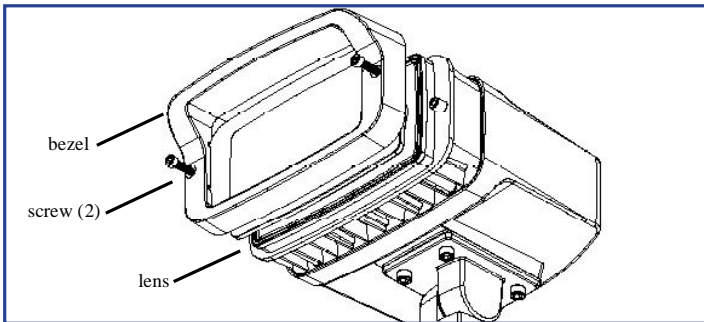
Posicionador deslizante para espiga (DSXF1/2TS) para utilizar con OFL1 THK:

Una el posicionador deslizante para espiga (se vende por separado) a la articulación roscada de 1/2 in del aparato. Asegure al extremo superior de un tubo de 1-1/4 in a 2 in ajustando los tornillos de fijación a 12ft-lb y asegure con la tuerca de seguridad. Nota: Selle la rosca de brazo con una cinta de teflón o con sellador de silicona.



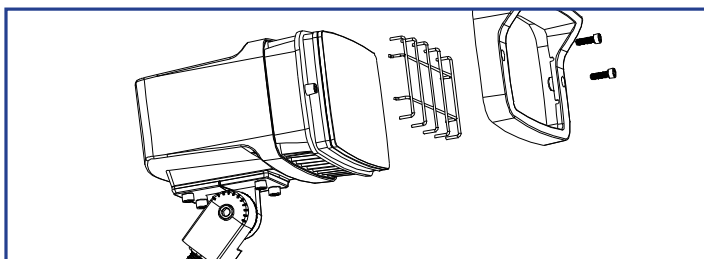
Rejilla de protección (escudo de policarbonato)

Para instalar la rejilla de protección, desenrosque los (2) tornillos de cabeza Allen 10-24 en la parte frontal del bisel y retire el bisel. Vuelva a colocar la lente de cristal con la rejilla y vuelva a instalar el bisel. *Nota:* No toque el led



Rejilla de protección

Para instalar la rejilla de protección, desenrosque los (2) tornillos de cabeza Allen 10-24 en la parte frontal del bisel y retire el bisel. Inserte la rejilla de protección y vuelva a instalar el bisel. *Nota:* No quite el vidrio ni toque el led.



PRECAUCIÓN: OPERACIÓN DEL LUMINARIO Y ALAMBRADO

Cerócese que la fuente de alimentación eléctrica este apagada.

Para poner a tierra el luminario, utilice una Tuerca de Alambres para conectar el alambre de tierra de suministro de la casa y el alambre (cobre) de tierra del luminario (verde).

Nota: Si el alambrado de la casa no incluye un alambre de Conexión a Tierra, consulte su código eléctrico local para métodos aprobados para conectar a tierra.

Para una conexión apropiada, coloque el capuchón de alambre sobre los alambres y gire en el sentido de las agujas del reloj hasta que este apretado.

CONEXIÓN DEL SUMINISTRO ELÉCTRICO

Use capuchones de alambres para conectar los dos alambres negro del luminario al alambre negro del suministro de electricidad de la casa y los dos alambres blanco del luminario al blanco (neutral) del suministro de electricidad de la casa.

Guía de Localización de Averías

Si este luminario falla de operar apropiadamente, use la siguiente guía para diagnosticar y corregir el problema.

- Verifique que el luminario este alambrado apropiadamente.
- Verifique que el luminario este conectado tierra correctamente.
- El voltaje de la línea en el luminario este correcto.

Si necesita obtener más ayuda técnica, comuníquese con: Soporte técnico al: (800) 279-8041.

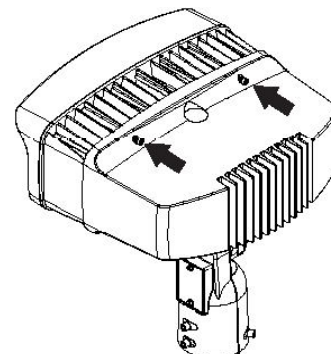
Limpieza y mantenimiento

Precaución: Asegúrese de que la temperatura del aparato es lo suficientemente fría para tocarlo. No limpie ni realice mantenimiento mientras el aparato está encendido.

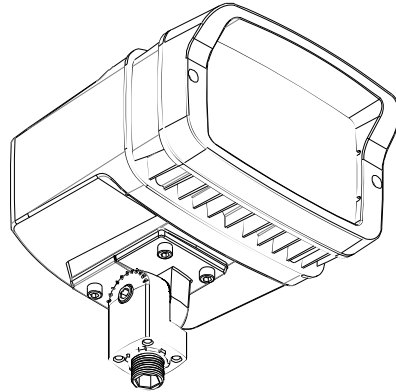
Esta lámpara LED con detector de movimiento necesita muy poco mantenimiento y no es necesario cambiar los focos. Limpie las superficies con un limpiador suave no abrasivo. No toque el led.

Acceso al controlador

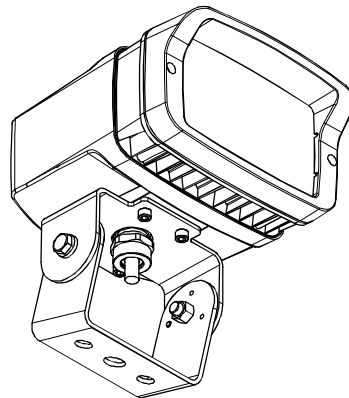
El controlador está precableado para que no sea necesario el acceso al controlador durante la instalación, pero en caso de un fallo, se puede acceder y reemplazarlo. Para acceder al compartimento del controlador, desenrosque los (4) tornillos de cabeza Allen 8-32 en la parte posterior de la carcasa, y retire el conjunto del bisel y el disipador de calor.



Luminaire à projecteur DEL



Numéro des modèle
OFL1 LED THK
OFL1 LED YK



Pour votre propre protection. Avant de procéder à l'installation, veuillez lire attentivement ces directives et les conserver pour référence ultérieure. Date de l'installation : _____

Tout manquement au respect de ces instructions pourrait rendre nulles les garanties. Pour une liste complète des conditions générales du produit, veuillez vous rendre sur www.acuitybrands.com. Acuity Brands Lighting, Inc. n'assume aucune responsabilité pour les réclamations découlant d'une installation ou d'une manipulation incorrectes ou négligentes de ses produits.

Pour toute autre assistance, veuillez contacter nos services de support technique: le soutien technique au: **(800) 279-8041**

VEUILLEZ LIRE ET RESPECTER TOUTES LES CONSIGNES DE SÉCURITÉ!

- Afin de réduire le risque de blessures personnelles ou de mort, ou d'endommager le matériel en raison d'un incendie, d'un choc électrique, de la chute de pièces, de coupures/abrasions ou de tout autre danger, lisez tous les avertissements et instructions compris dans et sur la boîte de la fixation et toutes ses étiquettes.
- Avant d'installer, d'entretenir ou de réaliser une maintenance de routine sur cet équipement, tenez compte de ces précautions générales.
- L'installation commerciale, l'entretien et les réparations des lampes ne devraient être effectuées que par un électricien diplômé et qualifié.
- Pour les installations résidentielles : Si vous avez des doutes quant à l'installation ou l'entretien des lampes, consultez un électricien diplômé et qualifié et vérifiez votre code de l'électricité local.
- Ce luminaire est conçu pour être connecté à une boîte de jonction certifiée UL, correctement installée et mise à la terre.
- Il sera occasionnellement nécessaire de nettoyer la partie extérieure du réflecteur/ de la lentille. Le réflecteur/la lentille doit être lavé(e) dans une solution d'eau tiède et avec un détergent ménager doux et non abrasif, puis rincé(e) à l'eau claire et essuyé(e). En cas d'accumulation de saletés à l'intérieur de l'ensemble optique, essuyez le réflecteur/la lentille et nettoyez comme indiqué ci-dessus, en remplaçant les joints endommagés selon le besoin.
- **N'INSTALLEZ PAS UN PRODUIT ENDOMMAGÉ !**
- Recyclage : pour des informations sur la manière de recycler les produits électroniques à DEL, veuillez vous rendre sur www.epa.gov.
- Ces instructions ne sont pas censées couvrir tous les détails ou variations de l'équipement ni fournir toutes les éventualités possibles en ce qui concerne l'installation, l'utilisation ou l'entretien. Si des informations supplémentaires devaient s'avérer nécessaires, ou si des problèmes particuliers se présentent et ne sont pas suffisamment repris pour l'acheteur ou du propriétaire, il conviendra de contacter Acuity Brands Lighting, Inc à ce sujet.



AVERTISSEMENT RISQUE DE CHOC ÉLECTRIQUE

- ▶ Débranchez ou coupez l'alimentation avant l'installation ou l'entretien.
- ▶ Vérifiez que la tension d'alimentation est correcte en la comparant avec les informations sur l'étiquette de la lampe.
- ▶ Réalisez tous les raccordements électriques et de masse conformément aux exigences du Code national de l'électricité et de tout code local applicable.
- ▶ Tous les raccordements câblés doivent être faits avec des connecteurs de câbles certifiés UL.



ATTENTION RISQUE DE BLESSURE

- ▶ Portez des gants et des lunettes de protection en permanence lorsque vous retirez la lampe du carton et que vous procédez à l'installation, à l'entretien ou à des réparations.
- ▶ Évitez le contact direct des yeux avec la source de lumière lorsqu'elle est allumée.



AVERTISSEMENT RISQUE DE BRÛLURE

- ▶ Laissez refroidir la fixation avant de la manipuler. Ne touchez pas l'enceinte ou la source de lumière.
- ▶ Ne dépassez pas la puissance maximum indiquée sur l'étiquette de la lampe.
- ▶ Respectez tous les avertissements, recommandations et restrictions du fabricant de lampe pour le circuit d'attaque, la position de fonctionnement, les méthodes/ endroits de montage, le remplacement et le recyclage.
- ▶ Utilisez uniquement les lampes qui sont conformes aux normes ANSI.



ATTENTION RISQUE D'INCENDIE

- ▶ Conservez les matériaux combustibles et tout autre élément pouvant prendre feu à l'écart de la lampe/lentille.
- ▶ Ne l'utilisez pas à proximité de personnes, de matériaux combustibles ou de substances affectées par la chaleur.



ATTENTION RISQUE D'ENDOMMAGEMENT DU PRODUIT

- ▶ Ne connectez jamais des composants sous charge.
- ▶ Ne montez ni soutenez pas ces fixations d'une manière qui pourrait sectionner la gaine extérieure ou endommager l'isolation de câble.
- ▶ Sauf si contraire aux spécifications du produit individuel : ne connectez jamais un produit à DEL directement à des packs de gradation de la lumière, des capteurs d'occupation, des dispositifs de minuterie ou d'autres dispositifs de commande liés. Les fixations DEL doivent être alimentées directement hors d'un circuit à interrupteur.
- ▶ Sauf si contraire aux spécifications du produit individuel : Sauf si contraire aux spécifications du produit individuel : ne pas limiter la ventilation de la fixation. Laissez un espace libre suffisant autour de la fixation. Évitez de couvrir les fixations DEL avec de l'isolation, de la mousse ou d'autres matériaux qui empêcheront le refroidissement de convection ou de conduction.
- ▶ Sauf si contraire aux spécifications du produit individuel : ne pas dépasser la température ambiante maximum à laquelle les fixations sont exposées.
- ▶ N'utilisez la fixation que dans l'emplacement prévu à cet effet.
- ▶ Les produits à DEL sont sensibles à la polarité. Assurez-vous que la polarité est correcte avant l'installation.
- ▶ Décharge électrostatique (DES) : les DES peuvent endommager les fixations DEL. Un équipement de mise à la masse personnel doit être porté lors de toute installation ou entretien de l'unité.
- ▶ Ne touchez pas les composants électriques individuels car cela peut causer une DES, réduire la durée de vie de la lampe ou altérer ses performances.
- ▶ Certains composants à l'intérieur de la fixation peuvent ne pas être réparables. Dans le cas peut probable où votre unité aurait besoin d'être réparée, arrêtez immédiatement d'utiliser l'unité et contactez un représentant ABL pour obtenir de l'aide.
- ▶ Les changements ou les modifications qui ne sont pas expressément approuvés par Acuity Brands Lighting pourraient rendre nulle et non avenue l'autorisation d'utiliser ce matériel.
- ▶ Lisez toujours les instructions d'installation complètes des fixations avant l'installation pour les autres avertissements spécifiques de la fixation.

cet équipement a été testé et respecte les limites des normes relatives aux articles numériques de Classe B établies dans la partie 15 du règlement de la FCC. Ces limites ont été établies pour offrir une protection raisonnable contre les interférences nuisibles dans les installations résidentielles. Cet appareil génère, utilise et peut émettre de l'énergie de radio fréquence. S'il n'est pas installé de manière conforme aux instructions, il peut causer des interférences nuisibles aux communications radio. Il n'est toutefois pas garanti que de l'interférence ne se produira pas dans une installation dommée. Si cet équipement cause de l'interférence nuisibles à la réception radiophonique ou télévisuelle, ce qui peut être déterminé en allumant et en éteignant l'équipement, l'utilisateur est encouragé à suivre l'une ou l'ensemble des mesures suivantes pour corriger l'interférence :

- Réorienter ou déplacer l'antenne réceptrice.
- Accroître la séparation entre l'équipement et le récepteur.
- Brancher l'équipement sur une prise utilisant un circuit d'alimentation différent de celui sur lequel le récepteur est connecté.
- Demander l'aide du concessionnaire ou d'un technicien expert dans les radio et de la télévision.

GARANTIE LIMITÉE DE 5 ANS

Tout manquement au respect de ces instructions pourrait rendre nulles les garanties. Pour une liste complète des conditions générales du produit, veuillez vous rendre sur www.acuitybrands.com. Acuity Brands Lighting, Inc. n'assume aucune responsabilité pour les réclamations découlant d'une installation ou d'une manipulation incorrectes ou négligentes de ses produits.

Lors de la réception du luminaire, procéder à une inspection minutieuse à la recherche de dommages éventuels subis lors du transport. Tous les dommages doivent être signalés au transporteur livreur. Comparez la description du catalogue indiquée sur le bordereau d'emballage avec l'étiquette du luminaire à l'intérieur du boîtier afin de vous assurer que vous avez reçu les bonnes marchandises. **Note:** Faites attention aux petites pièces et détruisez le matériel d'emballage car ils pourraient être dangereux pour les enfants.

Couper l'électricité au fusible ou au disjoncteur!

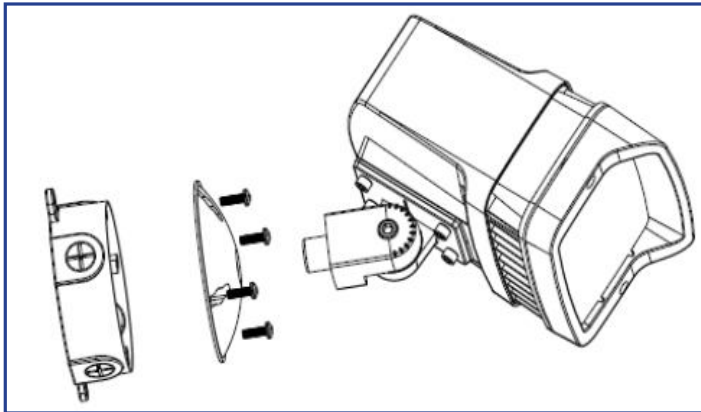
ATTENTION: Ne coupez pas le courant uniquement au niveau de l'interrupteur mural.

OFL1 THK - Montage de l'articulation filetée :

OUTILS REQUIS: 1/4" hex socket driver

Retirer le contre-écrou et l'articulation filetée dans un trou NPS d'1/2 po (1,25 cm) dans un dispositif de montage compatible. **Remarque :** Sceller le filetage du bras en utilisant un ruban de Teflon ou un agent d'étanchéité en silicone. Replacer le contre-écrou et serrer à fond. Consulter les instructions de câblage du connecteur d'alimentation à la page suivante.

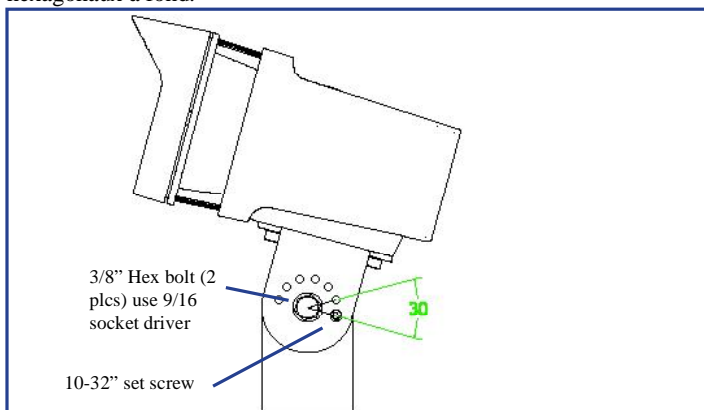
Pour ajuster l'angle d'inclinaison du luminaire, desserrer la vis cruciforme Philips de 5/16 po. Faire pivoter le luminaire jusqu'à l'angle souhaité et resserrer la vis jusqu'à 30pi-lb.



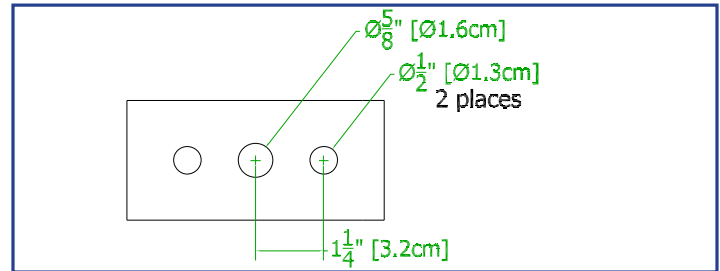
OFL1&2 YK - Montage de la culasse :

OUTILS REQUIS: Hex socket driver and regular screwdriver.

Pour ajuster l'angle d'inclinaison du luminaire, desserrer sans retirer les boulons hexagonaux de 3/8 po des deux côtés de la culasse. Tout en soutenant le luminaire, retirer la vis de calage à tête hexagonale de 10-32 po, ajuster jusqu'à l'angle souhaité et replacer la vis de calage à tête hexagonale dans le trou correspondant approprié. Resserrer les boulons hexagonaux à fond.



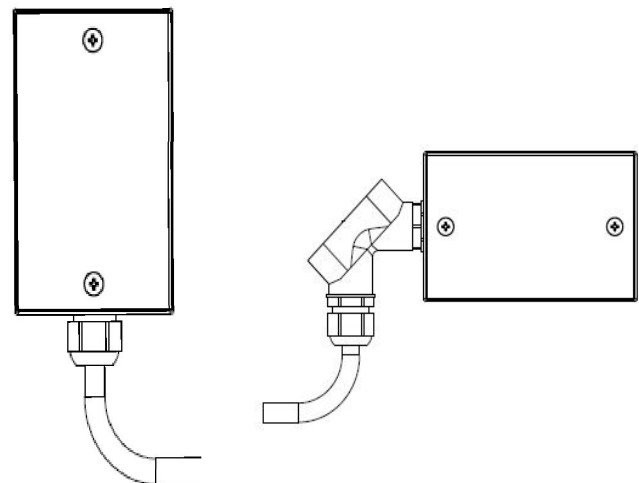
Fixer le luminaire sur le support souhaité à l'aide des orifices fournis sur le support de la culasse (voir modèle ci-dessous) avec un boulon de 5/8 po (si un boulon central est utilisé) ou des boulons de 1/2 po (si des boulons extérieurs sont utilisés), une rondelle de sécurité et un écrou (non fournis). Serrer jusqu'à 30 pi-lb.



L'option de montage Yoke est fournie avec un cordon d'alimentation de 16 AWG. Le diamètre extérieur du cordon d'alimentation est de 0,91 cm (0,4 po). Un connecteur de cordon étanche à l'eau homologuée UL compatible à la taille de diamètre de 0,91 cm (0,4 po) du cordon souple en endroit mouillé est nécessaire pour une installation sur une boîte de jonction extérieure. Voir image ci-dessous.



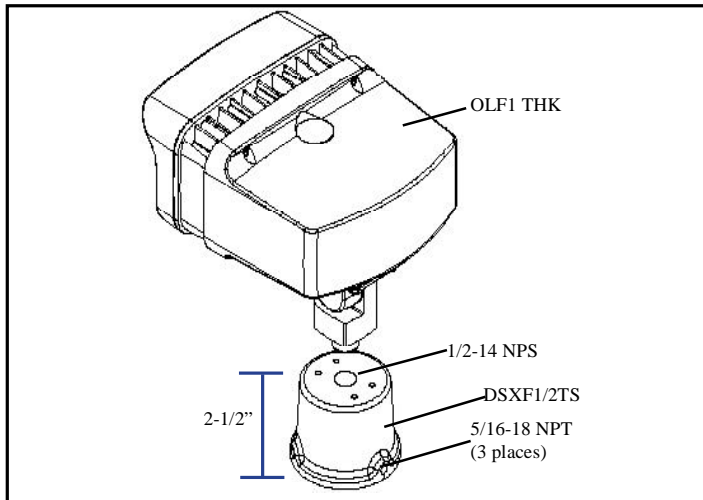
Lors d'une installation sur une boîte de jonction extérieure, et dans le but de réduire le risque d'infiltration d'eau, veiller à ce qu'un ruban de téflon ou de silicone soit appliqué sur la partie filetée du raccord à l'installation. Il est recommandé que le connecteur de cordon étanche soit installé de façon à ce que le cordon d'alimentation sorte vers le sol. Si le câblage existant ne permet pas une installation où le fils sort vers le sol, il est recommandé d'utiliser un coude adapté pour une utilisation dans les endroits mouillés afin que le cordon puisse sortir vers le sol. Voir les images ci-dessous. Consulter les instructions de câblage du connecteur d'alimentation à la page suivante.



ACCESSOIRES (vendus séparément)

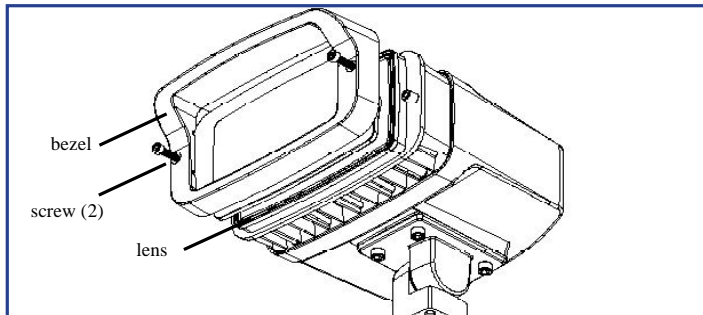
Tenon d'adaptateur d'emboîtement (DSXF1/ZTS) à utiliser avec OFL1 THK :

Fixez le tenon d'adaptateur d'emboîtement (vendu séparément) à l'articulation filetée de 1/2 po du luminaire. Fixer jusqu'à l'extrémité supérieure d'un tuyau de 1-1/4 po à 2 po en serrant les vis de calage jusqu'à 12 pi-lb et bien fixer avec un contre-écrou. Remarque : Sceller le filetage du bras en utilisant du ruban de Teflon ou un agent d'étanchéité en silicone.



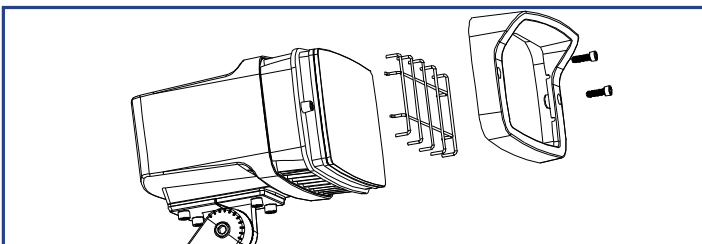
Protection contre le vandalisme (protection en polycarbonate)

Pour placer une protection contre le vandalisme, dévisser les (2) vis à tête creuse de 10-24 sur la partie avant de la lunette et retirer la lunette. Remplacer la lentille en verre par la protection contre le vandalisme et replacer la lunette.



Grille de protection

Pour placer une protection contre le vandalisme, dévisser les (2) vis à tête creuse de 10-24 sur la partie avant de la lunette et retirer la lunette. Insérer la grille de protection et replacer la lunette. **Remarque :** ne pas retirer la lentille en verre et ne pas toucher à la DEL.



MISE EN GARDE: CÂBLAGE ET MODE D'EMPLOI DE L'APPAREIL

Vous assurer de couper le courant avant de procéder au câblage.

Pour la mise à terre de l'appareil, connecter le fil de terre de l'alimentation (cuivre) au fil de terre (vert) de l'appareil, à l'aide d'un capuchon de connexion.

Note: Si le câblage d'alimentation ne comprend pas un fil de mise à la terre, consulter votre code d'électricité local et vérifier les méthodes conformes pour la mise à la terre.

Pour vous assurer d'un bon raccordement, mettre le capuchon sur les fils et tourner dans le sens de rotation horaire jusqu'à ce que la connexion soit solide.

RACCORDEMENT DE L'ALIMENTATION

Employer des capuchons de connexion (6) pour connecter les deux fils noirs de l'appareil au fil d'alimentation noir et les deux fils.

Guide de dépannage:

Si l'appareil ne fonctionne pas adéquatement, veuillez vous servir du guide ci-dessous afin d'identifier et corriger le problème.

- Vérifier si le câblage de l'appareil est bien fait.
- Vérifier si la mise à la terre de l'appareil est adéquate.
- Vérifier la tension de secteur de l'appareil.

Pour toute autre assistance, veuillez contacter nos services de support technique: le soutien technique au: (800) 279-8041

Nettoyage et entretien

Attention : S'assurer que la température du luminaire est assez basse pour le manipuler. Ne pas procéder à une opération de maintenance ou de nettoyage lorsque le luminaire est sous tension.

Cette lampe à détecteur de mouvement DEL nécessite peu d'entretien et il n'y a aucune ampoule à changer. Nettoyez les surfaces avec un produit doux non abrasif.

Ne pas toucher à la DEL

Accès au conducteur

Le conducteur est précâblé. Par conséquent, l'accès au conducteur pendant l'installation est inutile, mais si un conducteur est inutilisable, il est possible d'y accéder et de le remplacer. Pour accéder au boîtier du conducteur, dévisser les (4) vis à tête creuse de 8-32 à l'arrière du boîtier et retirer l'ensemble de la lunette et du dissipateur.

