



LED Industrial Mesh Light Kit

380009

KICHLER®

Kichler® Lighting
7711 East Pleasant Valley Road
P.O. Box 318010
Cleveland, Ohio 44131-8010

Customer Service
866.558.5706
8:30 AM to 5:00 PM EST,
Monday - Friday

Instruction Manual

KICHLER®


Intertek
3066708

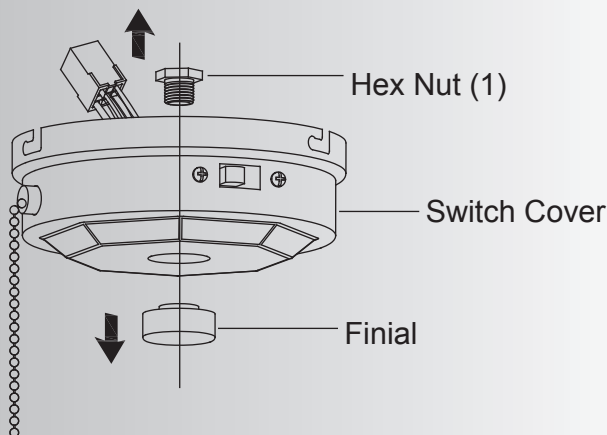
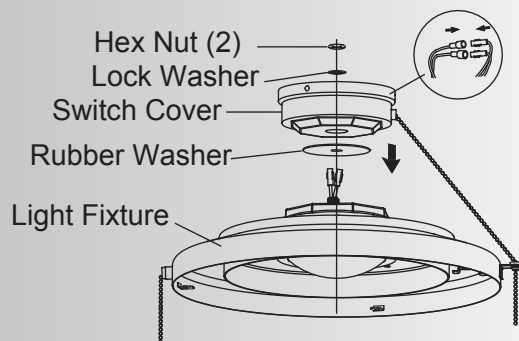
"CAUTION-RISK OF FIRE"

TO REDUCE THE RISK OF ELECTRIC SHOCK, DISCONNECT THE ELECTRICAL SUPPLY CIRCUIT TO THE FAN BEFORE INSTALLING LIGHT KIT. CONSULT A QUALIFIED ELECTRICIAN TO ENSURE CORRECT BRANCH CIRCUIT CONDUCTOR.

1. SAFETY RULES**WARNING! RISK OF ELECTRIC SHOCK**

All electrical connections must be in accordance with local codes, ordinances, or national codes, ANSI / NFPA 70-1999. If you are unfamiliar with methods of installing electrical wiring, secure the services of a qualified electrician. Before starting installation, disconnect the power by turning off the circuit breaker or removing the fuse at fuse block. Turning power off using fan switch (speed control on/off) is not sufficient to prevent electrical shock.

NOTE: The important safeguards and instructions appearing in this manual are not meant to cover all possible conditions and situations that may occur. It must be understood that common sense, caution and care are factors which cannot be built into any product. These factors must be supplied by the person(s) caring for and operating the unit.

**Fig. 1****Fig. 2****2. INSTALLING THE LIGHT KIT**

Step 1. Remove the hex nut (1) and finial located in the bottom of the switch cover by using a tooling. (Fig. 1) Keep them for future use.

Step 2. Feed the electrical wires from the light fixture through the holes in the middle of the rubber washer and switch cover (starting with one by one). Threaded the light fixture onto the switch cover and make sure the pull chain hole on the switch cover is nearest to the one of light fixture and pass it into the hole. Add the lock washer and hex nut (2) onto the inside of the switch cover and tighten securely. (Fig. 2)

Step 3. Connect the BLACK wire connectors from the light fixture and switch housing by pushing them together. Follow the same procedure with the WHITE wire connectors. (Fig. 2)

Step 4. Remove 1 of the 3 screws on the edge of switch housing and loosen the other 2 screws (do not remove). The Square plastic wiring connector from the motor body and switch cover will only fit together one way. Match up the color on the side of each connector, then push them together until the snap engages. Tuck the new connections neatly into the switch cover. Align the key holes on the switch cover with the 2 screws on the edge of the switch housing. Turn switch cover until it locks in place at the narrow end of the key holes. Tighten the 2 screws and reinstall the third screw, making sure all three screws are tight and secure. (Fig. 3)

Step 5. Secure the decorative ring to the light fixture by fitting it up securely to the light fixture. Secure the decorative ring with the flat head screws. (Fig. 4)

Step 6. Attach each of the decorative fobs to the pull chains. (Fig. 5)
Check the operation of the light by gently pulling on the light switch pull chain.
Check the operation of the fan by gently pulling on the speed control switch pull chain.

Your New Kichler Ceiling Fan is now ready to use. Remember to RESTORE all power.

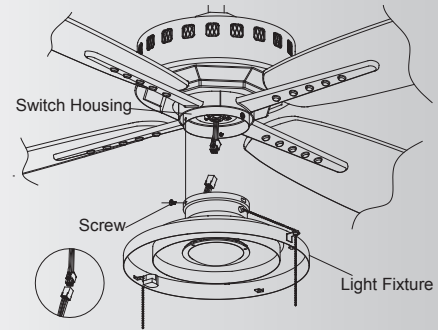


Fig. 3

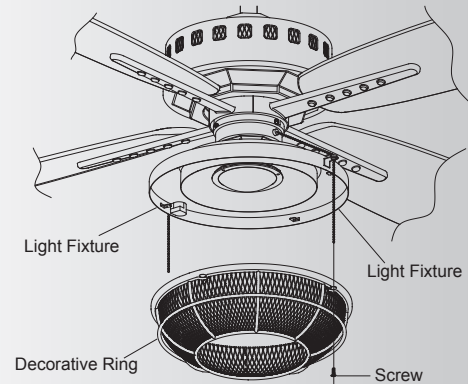


Fig. 4

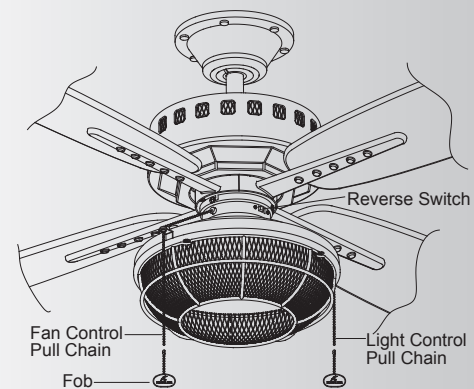


Fig. 5