

TRACK LAMP INSTALLATION GUIDE – WARNING

WARNING – Read all product labels and instructions before installing the fixture.

WARNING – To prevent wiring damage or abrasion, do not expose wiring to edges of sheet metal or other sharp objects.

WARNING – Do not make or alter any open holes in an enclosure of wiring or electrical components during kit installation.

WARNING – The recessed luminaire is intended for mounting only in a covered ceiling where only the LED side of the luminaire will be exposed to dry or damp environments.

WARNING – INSTALLATION SHOULD ONLY BE PERFORMED AFTER POWER TO THE FIXTURE HAS BEEN DISCONNECTED.

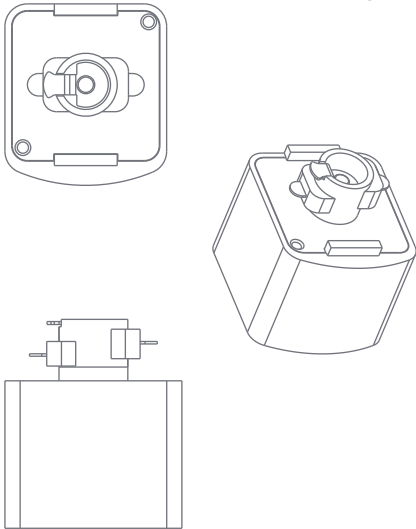
CAUTION – TO REDUCE THE RISK OF FIRE AND ELECTRIC SHOCK, USE WITH THE APPROPRIATE TRACK SYSTEM.

CAUTION – FOR USE WITH CEILING-MOUNTED TRACKS ONLY.

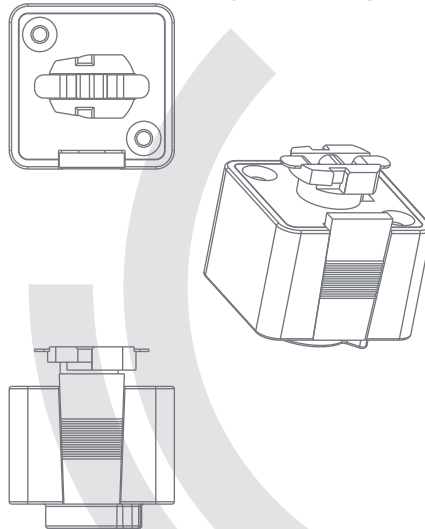
- Do not install any part of this system (TRACK) less than 7 feet (2.2m) above the floor.
- Test the compatibility of the track system and track lamp adaptor before installing the track lamp.

ADAPTOR AND TRACK TYPE RECOGNITION

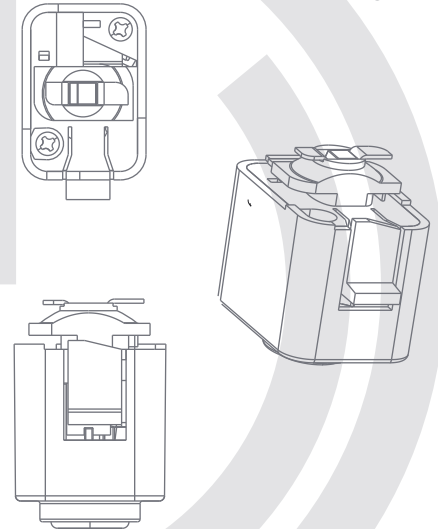
H TYPE ADAPTOR



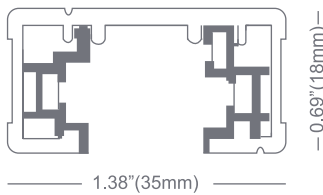
J TYPE ADAPTOR



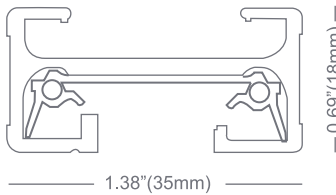
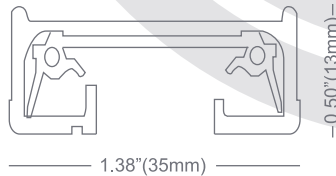
L TYPE ADAPTOR



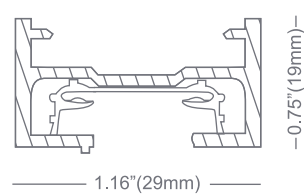
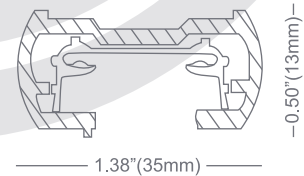
H TRACK TYPE



J TRACK TYPE

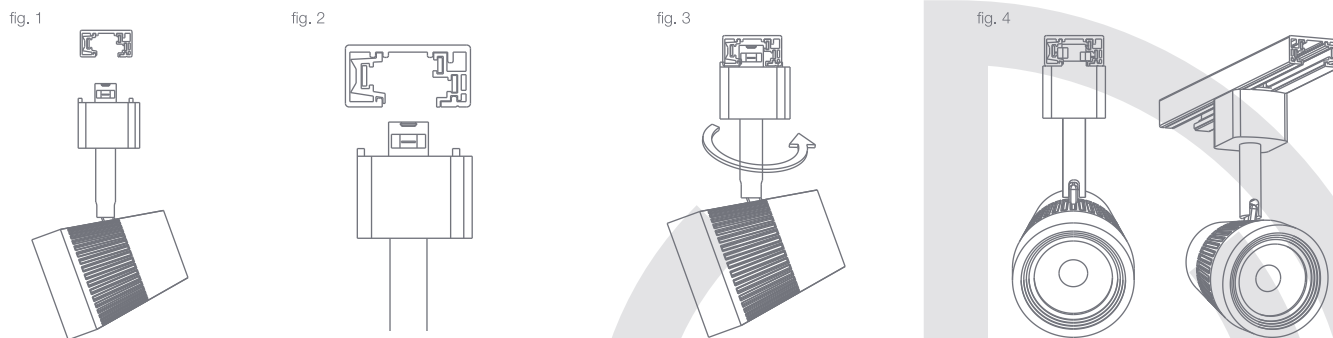


L TRACK TYPE



TRACK INSTALLATION GUIDE – H TYPE

1. Make sure the fixture's adaptor is an H type and compatible with the H track system (fig. 1).
 Note: the H type adaptor is only compatible with single-circuit track types.
2. Insert the head of adaptor into the slot of the track rail making sure the locking tabs are parallel with the track's polarity line. Note: the grounding contact direction (fig. 2).
3. While holding the adaptor aligned with the track, push the fixture upward. Then while pulling down on the adaptor sleeve twist the body of the fixture 90 degrees until the locking tabs on both sides of the adaptor snap into the track groove (fig. 3).
 Note: the ground pin needs to be touching the grounding pin (fig. 4).
 The adaptor only rotates in one direction. Do not forcefully rotate the adaptor in the wrong direction as it may damage it.

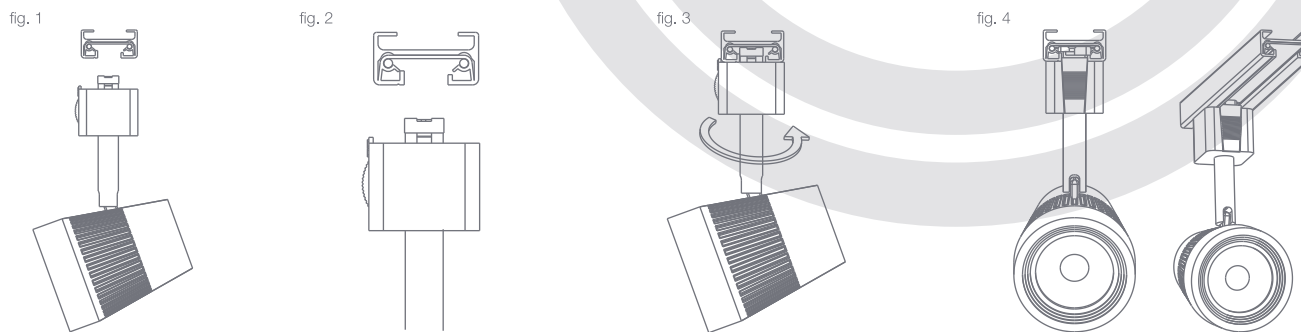


Removing the lamp

1. While holding the fixture in place, pull the adaptor sleeve held down and gently twist the fixture 90 degrees until it can easily be removed from the track groove.

TRACK INSTALLATION GUIDE – J TYPE

1. Make sure the fixture's adaptor is a J type and compatible with the J track system (fig. 1).
 Note: the J type adaptor is compatible with single or two-circuit track types. Simply lift the contact to its up position for two-circuit application.
2. Insert the head of adaptor into the slot of the track rail making sure the locking tab is parallel to the track's polarity line. Note: the grounding contact direction (fig. 2).
3. While holding down the lock tab with your thumb, push the fixture upward, then twist the body of the fixture 90 degrees until the locking tab on the adaptor snaps into the track groove (fig. 3).
 Note: the ground pin needs to be touching the grounding pin (fig. 4).
 The adaptor only rotates in one direction. Do not forcefully rotate the adaptor in the wrong direction as it may damage it.



Removing the lamp

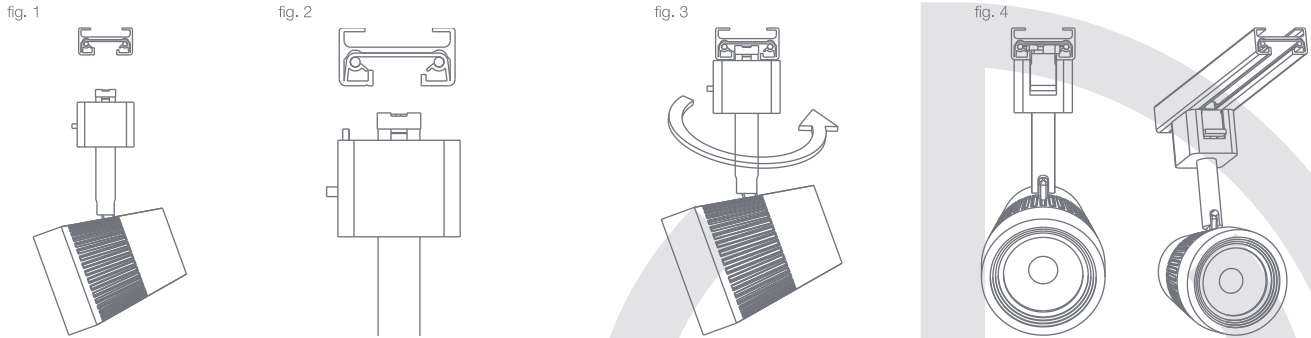
1. While holding the fixture in place, pull the lock tab down and gently twist the fixture 90 degrees until it can easily be removed from the track groove.

TRACK INSTALLATION GUIDE – L TYPE

- Make sure the lamp adaptor is a L type and compatible with the L track system (fig. 1).
 Note: the L type adaptor is compatible with single or two-circuit track types. Simply lift the contact to its up position for two-circuit application.
- Insert the head of adaptor into the slot of the track rail making sure the locking tab is parallel to the track's polarity line (fig. 2).
- While holding the adaptor up to the track, push the fixture upward, then twist the body of the fixture 90 degrees until the locking tab on the adaptor snaps into the track groove (fig. 3).

Note: the ground pin needs to be touching the grounding pin (fig. 4).

The adaptor only rotates in one direction, therefore do not forcefully rotate the adaptor in the wrong direction as it may damage it.



Removing the lamp

- While holding the fixture in place, gently twist the fixture 90 degrees until it can easily be removed from the track groove.

INTERCHANGEABLE LENS GUIDE

- Unscrew and remove the lens cap (fig. 1).
- Do not touch the top surface of the LED with bare hands or hard objects.
- Remove the existing lens (fig. 2).
 Note: The degree angle of each lens is marked in small font on the outer edge.
- Place the new lens in the lens cup and align the indent in the lens with the protruding area on the fixture's base rim (fig. 3).
- Place the lens cap back onto the fixture and screw it in clockwise until it is secure (fig. 4.).

