

INSTALLATION INSTRUCTION
I CAN'T BELIEVE IT'S NOT RECESSED
FM-616

WAC LIGHTING
 Responsible Lighting®

WARNING

IMPORTANT: NEVER attempt any work without shutting off the electricity.

- Read all instructions before installing.
- System is intended for installation by a qualified electrician in accordance with the National Electrical Code and local regulations.
- Go to the main fuse box, or circuit breaker. Place the main power switch in the "OFF" position and unscrew the fuse(s) or switch "OFF" the circuit breaker switch(es) that control the power to the fixture or room that you are working on.
- Place the wall switch in the "OFF" position.
- Supply conductors (Power Wires) Connecting the fixture must be rated minimum 90°C. If uncertain, consult an electrician.

CAUTIONS

- These luminaires (fixtures) are designed to meet the latest NEC requirements and are listed in full compliance with UL 1598.
- Before attempting installation, check your local electrical code, as it sets the wiring standards for your locality.

INSTALLATION

Uses 4" octagonal junction box or junction box with minimum dimensions of 4" x 4" x 1.5" (not a combination 3/0-4/0)

1. Attach two mounting screws into outlet box leaving enough of screw exposed to engage keyholes in the top of fixture (**Fig. 1**).

Note: Keyhole mounting distance is 3.5" (**Fig. 2**).

2. Provide electrical service according to the "National Electrical Code" or your local electrical code to the outlet box.
3. Connect supply wires to fixture wires and insulate with proper wire nuts.
4. Connect incoming ground wire to fixture ground wire (green or bare).
5. Connect incoming common wire to fixture common (white).
6. Connect incoming hot wire to fixture black wire.
7. Raise the fixture to the junction box, guiding screw and tighten screws through keyhole slots.
8. Snap the keyhole covers into place to hide mounted screws.

LENS INSTALLATION

Secure the lens over the LED module by snapping it into place.

Fig. 1

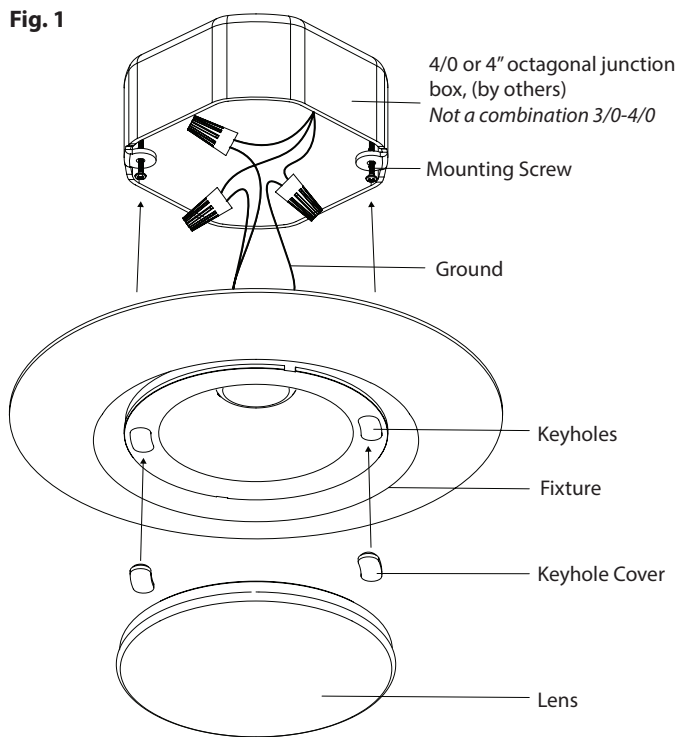
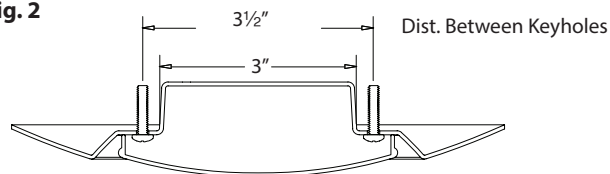


Fig. 2



ACCESSORIES BAG (A-FM616):



Wire Connector
 Qty: 3 pcs
 P3



Junction Box Screw
 Qty: 2 pcs
 #8-32, * 3/4"
 Stainless Steel



Keyhole Cover
 Qty: 2 pcs

wacighting.com
 Phone (800) 526.2588
 Fax (800) 526.2585

Headquarters/Eastern Distribution Center
 44 Harbor Park Drive
 Port Washington, NY 11050

Central Distribution Center
 1600 Distribution Ct
 Lithia Springs, GA 30122

Western Distribution Center
 1750 Archibald Avenue
 Ontario, CA 91760