



BATH COLLECTION

GENERAL PRODUCT INFORMATION:

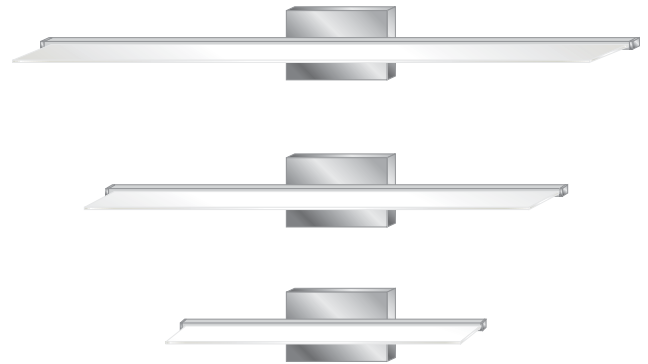
This fixture are intended to be installed utilizing NEC compliant junction boxes.



Suitable for damp locations.

This product may be dimmed with a low-voltage electronic dimmer, TRIAC dimmer, or a 0-10V dimmer depending on the wiring configuration.

This product may be mounted horizontally or vertically.



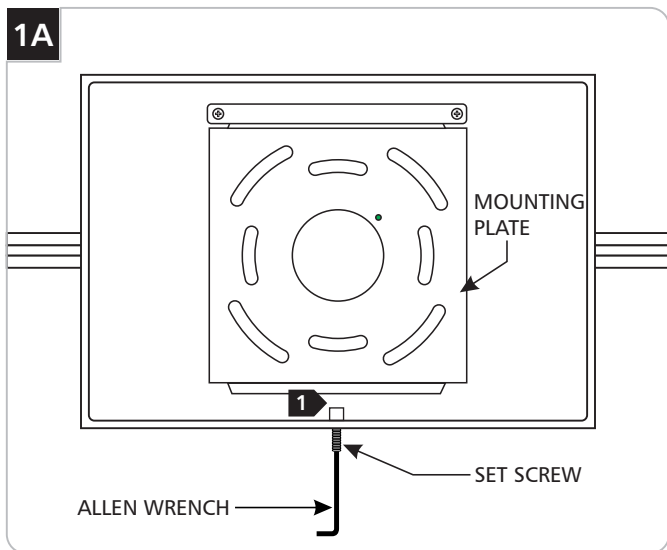
FOR DIRECT VERSIONS ONLY
WARNING: DO NOT REMOVE THE WHITE ADHESIVE FILM from the **TOP AND SIDES** of this fixture. Only **REMOVE THE TRANSPARENT PROTECTIVE FILM** which is located on the **BOTTOM** of the fixture.

CAUTION - RISK OF FIRE
 This product must be installed in accordance with the applicable installation code by a person familiar with the construction and operation of the product and the hazards involved.
 Use minimum 90°C supply conductors.

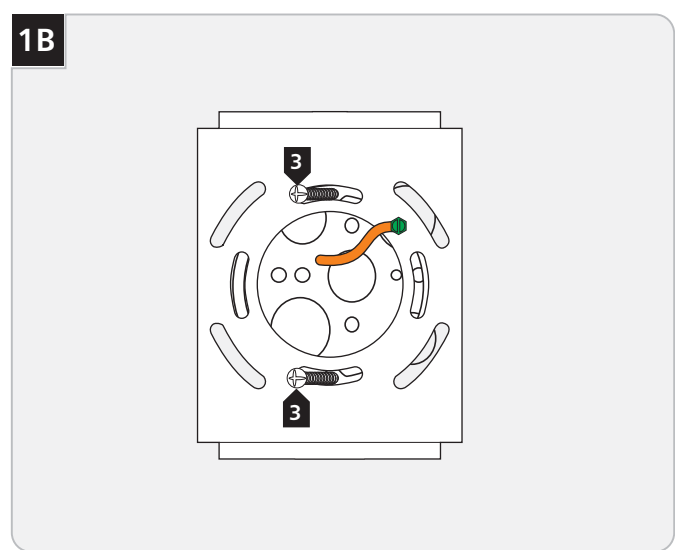
FOR DIRECT/INDIRECT VERSIONS ONLY
WARNING: DO NOT REMOVE THE WHITE ADHESIVE FILM from the **SIDES** of this fixture. Only **REMOVE THE TRANSPARENT PROTECTIVE FILM** which is located on the **TOP AND BOTTOM** of the fixture.

SAVE THESE INSTRUCTIONS!

Install the Back Plate

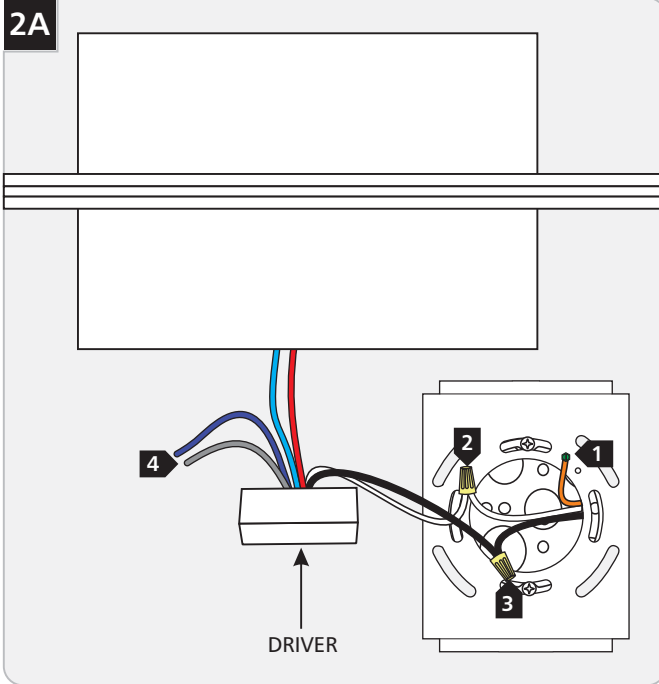


- 1** With the Allen wrench provided, back out (do not fully remove) the set screw at the base of the fixture.
- 2** Remove the mounting plate from the back of the fixture.



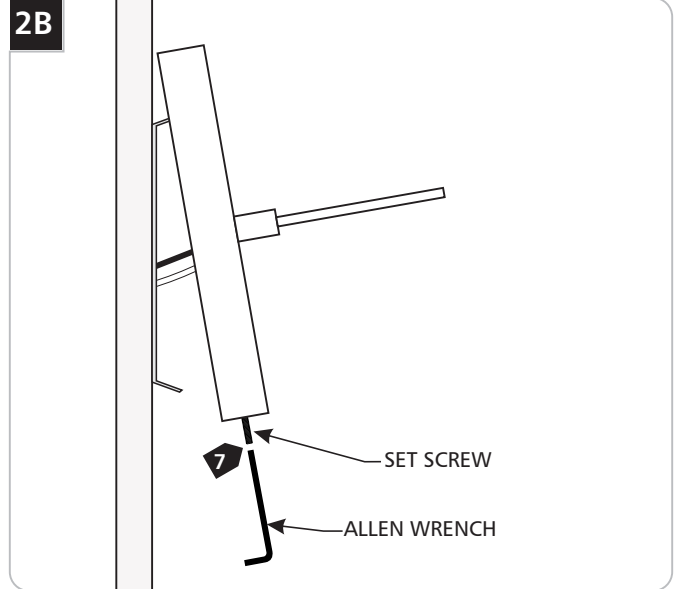
- 3** Attach the mounting plate to the electrical box using the two provided #8-32 screws .

Install the Fixture

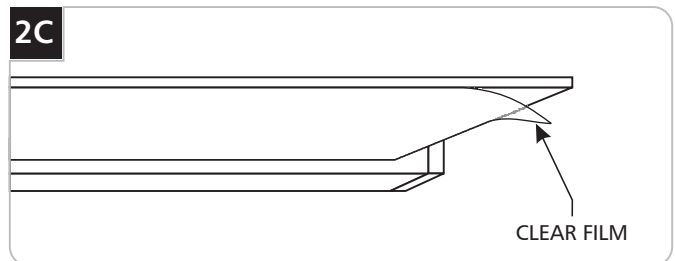


- 1 Connect the backplate wire to a suitable ground in accordance with local electrical codes.
- 2 Connect the white driver wire to the neutral power line.
- 3 Connect the black driver wire to the hot power line.
- 4 Use the gray and purple dimming wires for 0-10v dimming application.

NOTE: The purple and gray wires are only used for 0-10v dimming. For all other applications, do not connect the gray and purple wires.



- 5 Properly place the driver, all wires, and wire nut connections into the canopy.
- 6 Hook the top of the fixture to the top of the mounting plate and swing the bottom of the fixture toward the plate until it is flush with the wall.
- 7 Tighten the set screw at the bottom of the fixture.



FOR DIRECT VERSIONS ONLY

WARNING: DO NOT REMOVE THE WHITE ADHESIVE FILM from the **TOP AND SIDES** of this fixture. Only **REMOVE THE TRANSPARENT PROTECTIVE FILM** which is located on the **BOTTOM** of the fixture.

FOR DIRECT/INDIRECT VERSIONS ONLY

WARNING: DO NOT REMOVE THE WHITE ADHESIVE FILM from the **SIDES** of this fixture. Only **REMOVE THE TRANSPARENT PROTECTIVE FILM** which is located on the **TOP AND BOTTOM** of the fixture.

- 8 Remove only the **CLEAR** protective film.



TECH LIGHTING®

7400 Linder Ave, Skokie, IL 60077

847.410.4400

www.techlighting.com

© 2017 Tech Lighting, L.L.C. All rights reserved. The "Tech Lighting" graphic is a registered trademark of Tech Lighting, L.L.C. Tech Lighting reserves the right to change specifications for product improvements without notification.

A Generation Brands Company