

MaxLite®

MaxLite® LED Vapor Tight Linear Fixture

General Safety Information

- To reduce the risk of death, personal injury or property damage from fire, electric shock, falling parts, cuts/abrasions, and other hazards read all warnings and instructions included with and on the fixture box and all fixture labels.
- Before installing, servicing, or performing routine maintenance upon this equipment, follow these general precautions.
- Commercial installation, service and maintenance of luminaires should be performed by a qualified licensed electrician.
- For Residential installation: If you are unsure about the installation or maintenance of the luminaires, consult a qualified licensed electrician and check your local electrical code.
- DO NOT INSTALL DAMAGED PRODUCT!
- This fixture is intended to be connected to a properly installed and grounded UL listed junction box.



Picture is for illustration purposes only. Your model may vary.

WARNING:

RISK OF ELECTRICAL SHOCK

- Turn off electrical power at fuse or circuit breaker box before wiring fixture to the power supply.
- Turn off the power when you perform any maintenance.
- Verify that supply voltage is correct by comparing it with the luminaire label information.
- Make all electrical and grounded connections in accordance with the National Electrical Code and any applicable local code requirements.
- All wiring connections should be capped with UL approved wire connectors.

CAUTION:

RISK OF INJURY

- Wear gloves and safety glasses at all times when removing luminaire from carton, installing, servicing or performing maintenance.
- Avoid direct eye exposure to the light source while it is on.
- Account for small parts and destroy packing material, as these may be hazardous to children.

CAUTION:

RISK OF FIRE

- Keep combustible and other materials that can burn away from luminaire and lamp/lens.
- MIN 90°C SUPPLY CONDUCTORS.



MaxLite® LED Vapor Tight Linear Fixture

General Wiring Diagram

CAUTION: Turn off electrical power at fuse or circuit breaker box before wiring fixture to the power supply.

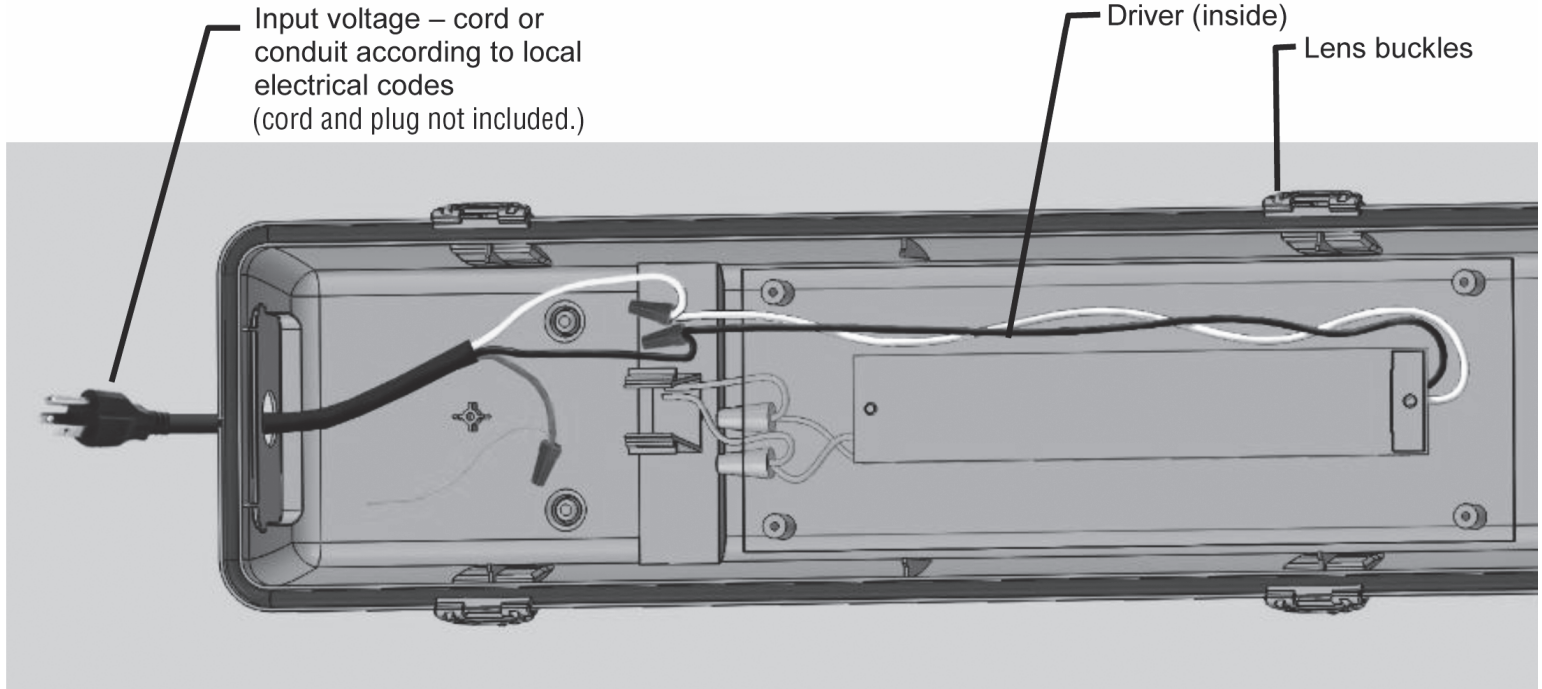
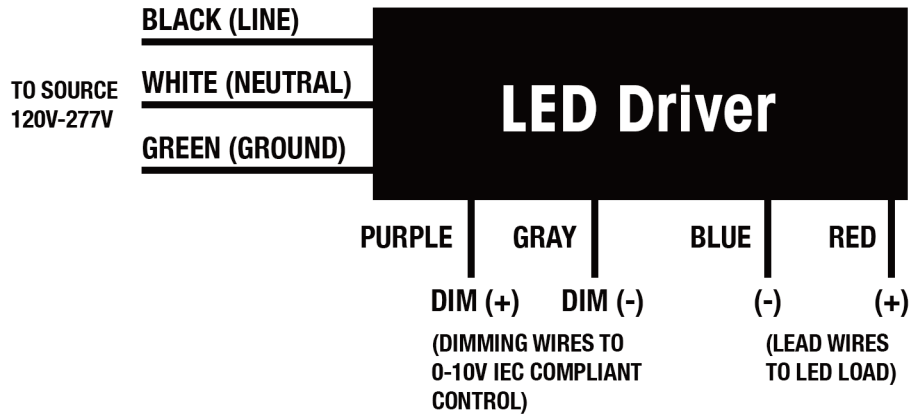
Connecting panels to AC source supply:
All units must be individually connected to the AC supply. (120-277 VAC)

- Black = Line
- White = Neutral
- Green = Ground

Operating characteristic:

Voltage input: 120-277V 50/60 Hz
Operating temp: -20 F to 104F

**Consult with dimmer control manufacturer's wiring instructions



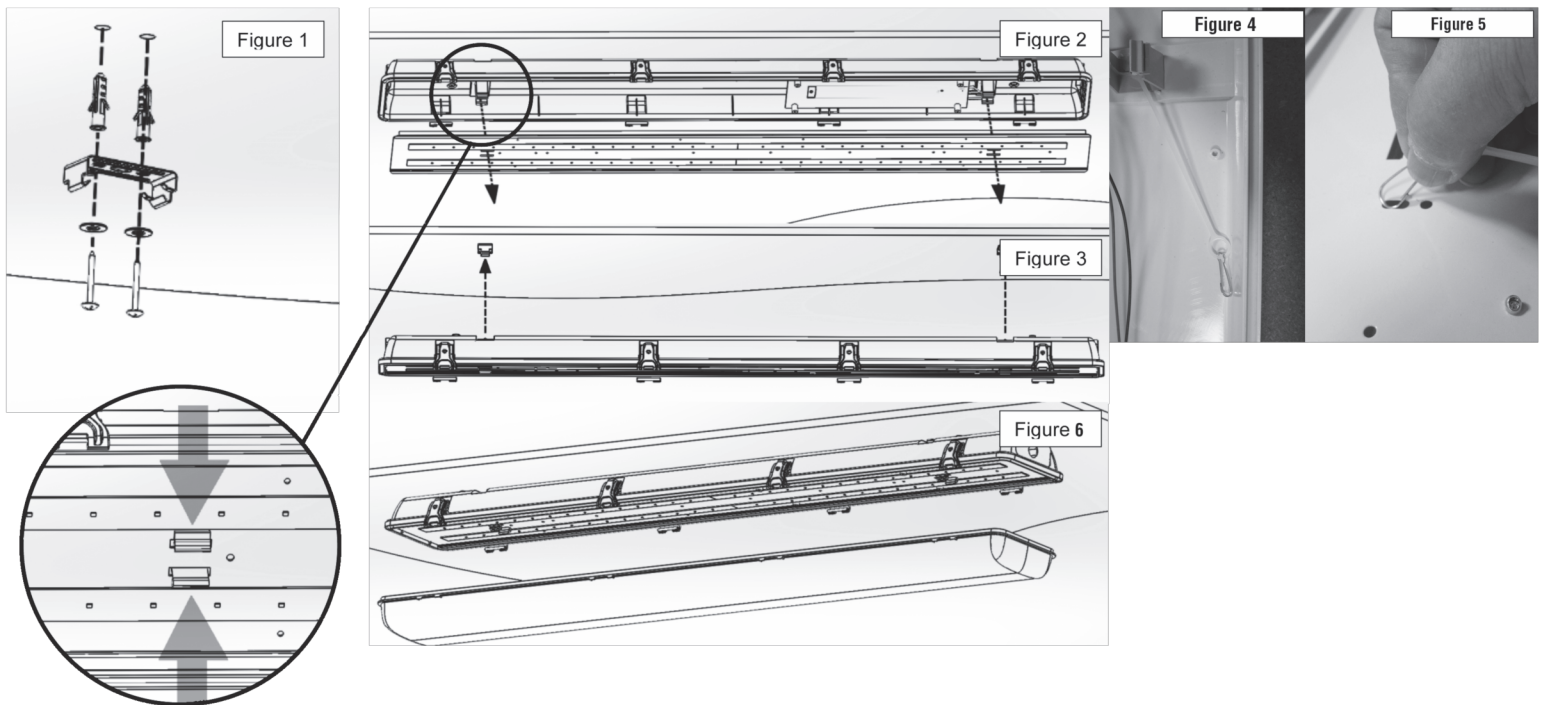


MaxLite® LED Vapor Tight Linear Fixture

Mounting Instructions

Before installation, ensure if power supply is disconnected. Cables must be connected in accordance to instruction and proper standing rules.

1. Locate drill holes for mounting brackets shown in **Fig 1**. Use hardware found in hardware kit. Mount bracket to surface.
2. Pre-attached lens buckles to housing
3. Detach LED tray from fixture as shown in **Fig 2**.
4. Attach body to mounting clips as shown in **Fig 3**.
5. Locate tether when opening to install fixture body as shown in **Fig 4**.
6. Snap connect tether to gear tray before making electrical connection as shown in **Fig 5**.
7. Connect power to driver. Follow General Wiring Diagram on page 2 for reference. Make sure the power supply is disconnected before installing.
8. Reattach LED tray to fixture by reversing step 2.
9. Install lens as shown in **Fig 6**. Use the buckles provided in hardware kit to securely attach lens to body fixture.
10. Restore power.

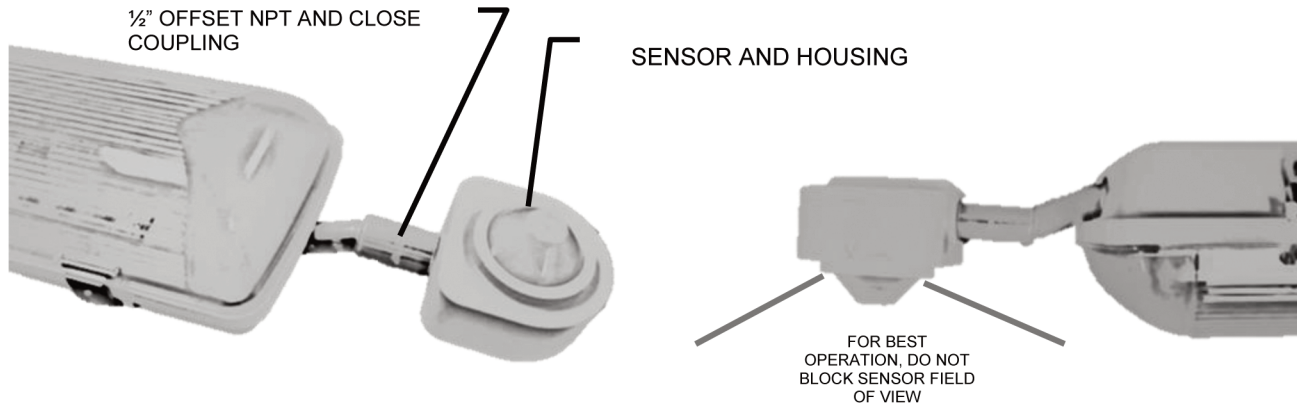




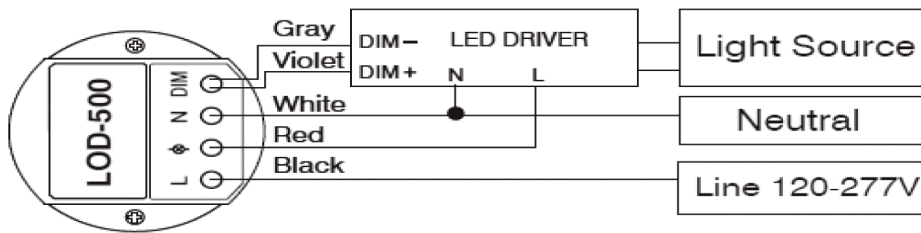
MaxLite® LED Vapor Tight Linear Fixture

Optional Occupancy Sensor

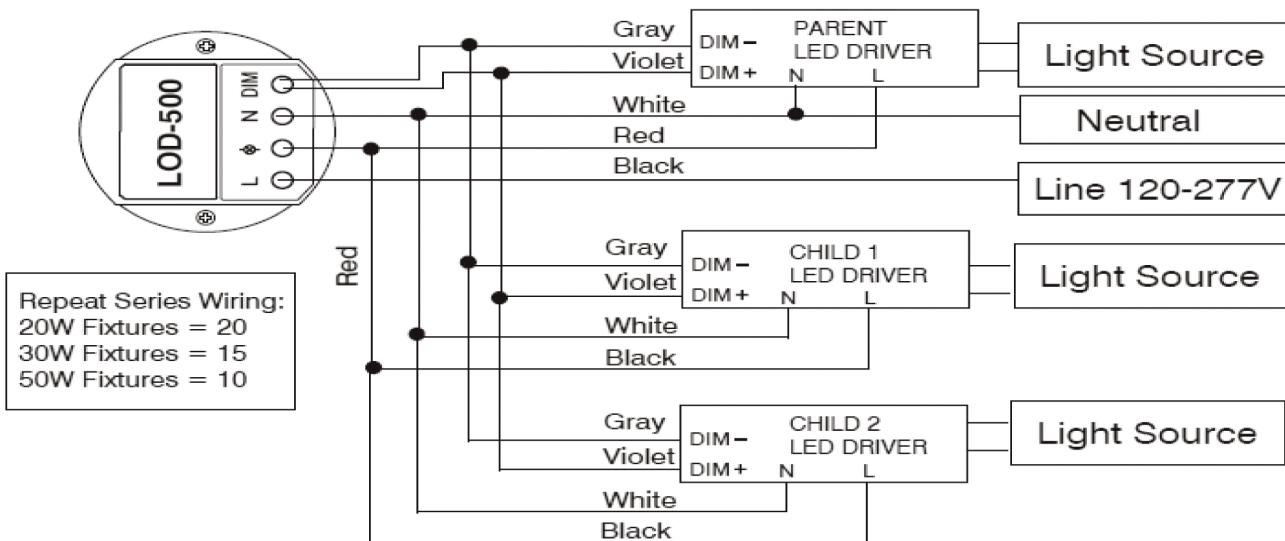
Standard lens for installation between 8'-15' above finish floor.



WIRING DIAGRAM SINGLE CONFIGURATION



WIRING DIAGRAM MULTIPLE CONFIGURATION





MaxLite® LED Vapor Tight Linear Fixture

Warranty

MaxLite warrants that each of its LED lighting fixtures (the “Product(s)”) that are purchased while this Warranty is in effect will be free from defects in materials and workmanship for the period of time specified in the table below (the “Warranty Period”). The Warranty Period runs from the date of original purchase from MaxLite or its authorized distributor/dealer.

Effective Date: June 13, 2014

If a Product fails to operate during the Warranty Period as a result of defects in materials or workmanship, MaxLite will, at its option, replace it with the same or like Product at no charge or will issue a credit which may be used by the purchaser, within 6 months of issuance, for a MaxLite product purchase.

Credit is calculated as follows:

$$\text{Credit (\$)} = \text{Invoiced Purchase Price (\$)} \times \frac{\text{unexpired original Warranty Period (months)}}{\text{total Warranty Period (months)}}$$

LED Product	Which Model Nos. are Covered by this Warranty?	Warranty Period
QuadroMax® LED Outdoor Lighting Fixtures	All models, with exception of fixture containing driver operating at 800 mA	Ten (10) Years
LED Area Luminaires	MAL55AXXXXXXX MAL80AXXXXXXX MAL105AXXXXXXX	Ten (10) Years
LED Medium Flood Lights	MFL55AXXXXXXX MFL80AXXXXXXX MFL105AXXXXXXX	Ten (10) Years
HLRMax™ Hazardous Location	HLR140UW50xCG HLR170UW50xCG	Ten (10) Years
LED Recessed Gas Station Canopy Fixtures	RC94U118LED50W RCX120AU50W000	Ten (10) Years
LED Semi-Flush Ceiling Fixtures	ML3LA23MALBNI927	Ten (10) Years
LED Flush Mount Ceiling Fixtures	ML2LA17MALBNI927 ML2LA17MALWH927	Ten (10) Years
Recessed Downlight Retrofits, Architectural Series	All models	Seven (7) years
Baymax™ LED Linear High Bays	BLHT115USD4810 BLHT115USD4810EM BLHT150USD4815 BLHT150USD4815EM BLHT235USD4820 BLHT235USD4820EM	Seven (7) years
Torchieres	All models	Three (3) years
All other MaxLite LED Lighting Fixtures /Models		Five (5) years

Limitation of Liability

THE FOREGOING WARRANTY IS EXCLUSIVE, AND IS THE SOLE REMEDY FOR ANY AND ALL CLAIMS, WHETHER IN CONTRACT, IN TORT OR OTHERWISE ARISING FROM THE FAILURE OF PRODUCT AND IS IN LIEU OF ALL OTHER WARRANTIES, EXPRESS OR IMPLIED, INCLUDING ALL WARRANTIES OF MERCHANTABILITY OR FITNESS FOR A PARTICULAR PURPOSE, WHICH WARRANTIES ARE HEREBY EXPRESSLY DISCLAIMED TO THE EXTENT PERMITTED BY LAW AND, IN ANY EVENT, SHALL BE LIMITED TO THE WARRANTY PERIOD SPECIFIED ABOVE. THE LIABILITY OF MAXLITE SHALL BE LIMITED TO THE TERMS OF THE EXPRESS WARRANTY SET FORTH HEREIN. IN NO EVENT WILL MAXLITE BE LIABLE FOR ANY SPECIAL, INCIDENTAL OR CONSEQUENTIAL DAMAGES INCLUDING, WITHOUT LIMITATION, DAMAGES RESULTING FROM LOSS OF USE, PROFITS, BUSINESS OR GOODWILL, LABOR COSTS, REMOVAL OR INSTALLATION COSTS, DECREASE IN THE LIGHT OUTPUT OF THE LAMP, AND/OR DETERIORATION IN THE LAMP'S PERFORMANCE, WHETHER OR NOT MAXLITE HAS BEEN ADVISED OF THE POSSIBILITY THEREOF. UNDER NO CIRCUMSTANCES SHALL MAXLITE'S ENTIRE LIABILITY FOR A DEFECTIVE PRODUCT EXCEED THE PURCHASE PRICE OF THAT PRODUCT. WARRANTY SERVICES PROVIDED UNDER THESE TERMS AND CONDITIONS DO NOT ENSURE THE UNINTERRUPTED OPERATION OF PRODUCTS; MAXLITE SHALL NOT BE LIABLE FOR DAMAGES CAUSED BY ANY DELAYS INVOLVING WARRANTY SERVICE.

This Limited Warranty gives you specific legal rights and you may also have other rights that may vary from state to state. Because some states or jurisdictions do not allow the exclusion or limitation of liability for consequential or incidental damages, this limitation may not apply to you.

For full warranty and Additional Terms and Conditions please see:
<http://www.maxlite.com/resources/warranties>