

**CARE AND MAINTENANCE**

Use a dry or slightly dampened clean cloth to wipe the surface of the fixture. Do not use any cleaners with chemicals, solvents, or harsh abrasives. If necessary, use a mild soap with water to clean off any dirt or stains.

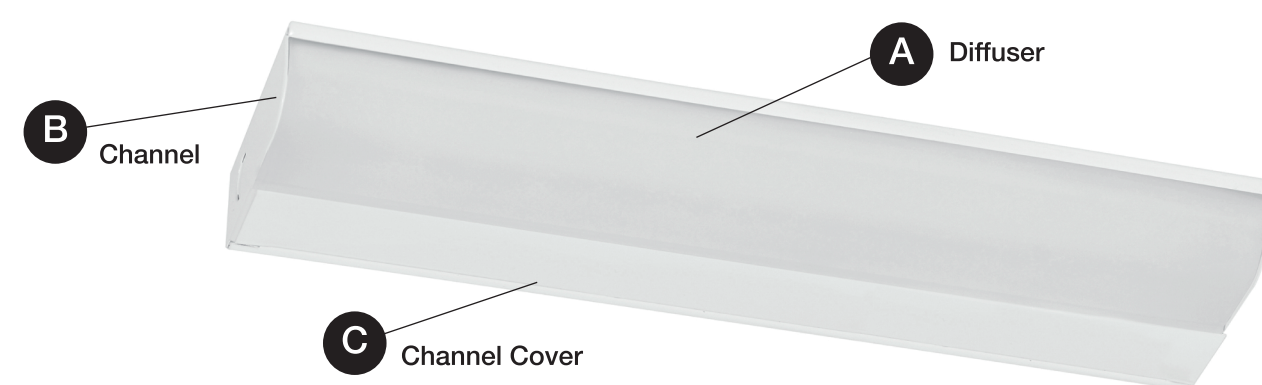
**TROUBLESHOOTING**

- The light does not come on at all:**
    - Make sure the wall switch and circuit breaker are on
    - Make sure the wiring is correct
  - Fuse blows or circuit trips when light is turned on:**
    - Check for crossed wires, ensure wiring is correct
- If unable to fix any of the above issues, please consult a certified electrician.

Problem	Possible Cause	Solution
Fixture dose not light.	<input type="checkbox"/> Power is off. <input type="checkbox"/> Faulty wire connection. <input type="checkbox"/> Faulty switch.	<input type="checkbox"/> Make sure power supply is on. <input type="checkbox"/> Check wiring. <input type="checkbox"/> Test or replace switch.
Fuse blows or circuit breaker trips when light is turned on.	<input type="checkbox"/> Crossed wires or power wire is grounding out.	<input type="checkbox"/> Check wire connections.

# LED Undercabinet

**PACKAGE CONTENTS**



**HARDWARE CONTENTS** Note: Hardware not shown actual size.



**SAFETY INFORMATION**

Read all safety precautions and installation instructions carefully before installing or servicing this fixture. Failure to comply with these instructions could result in potentially fatal electric shock and/or property damage.

It is recommended that a qualified electrician perform all wiring. This fixture must be wired in accordance with all national and local electrical codes.

**WARNING:** Do not handle any energized fixture or attempt to energize any fixture with wet hands or while standing on a wet or damp surface or in water.

**WARNING:** To reduce the risk of electrical shock, and to assure proper operation, this fixture must be adequately grounded. To accomplish proper grounding, there must be a separate ground wire (green) contact between this fixture and the ground connection of your main power supply panel.

**CAUTION:** Make sure that the power source conforms to the requirements of the fixture (see labels on fixture housing). This fixture is designed for use in a 110-120VAC, 60Hz

**CAUTION:** Make sure power is off at fuse or circuit breaker box. Check wires for damage or scrapes. If power supply wires are within three inches of the LED driver power supply, use wire suitable for at least 90° C (194° F). NOT FOR USE WITH DIMMING CIRCUITS.

This fixture is intended to be used for general indoor lighting in dry or damp locations only.

Changes or modifications not expressly approved by the party responsible for compliance could void the user's authority to operate the equipment.

Any modifications to this fixture may void the warranty and interfere with the safe operation of the luminaire.

**PREPARATION**

Disconnect electrical power at fuse or circuit breaker box before installing or servicing any part of this fixture. Carefully remove the fixture from the carton, and check that all parts are included.

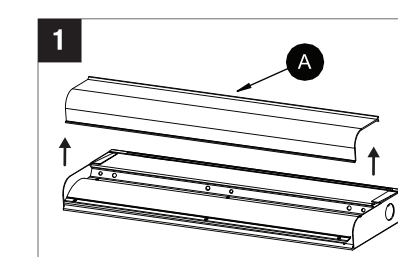
**REQUIRED TOOLS**

- Phillips Screwdriver
- Flathead Screwdriver
- Drill
- Drill Bits
- Pliers
- Wire Cutter
- Wire Stripper
- Hammer

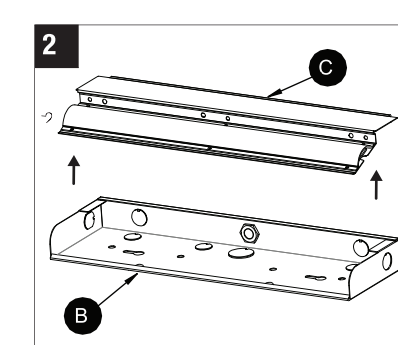
**ASSEMBLY INSTRUCTIONS**

**INSTALLATION**

1. Carefully remove diffuser (A) by squeezing rounded back edge with forefingers while holding front side with thumbs.

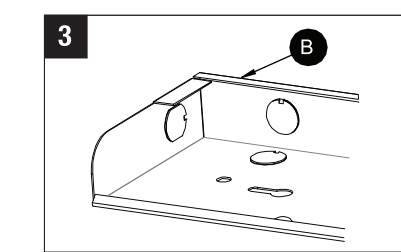


2. Remove channel cover (C) from channel (B) by squeezing the cover till it releases from channel body tabs. Remove the parts bag.

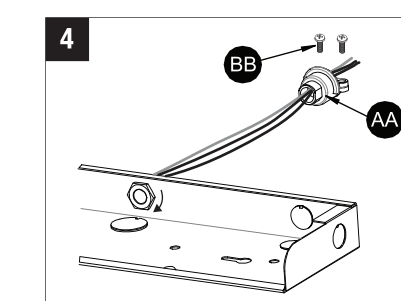


Note: Fixture is provided with knockouts for use with hardwire connector strain relief (included).

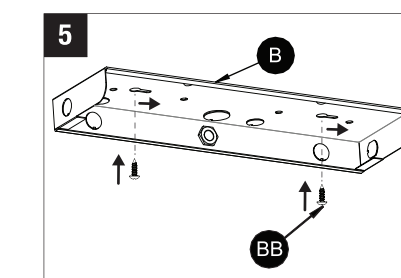
3. Determine appropriate knockout for removal in relationship to incoming power supply. To remove knockout, place standard screwdriver on edge of circle opposite retaining tab and gently strike with hammer until it releases. Grip edge with pliers and flex back and forth till knockout is removed.



4. If using hardwire connector (AA) assemble connector end cap to body using 2 mounting screws (BB). Leave screws loose to accommodate installation of power supply wires. Position hex nut inside channel over hole from knockout and thread connector assembly into nut until snug and screw heads are facing downward.



5. Position channel body (B) in desired mounting location and mark center point in small location of keyhole slot. Drill pilot hole at marked locations. Screw in mounting screws (BB) leaving space for channel body. Slide channel (B) over mounting screws. Lift and shift channel into position and tighten screws.

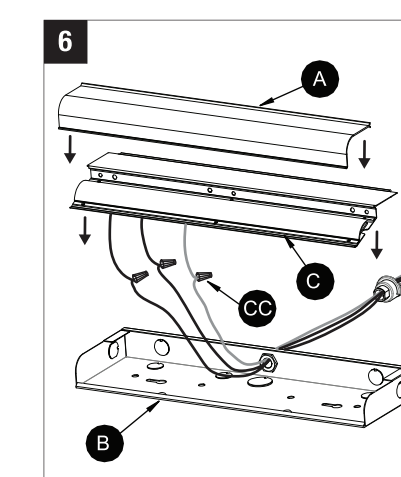


**WIRING**

**NOTE: All wiring must be made inside channel body and cover.**

**CAUTION:** Make sure power is off at fuse or circuit breaker box. Check wires for damage or scrapes. If power supply wires are within three inches of the LED driver power supply, use wire suitable for at least 90° C (194° F). NOT FOR USE WITH DIMMING CIRCUITS.

6. Insert power supply wires through hardwire connector and tight screws to secure. Strip 3/8" from black and white wire leads. Use wire nuts (CC) to connect white wire to neutral supply wire, black wire to power supply wire and green to ground supply wire. Tuck all wire neatly under channel cover. Install channel cover (C) back onto channel (B) and secure by snapping under channel body tabs. Re-install diffuser (A) onto channel body front lip and push to zip lock back flange onto channel cover.



Restore power at fuse or circuit breaker box.

**Convenience Outlet:** Rated for 120V, 15 AMP MAX

名称：GBL UCD系列DOB, 单色温橱柜灯通用安装说明书  
 规格及要求：A3纸正反面印刷，文字及图案单黑色印刷  
 物料编码：RIS0324

设计检查清单

No.	检查项	设计部自检结果 (已检项打勾)	业务部检查结果 (已检项打勾)
1	图上标注的箱体/箱体/泡沫/纸板/其他尺寸均为：外尺寸		
2	尺寸(误差范围≤3mm)是否正确		
3	客人型号是否正确		
4	条码是否正确 (如包含)		
5	产品图片是否正确 (如包含)		
6	产品信息是否正确		
7	毛净重及箱装数是否正确 (如包含)		
8	排版是否正确		

FOSHAN INNOVATIVE LIGHTING CO LTD

Title of Artwork 设计稿名称：	GBL UCD系列DOB,单色温橱柜灯通用安装说明书
Customer name 客人名称：	GLOBALUX
First Created on 创建时间：	21/10/2016
Last Revised on 最后更新：	21/10/2016
Version 版本号：	01
Reference 参考信息：	--

Signature 会签：

Designer 设计员：	zhang yuxin
Sales 业务：	
GM 总经理：	
QC 质检：	
Customer 客人：	