



57-10 49TH Place, Maspeth, NY 11378

Instruction Manual for UNO Exit Signs

1. What is included in this box?
 - Back box with electronics, battery (where applicable), & mounting hardware.
 - Inner trim, LED illuminator housing, Trim Finish ring,
 - Surface canopy with mounting plate.
 - 3 Acrylic panels (2 “EXIT”, and 1 Blank)
 - Removable arrows.
 - 1 plastic bag of hardware.

2. General Summary:

Congratulations! You have purchased the UNO, the first completely UNIVERSAL Edge Lit Exit Sign available.

This unit can be configured in the following manner:

- Recessed Ceiling or Recessed Wall.
- Surface Ceiling; Surface Back Wall, or End Wall.
- Single or Double faced.
- Any arrow configuration.

Note: Units are available in a non-universal format, in which case, not all components will be included.

FOR **RECESSED** MOUNTING SEE “A” BELOW.

FOR **SURFACE** MOUNTING SEE “B” BELOW.

A. **RECESSED INSTALLATION:**

1. Recessed Ceiling: All housings come out of the box ready for Recessed Ceiling installation.
 - a. Remove all components & Acrylic panels from the box.
 - b. Mounting bars are adjustable to 27”. Attach bars to Ceiling structure as per local code.

- c. Adjust mounting bars vertically to locate the mounting bracket such that the Recessed housing will be 1/8" above the finished Ceiling.
- d. Remove inner wire way cover to expose electrical wiring. For 120V installations use the Black & White leads, for 277V applications use the Orange & White leads.
- e. Cap unused lead.
- f. Utility input power can be attached to the Recessed housing using the hole on the top of the housing. Other KO's are provided on the inside housing wall, or on the top of the housing end.
- g. Connect LED Illuminator leads (Purple & Yellow) to polarized connector. Connect AC Test Switch leads (Orange/White/Gray) to polarized connector.
- h. Install Inner trim, LED Illuminator assembly and Trim Finish Ring to back box housing using threaded screws provided. Tighten until trim plate finish ring is snug to Ceiling.
- i. FOR PANEL INSTALLATION SEE SECTION "C" BELOW.

2. Recessed Wall:

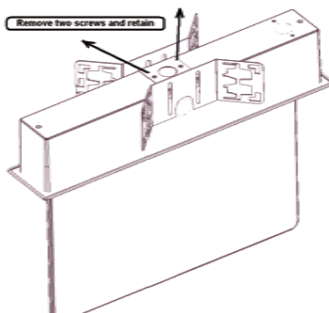
- a. Remove all components & Acrylic panels from the box.
- b. Mounting bars are adjustable to 27". Attach bars to wall structure as per local code.
- c. Adjust mounting bars vertically to locate the mounting bracket such that the Recessed housing will be 1/8" from the finished wall.
- d. Remove inner wire way cover to expose electrical wiring. For 120V installations use the Black & White leads, for 277V applications use the Orange & White leads. Cap off unused lead.
- e. Utility input power can be attached to the Recessed housing using the hole on the top of the housing. Other KO's are provided on the inside housing wall, or on the top of the housing end.
- f. Remove (4) screws on the back of LED Illuminator Assembly.
- g. Partially remove inner LED Illuminator Assembly and make a ¼ turn as per diagram, such that the EXIT panel will be parallel to the wall when inserted. The AC Test Switch should be "outside" the inner trim.

- h. Insert plastic spacers provided in hardware bag.
 - i. Install (4) longer threaded screws, from hardware bag. Attach through the back of the LED Illuminator, with the plastic spacers sandwiched between.
 - j. Connect LED Illuminator leads (Purple & Yellow) to polarized connector. Connect AC Test Switch leads (Orange/White/Gray) to polarized connector.
 - k. Install LED Illuminator assembly and Trim Finish Ring to back box housing using threaded screws provided. Tighten until trim plate finish ring is snug to the wall.
 - l. FOR PANEL INSTALLATION SEE SECTION “C” BELOW.

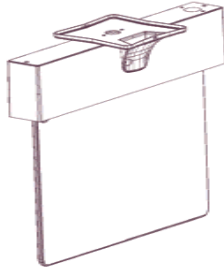
B. **Surface Installation:** (****Discard Trim Finish Ring)

1. Surface Ceiling Mounted:

- a. Remove all components & Acrylic panels from the box.
- b. Remove (2) screws on top of Recessed back box, slip off recessed wings and mounting bar assembly.



- c. Remove mounting plate from canopy by removing (1) screw; attach mounting plate to junction box.
- d. Using (2) screws from (b) above, attach canopy to the top of the housing such that the hole in the Canopy aligns with the hole on the top of fixture.



- e. Attach the housing/canopy assembly to the canopy mounting plate using the “tab” on the canopy mounting plate as well as the provided set screw.
- f. Remove inner wire way cover to expose electrical wiring. For 120V installations use the Black & White leads, for 277V applications use the Orange & White leads. Cap off unused lead.
- g. Connect LED Illuminator leads (Purple & Yellow) to polarized connector. Connect AC Test Switch leads (Orange/White/Gray) to polarized connector.
- h. **Discard Trim Finish Ring.** Install LED Illuminator, and Inner Trim assembly to back box housing using threaded screws provided.
- i. FOR PANEL INSTALLATION SEE SECTION “C” BELOW.

2. Surface Back Wall Mounted:

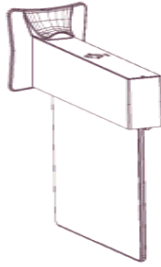
- a. Remove all components & Acrylic panels from the box.
- b. Remove (2) screws on top of Recessed back box, slip off recessed wings and mounting bar assembly.
- c. Remove mounting plate from canopy by removing (1) screw; attach mounting plate to junction box.
- d. Position canopy along the back wall of housing such that the canopy “neck” aligns with the top of the housing. Using (2) screws from (b) above, attach canopy to the top of the housing.



- e. Attach the housing/canopy assembly to the canopy mounting plate using the “tab” on the canopy mounting plate as well as the provided screw.
- f. Wires can be routed to enter the back box through the top of the canopy “neck” or through the side of the back box. If the “side” of the back box is elected, there is a “Knock Out” on the inside wall of the back box.
- g. Remove inner wire way cover to expose electrical wiring. For 120V installations use the Black & White leads, for 277V applications use the Orange & White leads. Cap off unused lead.
- h. Connect LED Illuminator leads (Purple & Yellow) to polarized connector. Connect AC Switch leads (Orange/White/Gray) to polarized connector.
- i. **Discard Trim Finish Ring.** Install Inner Trim Assembly, and LED Illuminator assembly to back box housing using threaded screws provided.
- j. FOR PANEL INSTALLATION SEE SECTION “C” BELOW.

3. Surface End Wall Mounted:

- a. Remove all components & Acrylic panels from the box.
- b. Remove (2) screws on top of Recessed back box, slip off recessed wings and mounting bar assembly.
- c. Remove mounting plate from canopy by removing (1) screw; attach mounting plate to junction box.
- d. Position canopy along the end wall of housing such that the canopy “neck” aligns with the top of the housing where the 2 screw holes are provided. Using (2) screws from (b) above, attach canopy to the top of the housing.



- e. Attach the housing/canopy assembly to the canopy mounting plate using the “tab” on the canopy mounting plate as well as the provided screw.
- f. Wires can be routed to enter the back box through the top of the canopy or through the end of the back box. If the “end” of the back box is elected, there is a “Knock Out” on the inside “top” of the back box.
- g. Remove inner wire way cover to expose electrical wiring. For 120V installations use the Black & White leads, for 277V applications use the Orange & White leads. Cap off unused lead.
- h. Connect LED Illuminator leads (Purple & Yellow) to polarized connector. Connect AC Switch leads (Orange/White/Gray) to polarized connector.
- i. Discard Trim Finish Ring. Install LED Illuminator assembly to back box housing using threaded screws provided.
- j. FOR PANEL INSTALLATION SEE SECTION “C” BELOW.

4. Surface Pendant Mounted:

SURFACE PENDANT MOUNTED IS AN OPTION AND MUST BE ORDERED FROM THE FACTORY FOR THIS TYPE OF MOUNTING, SPECIFY LENGTH OF PENDANT.

- a. Remove all components & Acrylic panels from the box.
- b. Remove (2) screws on top of recessed back box, slip off recessed wings and mounting bar assembly.
- c. Pendant mounting requires a “White” canopy, rather than the standard brushed aluminum canopy provided with the UNO. Attach the “White” canopy and pendant to the j-box.
- d. Using provided locknuts, attach the back box to the bottom of the pendant.
- e. Remove inner wire way cover to expose electrical wiring.

For 120V installations use the Black & White leads, for 277V applications use the Orange & White leads. Cap off unused leads.

- f. Connect LED Illuminator leads (Purple & Yellow) to polarized connector. Connect AC Switch leads (Orange/White/Gray) to polarized connector.
- g. **Discard Trim Finish Ring.** Install LED Illuminator assembly to back box housing using threaded screws provided.
- h. FOR PANEL INSTALLATION SEE SECTION “C” BELOW.

C: ACRYLIC PANELS

- 1. Each box contains 3 half panels, allowing universal single or double mounted installation out of the box.
 - a. SINGLE FACED: Acrylic Panels are assembled into a SINGLE FACED version directly out of the box, half clear, and half silk screened “EXIT”.
 - i. UNHINGE: Unhinge the panel halves, using a slight rotation, to expose the opaque divider and arrows.
 - ii. ARROWS: Arrows are placed on the “EXIT” half panels. Installer should decide which arrows are needed, and remove the arrows not needed. Arrows are not adhered with adhesive, simply remove the arrows.
 - iii. OPAQUE DIVIDER: Installer should decide if they want the SINGLE FACED unit to be RED with CLEAR background, or RED with MYLAR background. For RED with CLEAR, remove and discard the OPAQUE MYLAR divider
 - vi. RED with MYLAR background. For RED with Clear, remove and discard the OPAQUE MYLAR divider.
 - b. DOUBLE FACED: Units come out of the box SINGLE FACED. To transform into DOUBLE FACED, follow instructions.....
 - i. UNHINGE: Unhinge the panel halves, using a slight rotation, to expose the opaque divider and arrows.
 - ii. REMOVE the half of the Acrylic Panel which is blank, discard blank half, and replace with the provided second half panel silk screened “EXIT”.
 - iii. OPAQUE DIVIDER: retain and use the opaque MYLAR divider,

DOUBLE faced units must utilize this divider.

2. INSTALL ACRYLIC PANELS INTO TRIM:

a. SINGLE or DOUBLE FACED:

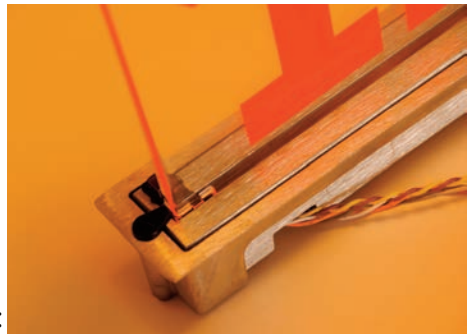
- i. 3 Black molded pins are included. See photo #1. Use Pins 1 & 2 for Recessed Ceiling and all surface installs, use Pins 1 & 3 for recessed wall. Note orientation in photo.



- ii. Snap Pin 1 into the “E” side of the EXIT panel. Snap Pin 2 into the “T” side. Pins will snap into the LENS so the LENS halves can be mounted flush to each other, no gap.
- iii. Insert the Panel side with Pin 1 into the housing first, on an angle, ensuring it is completely engaged in the trim. See Photo #2.



- iv. Push the other side of the Panel with Pin 2 or 3 into the housing slot, insert self tapping screw through the Pin 2 or 3 hole, screw down flush into the hole on the side of the finish trim plate. See Photo #3.



3. REMOVING ACRYLIC PANELS:

- i. Remove self tapping screw.
- ii. Drop down the side of EXIT panel with PINS 2 or 3, then remove the other Panel with Pin 1.