



## MaxLite® LED 6" Downlight Retrofit

### General Safety Information

- To reduce the risk of death, personal injury or property damage from fire, electric shock, falling parts, cuts/abrasions, and other hazards read all warnings and instructions included with and on the fixture box and all fixture labels.
- Before installing, servicing, or performing routine maintenance upon this equipment, follow these general precautions.
- Commercial installation, service and maintenance of luminaires should be performed by a qualified licensed electrician.
- For Residential installation: If you are unsure about the installation or maintenance of the luminaires, consult a qualified licensed electrician and check your local electrical code.
- **DO NOT INSTALL DAMAGED PRODUCT!**
- This fixture is intended to be connected to a properly installed and grounded UL listed junction box.

#### **WARNING:**

##### RISK OF ELECTRICAL SHOCK

- Turn off electrical power at fuse or circuit breaker box before wiring fixture to the power supply.
- Turn off the power when you perform any maintenance.
- Verify that supply voltage is correct by comparing it with the luminaire label information.
- Make all electrical and grounded connections in accordance with the National Electrical Code and any applicable local code requirements.
- All wiring connections should be capped with UL approved wire connectors.

#### **CAUTION:**

##### RISK OF INJURY

- Wear gloves and safety glasses at all times when removing luminaire from carton, installing, servicing or performing maintenance.
- Avoid direct eye exposure to the light source while it is on.
- Account for small parts and destroy packing material, as these may be hazardous to children.

#### **CAUTION:**

##### RISK OF FIRE

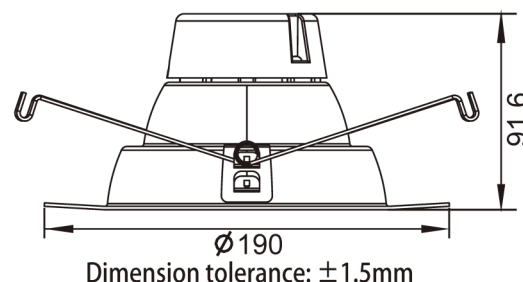
- Keep combustible and other materials that

**Illustrations on the manual are for installation purposes only. It may not be identical to the fixture purchased.**

RR611XXW-L7 – 120V 60 Hz  
 RR615XXWC-L7 – 120V 60 Hz  
 RR618XXW-L7 – 120V 60 Hz  
 RR618XXWC-L7 – 120V 60 Hz



Picture is for illustration purposes only. Your model may vary.



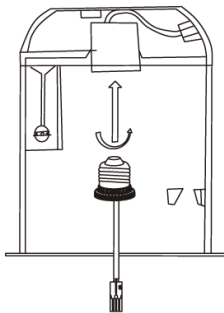
## MaxLite® LED 6" Downlight Retrofit

### Installation & Operation

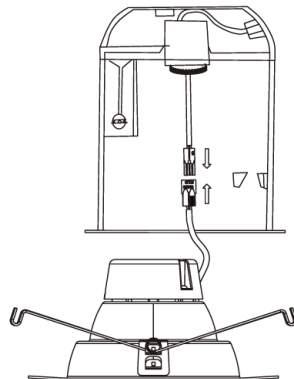
#### **▲ WARNING**

Disconnect the power by turning off the circuit breaker or by removing the appropriate fuse at the fuse box. Turning the power off using the light switch is not sufficient to prevent electrical shock.

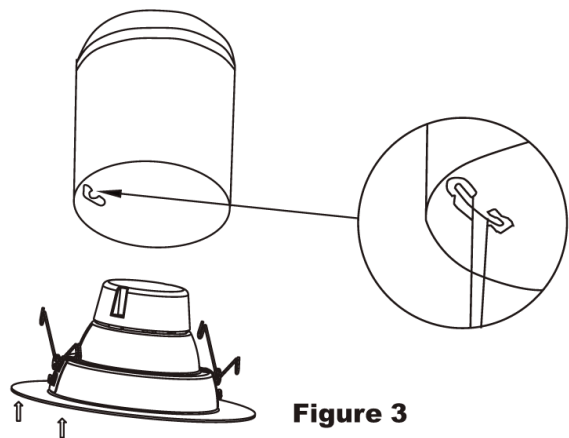
1. Turn off the power before installation, Remove the diffuser existing bulb if necessary and remove the existing trim. Attach the relamping label to the inside of recessed luminaire housing.
2. As shown in **Figure 1**, Twist the lamp base into the lamp holder.
3. As shown in **Figure 2**, Connect the lamp connector with lamp base connector.
4. The lamp at both ends of the spring are arranged inside the lamp holder bayonet, (as shown in **Figure 3**) through the spring pressing on both sides, so that it can be on both sides of the bayonet.
5. As shown in **Figure 4**, Push the LED retrofit trim into the recessed light fixture, allowing the torsion springs to pull the LED trim up into the recessed light fixture. Continue to push the LED trim until its outer edge is flush against the ceiling surface.



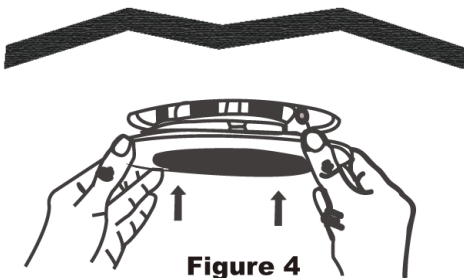
**Figure 1**



**Figure 2**



**Figure 3**



**Figure 4**



# MaxLite® LED 6” Downlight Retrofit

## Fixture Warranty

MaxLite warrants that each of its LED lighting fixtures (the “Product(s)”) that are purchased while this Warranty is in effect will be free from defects in materials and workmanship for the period of time specified in the table below (the “Warranty Period”). The Warranty Period runs from the date of original purchase from MaxLite or its authorized distributor/dealer.

Effective Date: June 13, 2014

If a Product fails to operate during the Warranty Period as a result of defects in materials or workmanship, MaxLite will, at its option, replace it with the same or like Product at no charge or will issue a credit which may be used by the purchaser, within 6 months of issuance, for a MaxLite product purchase.

Credit is calculated as follows:

$$\text{Credit (\$)} = \text{Invoiced Purchase Price (\$)} \times \frac{\text{unexpired original Warranty Period (months)}}{\text{total Warranty Period (months)}}$$

LED Product	Which Model Nos. are Covered by this Warranty?	Warranty Period
<b>QuadroMax® LED Outdoor Lighting Fixtures</b>	All models, with exception of fixture containing driver operating at 800 mA	Ten (10) Years
<b>LED Area Luminaires</b>	MAL55AXXXXXX MAL80AXXXXXX MAL105AXXXXXX	Ten (10) Years
<b>LED Medium Flood Lights</b>	MFL55AXXXXXX MFL80AXXXXXX MFL105AXXXXXX	Ten (10) Years
<b>HLRMax™ Hazardous Location</b>	HLR140UW50xCG HLR170UW50xCG	Ten (10) Years
<b>LED Recessed Gas Station Canopy Fixtures</b>	RC94U118LED50W RCX120AU50W000	Ten (10) Years
<b>LED Semi-Flush Ceiling Fixtures</b>	ML3LA23MALBNI927	Ten (10) Years
<b>LED Flush Mount Ceiling Fixtures</b>	ML2LA17MALBNI927 ML2LA17MALWH927	Ten (10) Years
<b>Recessed Downlight Retrofits, Architectural Series</b>	All models	Seven (7) years
<b>Baymax™ LED Linear High Bays</b>	BLHT115USD4810 BLHT115USD4810EM BLHT150USD4815 BLHT150USD4815EM BLHT235USD4820 BLHT235USD4820EM	Seven (7) years
<b>Torchieres</b>	All models	Three (3) years
<b>All other MaxLite LED Lighting Fixtures /Models</b>		Five (5) years

### Limitation of Liability

THE FOREGOING WARRANTY IS EXCLUSIVE, AND IS THE SOLE REMEDY FOR ANY AND ALL CLAIMS, WHETHER IN CONTRACT, IN TORT OR OTHERWISE ARISING FROM THE FAILURE OF PRODUCT AND IS IN LIEU OF ALL OTHER WARRANTIES, EXPRESS OR IMPLIED, INCLUDING ALL WARRANTIES OF MERCHANTABILITY OR FITNESS FOR A PARTICULAR PURPOSE, WHICH WARRANTIES ARE HEREBY EXPRESSLY DISCLAIMED TO THE EXTENT PERMITTED BY LAW AND, IN ANY EVENT, SHALL BE LIMITED TO THE WARRANTY PERIOD SPECIFIED ABOVE. THE LIABILITY OF MAXLITE SHALL BE LIMITED TO THE TERMS OF THE EXPRESS WARRANTY SET FORTH HEREIN. IN NO EVENT WILL MAXLITE BE LIABLE FOR ANY SPECIAL, INCIDENTAL OR CONSEQUENTIAL DAMAGES INCLUDING, WITHOUT LIMITATION, DAMAGES RESULTING FROM LOSS OF USE, PROFITS, BUSINESS OR GOODWILL, LABOR COSTS, REMOVAL OR INSTALLATION COSTS, DECREASE IN THE LIGHT OUTPUT OF THE LAMP, AND/OR DETERIORATION IN THE LAMP'S PERFORMANCE, WHETHER OR NOT MAXLITE HAS BEEN ADVISED OF THE POSSIBILITY THEREOF. UNDER NO CIRCUMSTANCES SHALL MAXLITE'S ENTIRE LIABILITY FOR A DEFECTIVE PRODUCT EXCEED THE PURCHASE PRICE OF THAT PRODUCT. WARRANTY SERVICES PROVIDED UNDER THESE TERMS AND CONDITIONS DO NOT ENSURE THE UNINTERRUPTED OPERATION OF PRODUCTS; MAXLITE SHALL NOT BE LIABLE FOR DAMAGES CAUSED BY ANY DELAYS INVOLVING WARRANTY SERVICE.

This Limited Warranty gives you specific legal rights and you may also have other rights that may vary from state to state. Because some states or jurisdictions do not allow the exclusion or limitation of liability for consequential or incidental damages, this limitation may not apply to you.

**For full warranty and Additional Terms and Conditions please see:**  
<http://www.maxlite.com/resources/warranties>