

PIP 45W INSTALLATION INSTRUCTIONS



Thank you for buying RAB lighting fixtures. Our goal is to design the best quality products to get the job done right. We'd like to hear your comments. Call the Marketing Department at 888-RAB-1000 or email: marketing@rabweb.com



IMPORTANT

READ CAREFULLY BEFORE INSTALLING FIXTURE. RETAIN THESE INSTRUCTIONS FOR FUTURE REFERENCE.

Fixtures must be wired in accordance with the National Electrical Code and all applicable local codes. Proper grounding is required for safety. THIS PRODUCT MUST BE INSTALLED IN ACCORDANCE WITH THE APPLICABLE INSTALLATION CODE BY A PERSON FAMILIAR WITH THE CONSTRUCTION AND OPERATION OF THE PRODUCT AND THE HAZARDS INVOLVED.

WARNING: Make certain power is OFF before installing or maintaining fixture. No user serviceable parts inside.

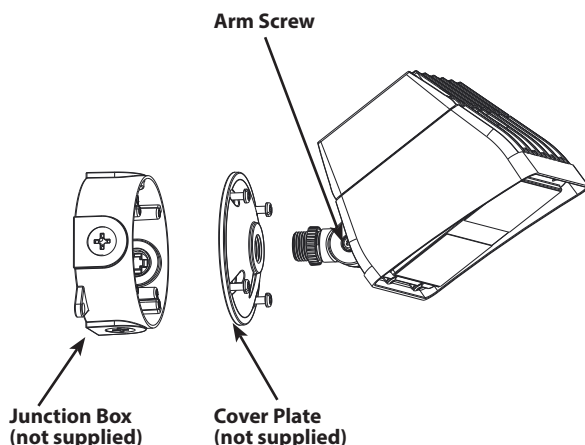
WALL MOUNTING

Mount to a weatherproof **Junction Box** and **Cover Plate** (not supplied) as shown. To ensure weatherproof seal, apply weatherproof silicone sealant around the edge of the **Junction Box** (not supplied). This is especially important with an uneven wall surface.

1. Secure LED Flood to a 1/2" NPS on **Cover Plate** (not supplied). Seal arm thread using Teflon tape or silicone sealant.
2. Connect wires as shown in the wiring diagram. Use appropriate UL approved wire connectors as required by code to make electrical splices to fixture leads. Be careful not to pinch wires.

WARNING: To prevent wiring damage or abrasion, do not expose wiring to edges of sharp objects.

3. Attach Cover Plate to **Junction Box** (not supplied).
4. Aim floodlight in the direction desired and tighten locknut and **Arm Screw**.
5. Plug all unused holes and seal threads with Teflon tape or silicone sealant.



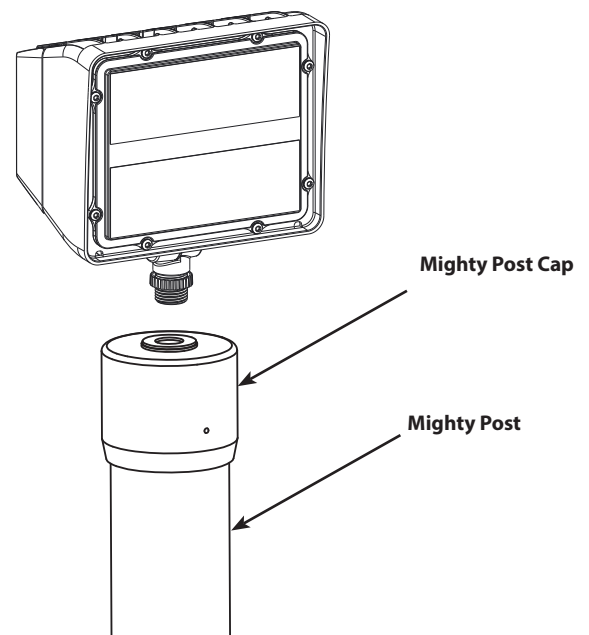
GROUND MOUNTING

Mount to a Mighty Post (RAB CAT# MP19) as shown.

1. Secure LED Flood on **Mighty Post Cap**. Seal arm thread using Teflon tape or silicone sealant.
2. Connect wires as shown in the wiring diagram and push all wires inside the **Mighty Post**. Use appropriate UL approved wire connectors as required by code to make electrical splices to fixture leads. Be careful not to pinch wires.

WARNING: To prevent wiring damage or abrasion, do not expose wiring to edges of sharp objects.

3. Place **Mighty Post Cap** on the **Mighty Post**.
4. Aim floodlight in the direction desired and tighten locknut and **Arm Screw**.



PIP 45W INSTALLATION INSTRUCTIONS

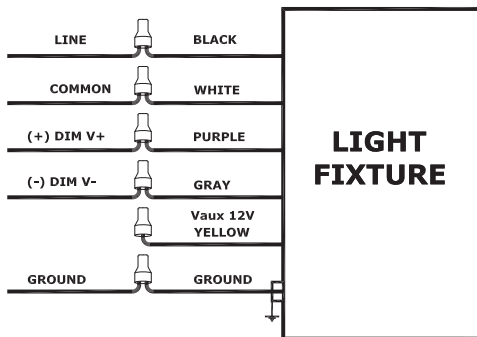


Thank you for buying RAB lighting fixtures. Our goal is to design the best quality products to get the job done right. We'd like to hear your comments. Call the Marketing Department at 888-RAB-1000 or email: marketing@rabweb.com

0-10V DIMMABLE WIRING

Universal voltage driver permits operation at 120V thru 277V, 50 or 60 Hz. 0-10V control wires must be rated for 300V minimum. Factory ordered fixtures with suffix (/PCU) are with 120V-277V button photocell. For 0-10V Dimming, follow the wiring directions as shown below.

1. Connect the black fixture lead to the LINE supply lead.
2. Connect the white fixture lead to the COMMON supply lead.
3. Connect the GROUND wire from fixture to supply ground. Do NOT connect the GROUND of the dimming fixture to the output.
4. Connect the purple fixture lead to the (V+) DIM lead.
5. Connect the gray fixture lead to the (V-) DIM lead.
6. Cap the yellow fixture lead. Do NOT connect.



CLEANING & MAINTENANCE

CAUTION: Be sure fixture temperature is cool enough to touch. Do not clean or maintain while fixture is energized.

1. Lens should be washed in a solution of warm water and any mild, non abrasive household detergent, rinsed with clean water and wiped dry.
2. Do not open fixture to clean the LED. Do not touch the LED.

TROUBLESHOOTING

1. Check that the line voltage at fixture is correct. Refer to wiring directions.
2. Be sure the fixture is grounded properly.
3. Be sure the photocell is functioning properly.

Pending: Pat. pending

Note: These instructions do not cover all details or variations in equipment nor do they provide for every possible situation during installation operation or maintenance.



Easy Installation & Product Help

Tech Help Line
Call our experts 888 RAB-1000

rabweb.com
Visit our website for product info

email
Answered promptly sales@rabweb.com