

INSTALLATION AND SAFETY INSTRUCTIONS

FOR YOUR SAFETY

HC-256

WARNING: Be sure the electricity to the system you are working on is turned off; either the fuse removed or the circuit breaker set at off.

PLEASE KEEP AWAY FROM COMBUSTIBLE MATERIALS.

- A.** Determine socket location and spacing, minimum 2" center to center.
- B.** Attach track (not included) or wire clips to surface with either nails, screws or staples.
- C.** FOR OUTDOOR APPLICATIONS:
Run 12/2, 105°C cable by pressing cable into wire clips.
FOR INDOOR APPLICATIONS:
Run 10/2, 105°C cable by pressing cable into track (not included).
- D.** Press socket straight down onto cable and wire clip, or track, until socket snaps into place.
- E.** Install bulbs (not included), 5 watt maximum.
- F.** Center of socket must not be closer than 1 1/2" to closed ends (wall surfaces, partitions).

022503

WARNING: Use of other manufacturers components will void warranty, U.L. listing and create a potential safety hazard.

INSTALLATION AND SAFETY INSTRUCTIONS

FOR YOUR SAFETY

HC-256

WARNING: Be sure the electricity to the system you are working on is turned off; either the fuse removed or the circuit breaker set at off.

PLEASE KEEP AWAY FROM COMBUSTIBLE MATERIALS.

- A.** Determine socket location and spacing, minimum 2" center to center.
- B.** Attach track (not included) or wire clips to surface with either nails, screws or staples.
- C.** FOR OUTDOOR APPLICATIONS:
Run 12/2, 105°C cable by pressing cable into wire clips.
FOR INDOOR APPLICATIONS:
Run 10/2, 105°C cable by pressing cable into track (not included).
- D.** Press socket straight down onto cable and wire clip, or track, until socket snaps into place.
- E.** Install bulbs (not included), 5 watt maximum.
- F.** Center of socket must not be closer than 1 1/2" to closed ends (wall surfaces, partitions).

022503

WARNING: Use of other manufacturers components will void warranty, U.L. listing and create a potential safety hazard.

INSTALLATION AND SAFETY INSTRUCTIONS

FOR YOUR SAFETY

HC-256

WARNING: Be sure the electricity to the system you are working on is turned off; either the fuse removed or the circuit breaker set at off.

PLEASE KEEP AWAY FROM COMBUSTIBLE MATERIALS.

- A.** Determine socket location and spacing, minimum 2" center to center.
- B.** Attach track (not included) or wire clips to surface with either nails, screws or staples.
- C.** FOR OUTDOOR APPLICATIONS:
Run 12/2, 105°C cable by pressing cable into wire clips.
FOR INDOOR APPLICATIONS:
Run 10/2, 105°C cable by pressing cable into track (not included).
- D.** Press socket straight down onto cable and wire clip, or track, until socket snaps into place.
- E.** Install bulbs (not included), 5 watt maximum.
- F.** Center of socket must not be closer than 1 1/2" to closed ends (wall surfaces, partitions).

022503

WARNING: Use of other manufacturers components will void warranty, U.L. listing and create a potential safety hazard.

INSTALLATION AND SAFETY INSTRUCTIONS

FOR YOUR SAFETY

HC-256

WARNING: Be sure the electricity to the system you are working on is turned off; either the fuse removed or the circuit breaker set at off.

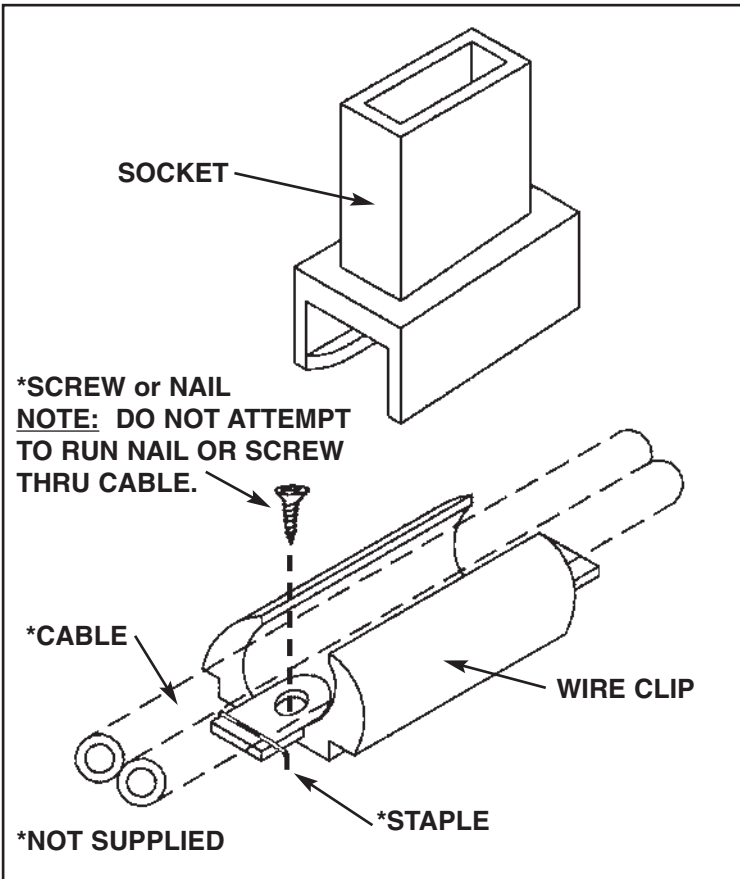
PLEASE KEEP AWAY FROM COMBUSTIBLE MATERIALS.

- A.** Determine socket location and spacing, minimum 2" center to center.
- B.** Attach track (not included) or wire clips to surface with either nails, screws or staples.
- C.** FOR OUTDOOR APPLICATIONS:
Run 12/2, 105°C cable by pressing cable into wire clips.
FOR INDOOR APPLICATIONS:
Run 10/2, 105°C cable by pressing cable into track (not included).
- D.** Press socket straight down onto cable and wire clip, or track, until socket snaps into place.
- E.** Install bulbs (not included), 5 watt maximum.
- F.** Center of socket must not be closer than 1 1/2" to closed ends (wall surfaces, partitions).

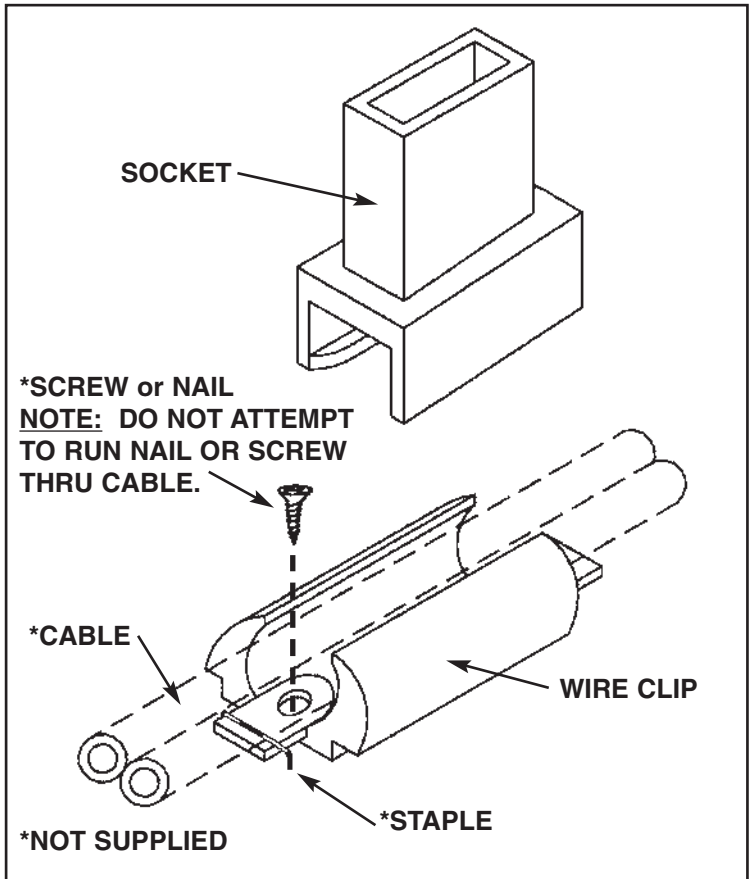
022503

WARNING: Use of other manufacturers components will void warranty, U.L. listing and create a potential safety hazard.

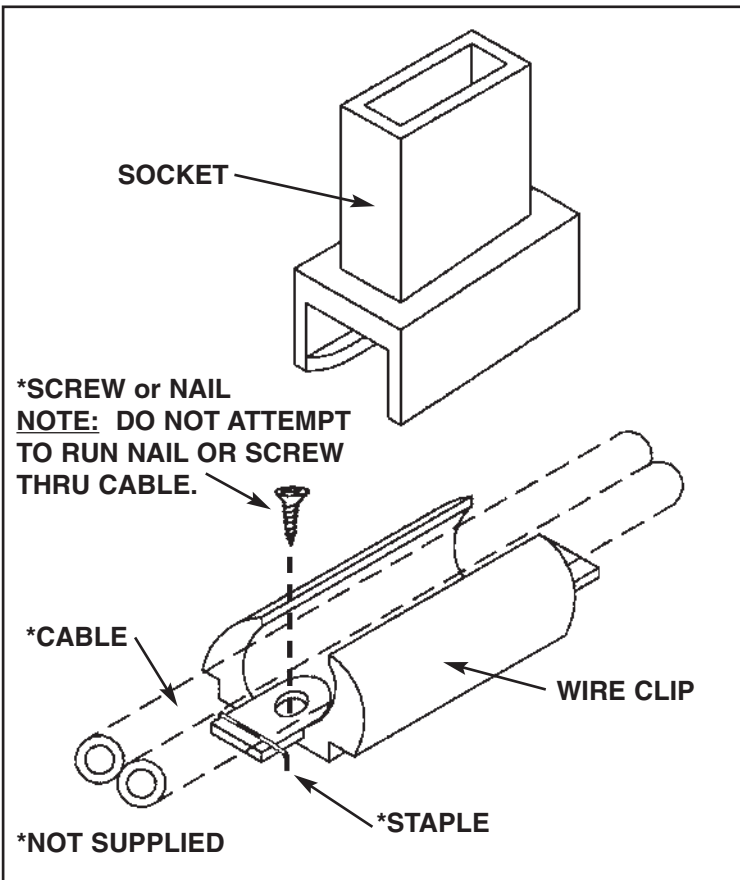
HC-256 CONTINUED



HC-256 CONTINUED



HC-256 CONTINUED



HC-256 CONTINUED

