

Please go to www. quoizel. com for product cleaning tips. Go to the **Care + Maintenance** selection.

Tools Required: Flathead screwdriver, Phillips screwdriver, pliers, wire cutters, wire strippers, electrical tape, safety glasses.

Light Source: (2) A19 Medium Base Bulbs 75W Maximum

Estimated Assembly Time: 30-45 minutes

Preparation: Identify and inspect all parts before beginning installation. Check package content list and diagrams below to be sure all parts are present. If any parts are missing or damaged, do not attempt to assemble, install, or operate the fixture. Contact customer service for replacement parts.

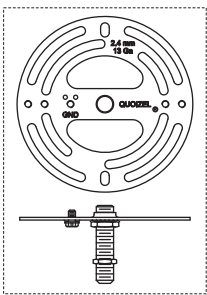
⚠ Warnings and Cautions

Turn off electricity at circuit breaker or main fuse box before installation. Consult a licensed electrician if in doubt.

These instructions are provided for your safety. It is very important you read them completely before installing the fixture. We strongly recommend that a licensed, professional electrician perform the installation.

Disconnect fixture from power source before replacing bulbs. Make sure bulbs are given sufficient time to cool before removal.

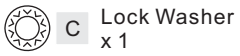
Package Contents



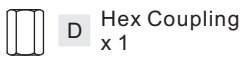
A Crossbar Assembly x 1



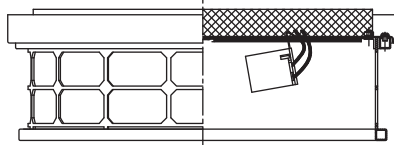
B Flat Washer x 2



C Lock Washer x 1



D Hex Coupling x 1



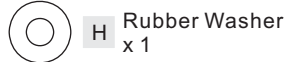
E Fixture Body x 1



F Stem x 1



G Shade x 1



H Rubber Washer x 1



I Hex Nut x 1



J Cap x 1



K Finial x 1

(Step 1 Continued)

- the Green Ground Screw facing you. Secure it with Outlet Box Screws (not included), tighten until snug.
- Adjust the hex nut and lock washer underside of the crossbar to the middle of the nipple.
 - Place the ceiling canopy and Fixture Body (E) over the end of the nipple against the ceiling to determine the correct position of the nipple. Thread the Hex Coupling (D) onto the nipple. Adjust the nipple to allow the ceiling canopy and Fixture Body (E) to rest against the ceiling when held in place by the Hex Coupling (D).
 - Remove the Hex Coupling (D) and the Fixture Body (E). Tighten the lock washer and the hex nut against the crossbar to secure in place.
 - Adjust another hex nut on the end of nipple just enough so that the inside surface of ceiling canopy and Fixture Body (E) rests against it. You may have to trial fit ceiling canopy and Fixture Body (E) one more times to insure this distance also. This hex nut is needed here to prevent you from crushing down the center of ceiling canopy.

STEP 2 - Wire Connections

- Use standard wire connectors (not included) to make all wire connections. Twist connectors until wires are tightly joined together. Wrap each connection with approved electrical tape and carefully stuff all the connected wires into the Outlet Box.

STEP 1 - Install the Crossbar Assembly to Outlet Box and Adjust the length of the Nipple

- Attach the Crossbar Assembly (A) to the Outlet Box with the head of

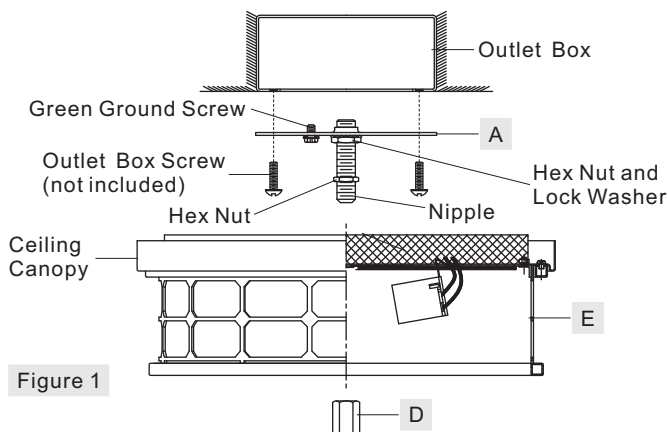


Figure 1

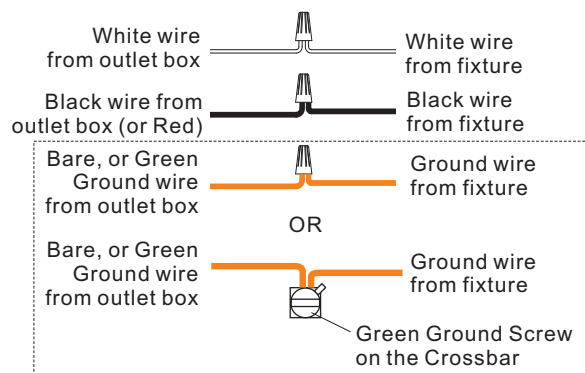


Figure 2

Thank you for purchasing a Quoizel product.
Need assistance with parts or assembly? Call Quoizel customer service at 1-800-645-3184
or visit us on-line at www. quoizel. com

STEP 3 - Install Fixture Body

A. Place the Fixture Body (E), one Flat Washer (B) and the Lock Washer (C) over the nipple and. Secure them with the Hex Coupling (D) and hand tighten until snug.

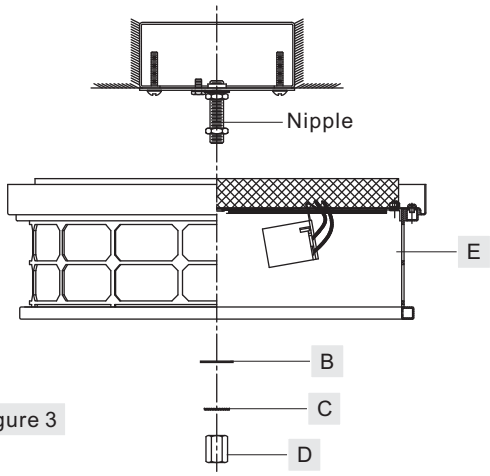
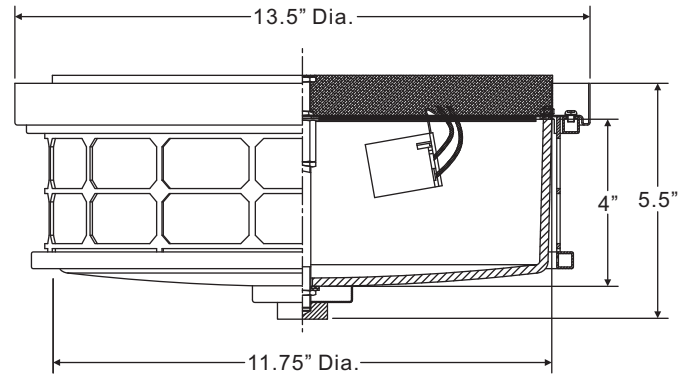
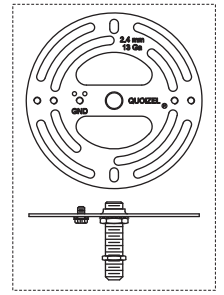


Figure 3

QF3413OZ

FINISH: OLD BRONZE



NOTE: ALL DIMENSIONS ARE ROUNDED UP TO THE NEAREST 1/4"

STEP 4 - Install Shade and Finial

- A. Thread beaded end of the Stem (F) into the Hex Coupling (D) and hand tighten until snug.
- B. Install bulbs onto sockets and screw snugly into place.
- C. Place the Shade (G), the Rubber Washer (H) and another Flat Washer (B) over the end of the Stem (F) and secure with the Hex Nut (I). Hand tighten gently until snug.
- D. Place the Cap (J) over the end of the Stem (F) and secure with the Finial (K). Hand tighten until snug.

Your fixture is now assembled and ready to use. Enjoy!

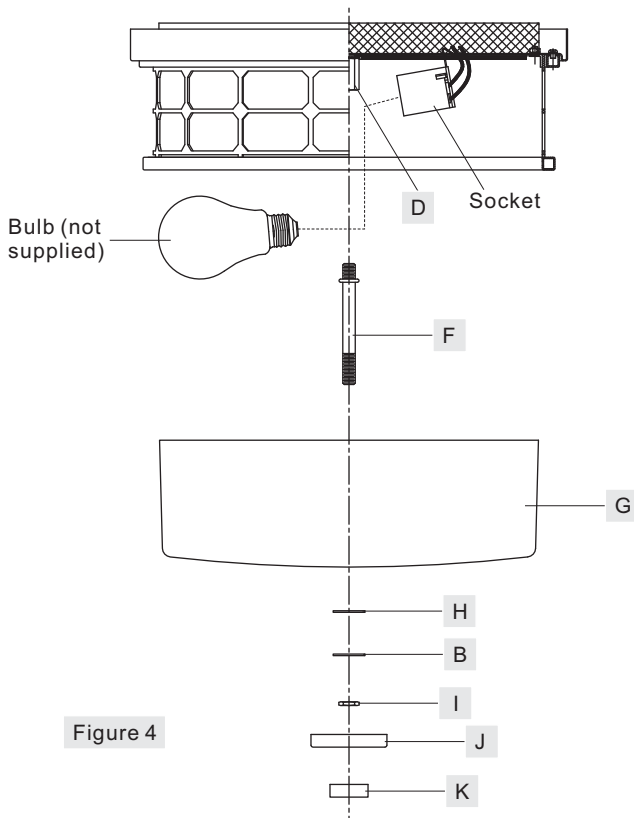


Figure 4

Thank you for purchasing a Quoizel product.
 Need assistance with parts or assembly? Call Quoizel customer service at 1-800-645-3184
 or visit us on-line at www.quoizel.com