



Wiremold

Evolution Series Furniture Feed Floor Box INSTALLATION INSTRUCTIONS

Installation Instruction No.: 1 009 727R1 - Updated October 2011

Legrand/Wiremold electrical systems conform to and should be properly grounded in compliance with requirements of the current National Electrical Code or codes administered by local authorities.

All electrical products may present a possible shock or fire hazard if improperly installed or used. Legrand/Wiremold electrical products may bear the mark of a Nationally Recognized Testing Laboratory (NRTL) and should be installed in conformance with current local and/or the National Electrical Code.

IMPORTANT: Please read all instructions before beginning.

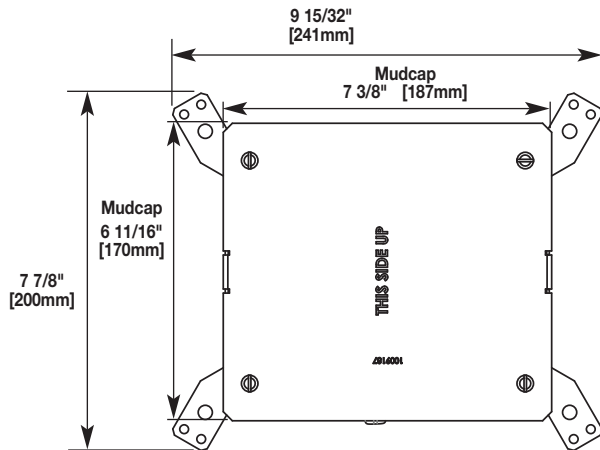
PRODUCTS COVERED: EFBFF, EFBFF-OG

CAUTION: Box is intended for use on carpet, tile or wood covered concrete floors. Not designed for use on bare concrete or terrazzo floors

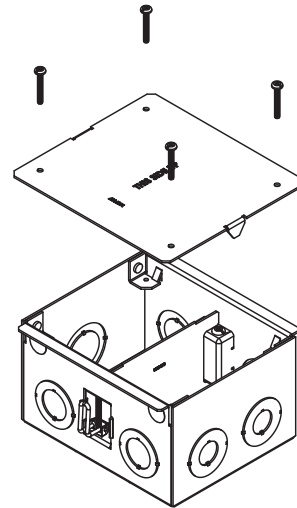
CONCRETE POUR INSTALLATION (EFBFF, EFBFF-OG):

1. Position box in accordance with job site floor plan and/or engineering blue print. Use the dimensions give in the following table as a reference for positioning.

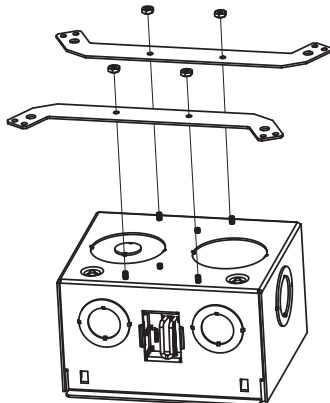
BOX DIMENSIONS		
WIDTH	LENGTH	BOX HEIGHT
5 15/16" [151mm]	7 1/4" [184mm]	4" [101.6mm]



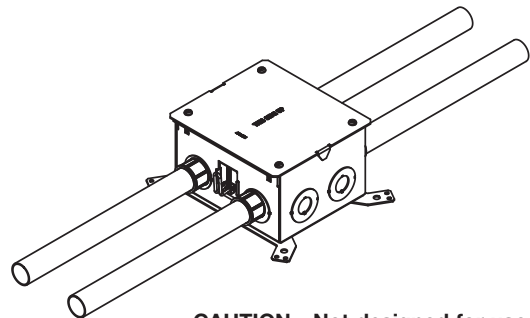
2. remove protective cover (Mudcap) from box.



3. Attach leveling skis to bottom of box using the nuts in the included sub-pack.



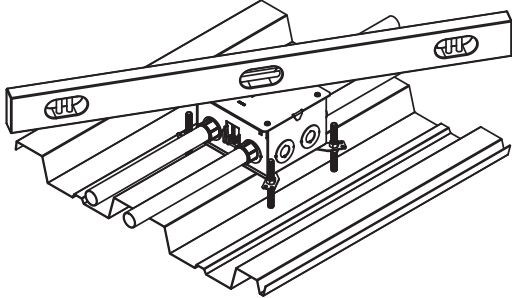
4. Remove required KOs from box and attach conduit fittings (not included) to box. Attach conduit to fittings.



CAUTION: Not designed for use on bare concrete or terrazzo floors

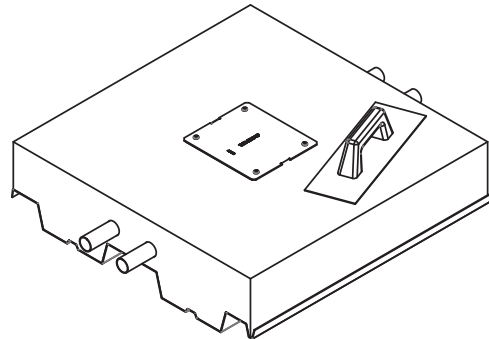
5. Level box as required and anchor box to decking. To level, use 3/8-16 threaded rod (not included) cut to length as needed and secured with hex nuts (not included). Holes for threaded rod are provided in each end of the leveling bars. Be sure to set height of the top of the box to be flush with the finish level of the concrete pour.

NOTE: There is no provision for post pour height adjustment.



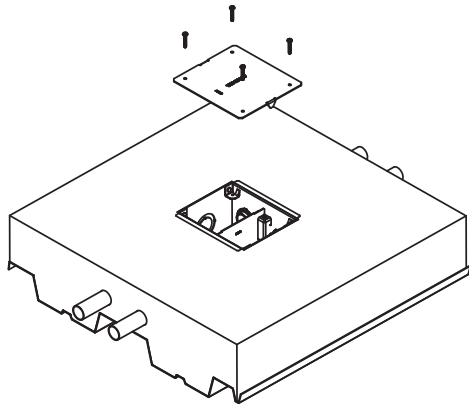
6. Pour concrete flush with the top of the floor box protective cover.

WARNING: Pour concrete to within no more than 1/16" [1.6mm] above box protective cover. Pours of 1/4" [6.4mm] or more over box cover will make it difficult to break out the cover and cause excessive concrete spalling around the edges of the box.



CAUTION: Not designed for use on bare concrete or terrazzo floors

7. After concrete has cured, locate box and clear away any concrete from cover as needed. Remove cover from box and clean out any debris from inside if box.



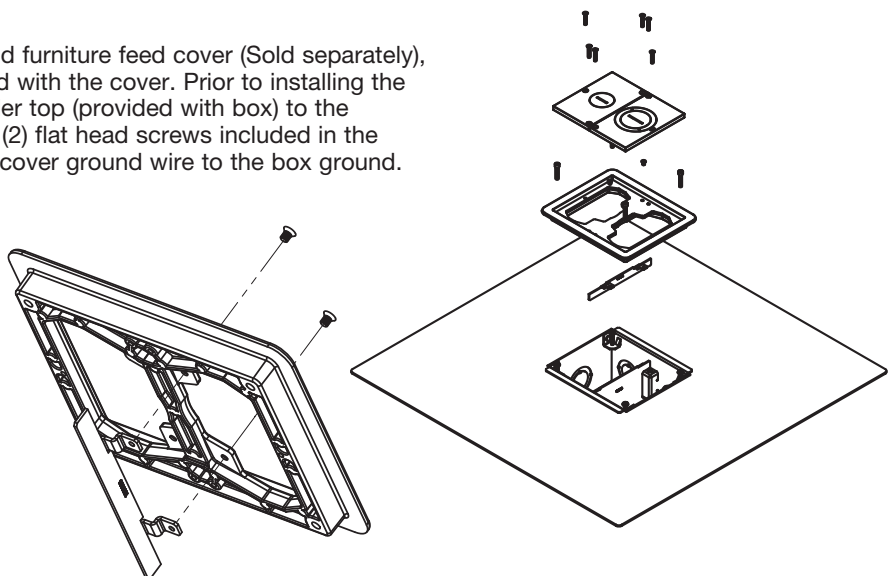
8. Pull wires as specified.

NOTE: Make sure that each compartment is properly grounded in accordance with the National Electric Code and any local code that may apply.

9. Complete installation by attaching a Wiremold furniture feed cover (Sold separately), following the installation instructions supplied with the cover. Prior to installing the cover, it will be necessary to attach the divider top (provided with box) to the underside of the cover flange, using the two (2) flat head screws included in the divider top kit. Also make sure to attach the cover ground wire to the box ground.

NOTE: Evolution Series furniture feed floor boxes and FloorPort™ Series covers are cULus Listed for use with raised floors, wood floors, tile, carpet or wood-covered concrete.

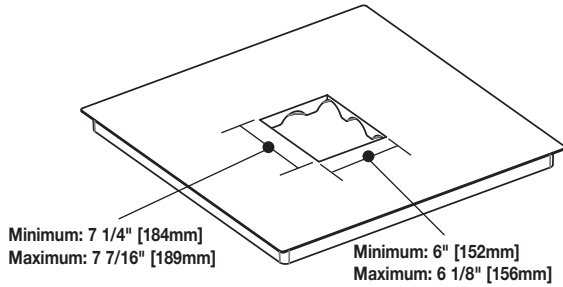
NOTE: FPCTC and FPBTC Series covers will work with EFBFF and EFBFF-OG Floor Boxes.



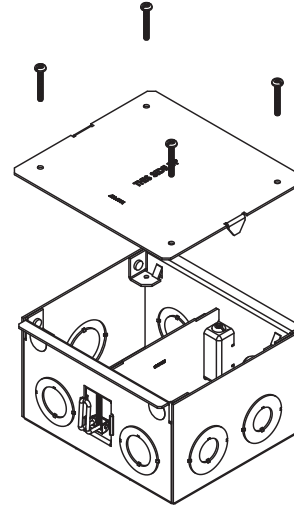
WOOD OR RAISED FLOOR INSTALLATION (EFBFF):

1. Position box in accordance with job site floor plan and/or engineering blue print. Use the dimensions give in the following table as a reference for positioning.

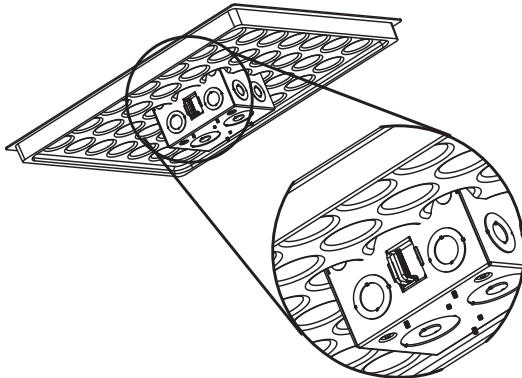
BOX DIMENSIONS		
WIDTH	LENGTH	BOX HEIGHT
5 15/16" [151mm]	7 1/4" [184mm]	4" [101.6mm]



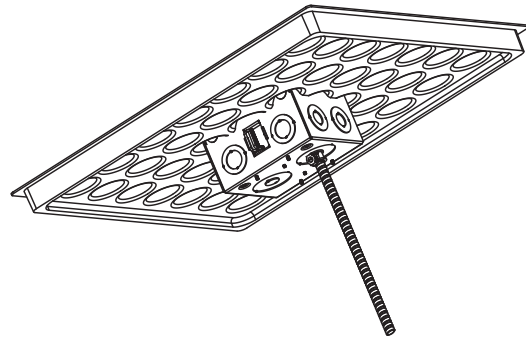
2. Remove protective cover from box and drop box into hole cut in floor.



3. At front and back sides of box are adjustable toggle clamps that are used to secure box to floor. Clamps are positioned to allow for up to 1-1/2" [38mm] thick floors. Tighten clamps so that box is held securely to floor.



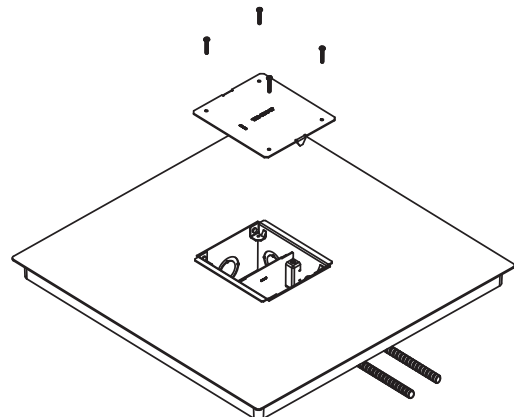
4. Remove required KOs from box and attach cable fittings (not included), to box.



5. Attach cables as specified.

NOTE: Make sure that each compartment is properly grounded in accordance with the National Electrical Code and any local code that may apply.

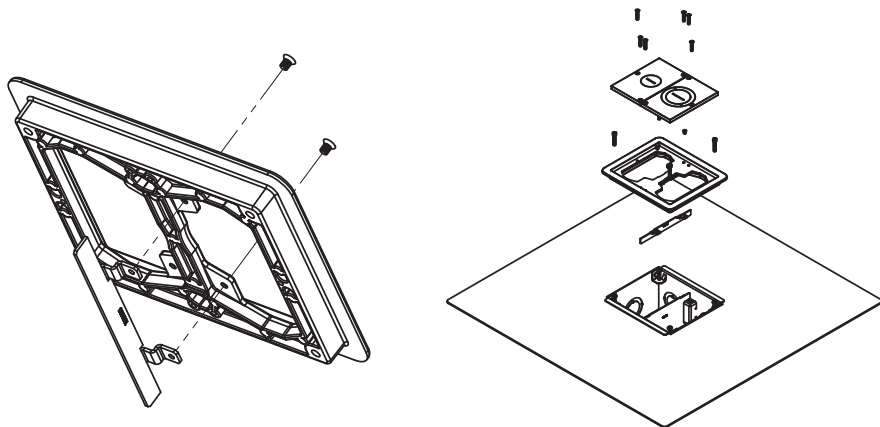
6. Reattach protective cover until ready to install finish cover.



7. Complete installation by attaching a Wiremold furniture feed cover (Sold separately), following the installation instructions supplied with the cover. Prior to installing the cover, it will be necessary to attach the divider top (provided with box) to the underside of the cover flange, using the two (2) flat head screws included in the divider top kit. Also make sure to attach the cover ground wire to the box ground.

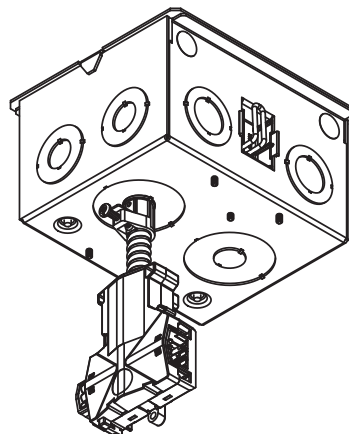
NOTE: Evolution Series furniture feed floor boxes and FloorPort Series covers are cULus Listed for use with raised floors, wood floors, tile, and carpet or wood-covered concrete.

NOTE: FPCTC and FPBTC Series covers will work with EFBFF and EFBFF-OG Floor Boxes.



8. For factory wired EFBFF access floor boxes, use installation instructions supplied with Walkerflex® Modular Wiring Systems products.

CAUTION: Do not make or break connections while circuits are energized.



legrand®

Wiremold

WIREMOLD

U.S. and International:

60 Woodlawn Street • West Hartford, CT 06110
1-800-621-0049 • FAX 860-232-2062 • Outside U.S.: 860-233-6251

Canada:

570 Applewood Crescent • Vaughan, Ontario L4K 4B4
1-800-723-5175 • FAX 905-738-9721

