

**READ AND FOLLOW ALL SAFETY INSTRUCTIONS!  
SAVE THESE INSTRUCTIONS AND DELIVER TO OWNER AFTER INSTALLATION**

### IMPORTANT SAFETY INSTRUCTIONS

#### **⚠ WARNING**

**To reduce the risk of death, injury or property damage from fire, electric shock, cuts, abrasions, falling parts, and other hazards:**

- Service of the equipment must be performed by qualified service personnel.
- Installation and maintenance must be performed by a person familiar with the construction and operation of this product and any hazards involved. All applicable codes and ordinances must be followed.
- Read this document before installing, servicing, or maintaining this equipment or installing a lamp. These instructions do not cover all installation, service, and maintenance situations. If your situation is not covered, or if you do not understand these instructions or additional information is required, contact *Lithonia Lighting* or your local *Lithonia Lighting* Distributor.
- Read and follow all warnings and instructions provided by the lamp manufacturer.

#### **⚠ WARNING**

**Before installing, servicing, or maintaining this equipment, follow these general precautions.**

**To reduce the risk of electrocution:**

- Make sure the equipment is properly grounded.
- Always de-energize the circuit and/or equipment before connecting to, disconnecting from, or servicing the equipment.


**To reduce the risk of fire:**

- Keep material away that can burn from hot lamp.
- Make sure lamps are correctly installed.
- Use supply conductors with a minimum installation temperature rating as specified on equipment.

**To reduce the risk of personal injury from cuts, abrasions, or falling parts:**

- Wear gloves to prevent cuts or abrasions from sharp edges when removing from carton, handling and maintaining this equipment.
- Do not use abrasive materials, glass cleaners or other solvents on reflector or lens. These substances may damage equipment and cause parts to eventually break and fall.
- Do not install a damaged fixture.

**⚠ CAUTION:** Observe lamp manufacturer's recommendations and restrictions on lamp operation, including but not limited to ballast type, burning position, replacement and cycling. Use only lamps that comply with applicable ANSI standards.

**NOTICE:** If lamp is marked  it contains mercury. Follow disposal laws. See [www.lamprecycle.org](http://www.lamprecycle.org)

*Lithonia Lighting*, a division of *Acuity Brands Lighting*, Inc., assumes no responsibility for claims arising out of improper or careless installation or handling of this product.

## SAVE THESE INSTRUCTIONS

# Installation Instructions

## ARCH Sconce Accessories

**DELIVERY:** Upon receipt of fixture and accessories (packed separately), thoroughly inspect for any freight damage. All damage should be reported to the delivery carrier. Compare the catalog description listed on the packing slip with the fixture label on the inside of the housing to be sure you have received the correct merchandise.

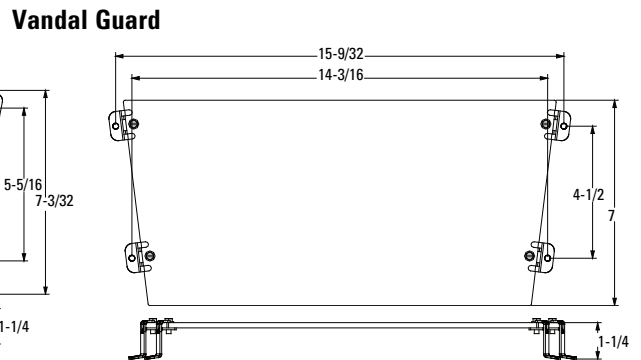
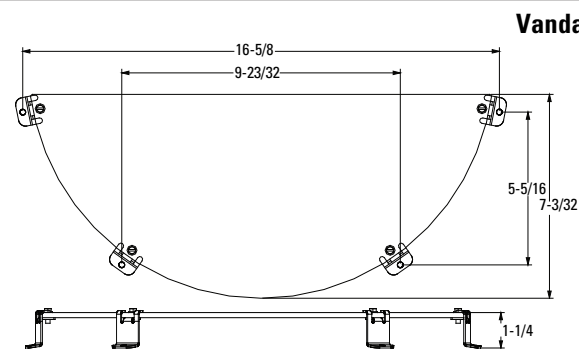
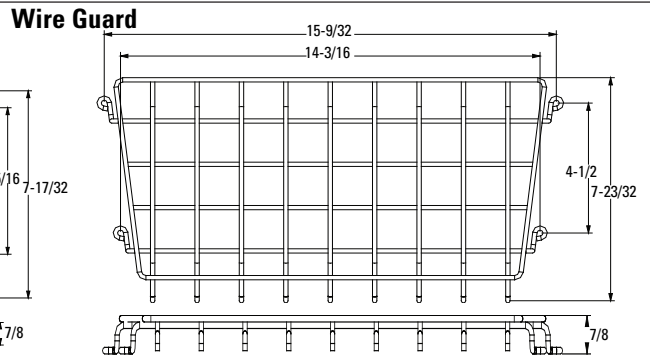
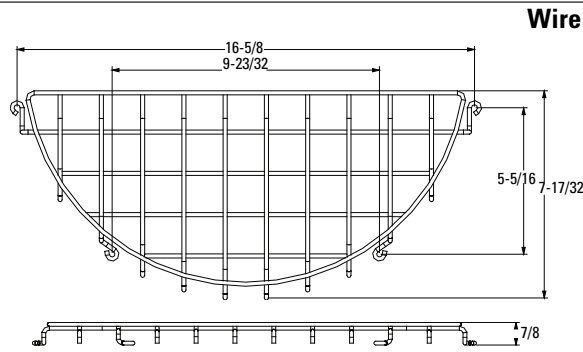
### Tools Required: Flat Blade Screwdriver

Dimensions are shown in inches.

Shipping package should contain the following: Wire Guard or Vandal Guard, installation screws - 3/8" (4).

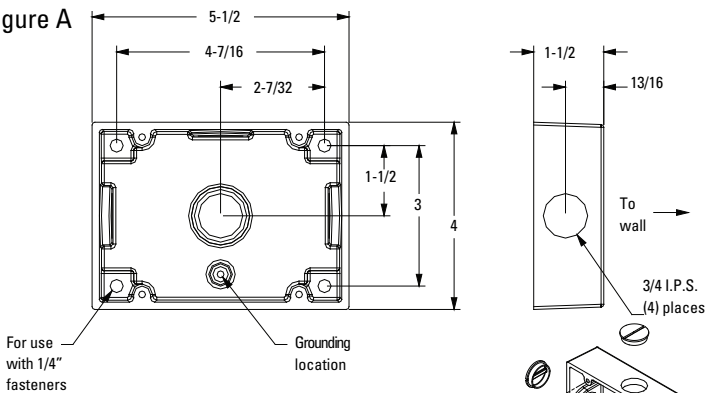
\*Door frame assembly must be drilled at factory to accept this option. Any field modifications void all warranties.

1. Remove accessory and (4) supplied mounting screws from carton.
2. Place accessory onto door frame aligning mounting holes in wire guard with predrilled mounting holes in door frame.
3. Using supplied 3/8" screws, secure wire guard to door frame. Do not over tighten. Over tightening will cause stripping and void all warranties.



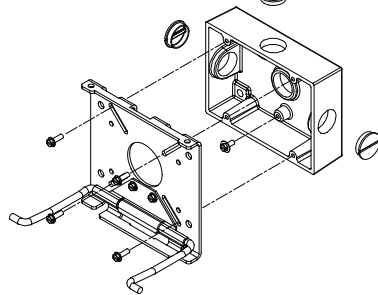
### Back Box (WSBBW)

Figure A



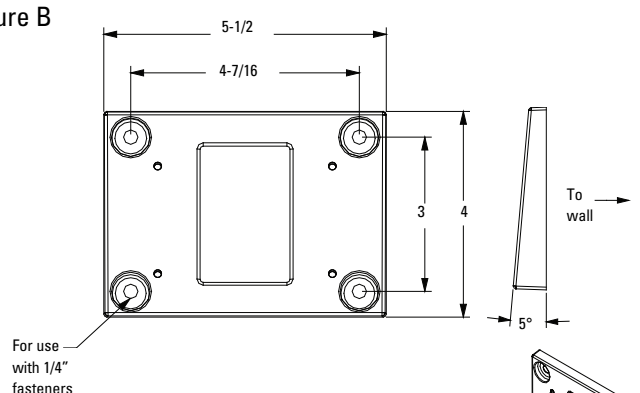
For use with 1/4" fasteners  
Grounding location

Shipping carton should include the following: Painted BBW with grounding lug, (4) 8-32 x 1/2" screws, (3) 3/4" hole plugs (installed).



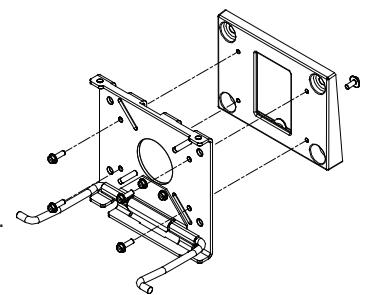
### Uptilt (WSUT5)

Figure B



For use with 1/4" fasteners

Shipping carton should include the following: Painted UT5 with grounding lug, (4) 8-32 x 1/2" screws.



BBW: Adjust hole plugs, making certain holes are completely closed, and seal unused entry points with silicone sealant (not provided).

1. Place BBW with solid face/UT5 with open face against wall, mark wall to drill for 4-1/2" anchors and remove.
2. Install (4) 1/4" anchors (not provided) securely into wall and attach BBW with solid face/UT5 with open face with (4) 1/4" fasteners (not provided). Install surface-mount conduit and secure with 3/4" NPT locking nut (not provided). Do not over tighten. Over tightening will cause stripping and void all warranties.
3. Secure green grounding wire from supply conductors to grounding lug in BBW or UT5.
4. Apply bead of silicone sealant (not provided) around perimeter of BBW, UT5, or between the BBW/UT5 connection (Figure C).
5. Place mounting plate over BBW or UT5 with integral mounting support down (as shown in Figure A), fasten mounting plate with supplied 3/8" screws. Consult fixture installation instruction to complete installation.

### BBW/UT5

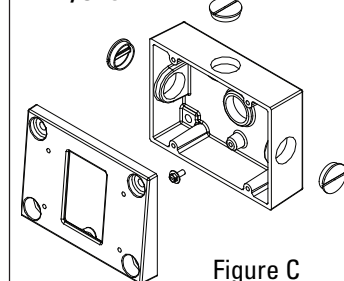


Figure C



An Acuity Brands Company  
©2003 Acuity Brands Lighting, Inc.  
All Rights Reserved. Rev. 05/10

Lithonia Lighting Outdoor  
One Lithonia Way, Conyers, GA 30012  
Phone: 800-279-8041 Fax: 770-918-1209  
www.lithonia.com

Part Number: RJ5210170 Rev. C  
Revision Date: 5/3/10