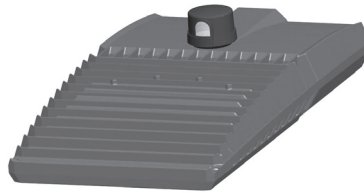


# TRIBORO™ 100W 150W 240W INSTRUCTIONS

# RAB®

Thank you for buying RAB lighting fixtures. Our goal is to design the best quality products to get the job done right. We'd like to hear your comments. Call the Marketing Department at 888-RAB-1000 or email: [marketing@rablighting.com](mailto:marketing@rablighting.com)



## IMPORTANT

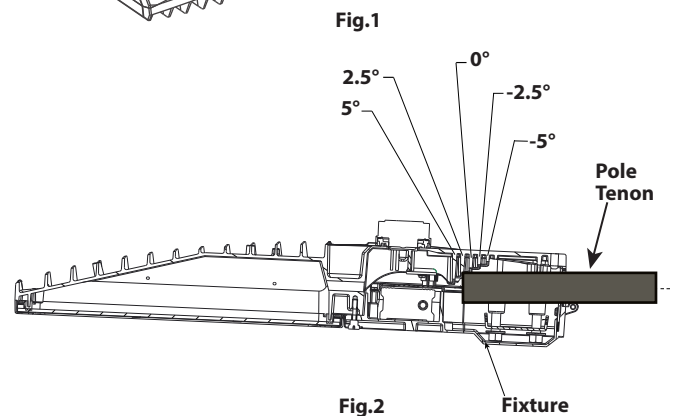
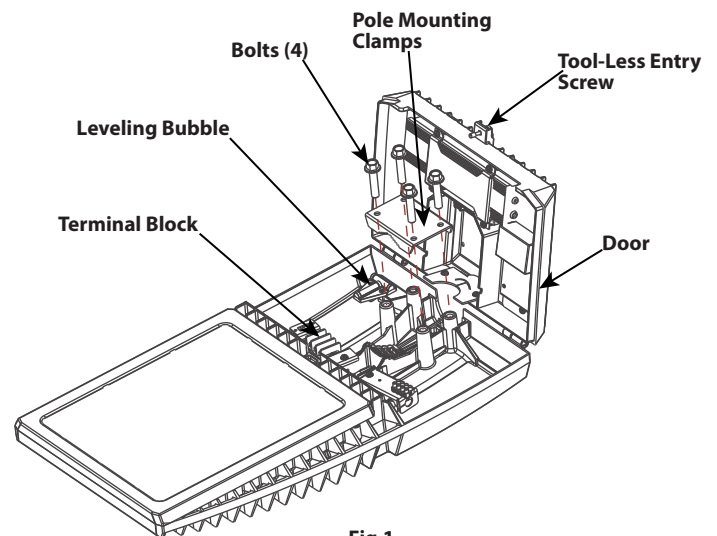
**READ CAREFULLY BEFORE INSTALLING FIXTURE. RETAIN THESE INSTRUCTIONS FOR FUTURE REFERENCE.**

RAB fixtures must be wired in accordance with the National Electrical Code and all applicable local codes. Proper grounding is required for safety. THIS PRODUCT MUST BE INSTALLED IN ACCORDANCE WITH THE APPLICABLE INSTALLATION CODE BY A PERSON FAMILIAR WITH THE CONSTRUCTION AND OPERATION OF THE PRODUCT AND THE HAZARDS INVOLVED.

**WARNING: Make certain power is OFF before installing or maintaining fixture. No user serviceable parts inside.**

## POLE MOUNTING

1. Open the **Door** by loosening **Tool-Less Entry Screw** and slide the **Housing** on the **Pole Tenon**.
2. The fixture fits on 1in, 1.25in, 1.5in or 2in **Pole Tenon**. **Pole Mounting Clamps** along with hardware are provided. Tenon arm diameter is marked on the clamp as shown in Fig.1.
3. Secure fixture on **Pole Tenon** with **Pole Mounting Clamp** and tightening **Bolts (2)** provided.
4. The **Fixture** can be mounted at -5 degrees, -2.5 degrees, 0 degrees, 2.5 degrees, and 5 degrees as marked in Fig.2. Use **Leveling Bubble** to level **Fixture**.  
Note: **Fixture** is mounted at 5 degrees upward tilt in Fig.2.
5. Feed supply wires from **Pole Tenon** into the **Fixture**. Make necessary connections according to NEC and local codes to complete electrical splices to **Terminal Block** in **Fixture**.
6. Close the **Door** and tighten **Tool-Less Entry Screw**.



# TRIBORO™ 100W 150W 240W INSTRUCTIONS



Thank you for buying RAB lighting fixtures. Our goal is to design the best quality products to get the job done right. We'd like to hear your comments. Call the Marketing Department at 888-RAB-1000 or email: [marketing@rablighting.com](mailto:marketing@rablighting.com)

## 0-10V DIMMABLE WIRING

Universal voltage driver permits operation at 120V thru 277V, 50 or 60 Hz. For 0-10V Dimming, follow the wiring directions as in fig. 3.

1. Connect the black fixture lead to the (+) LINE supply lead.
2. Connect the white fixture lead to the (-) COMMON supply lead.
3. Connect the GROUND wire from fixture to supply ground. Do NOT connect the GROUND of the dimming fixture to the output.
4. Connect the purple fixture lead to the (V+) DIM lead.
5. Connect the gray fixture lead to the (V-) DIM lead.
6. Cap the yellow fixture lead, if present. Do NOT connect.

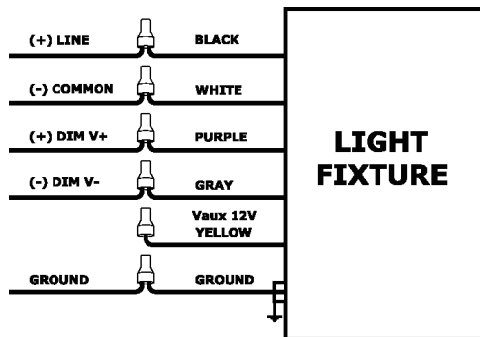


Fig. 3

## 7 PIN RECEPTACLE

Triboro is supplied with 7 pin receptacle wired in the fixture as standard.

Brown and Orange wires from the receptacle are not connected and are reserved to DALI or other control systems.

## CLEANING & MAINTENANCE

**CAUTION: Be sure fixture temperature is cool enough to touch. Do not clean or maintain while fixture is energized.**

1. Clean glass lens with non-abrasive glass cleaning solution.
2. Do not open fixture to clean the LED. Do not touch the LED.

## TROUBLESHOOTING

1. Check that the line voltage at fixture is correct. Refer to wiring directions.
2. Be sure the fixture is grounded properly.
3. Is the photocell functioning properly (if used)?

**Pending: Patent**

*Note: These instructions do not cover all details or variations in equipment nor do they provide for every possible situation during installation, operation or maintenance.*



**Easy Answers**

© 2018 RAB LIGHTING Inc.  
Northvale, New Jersey 07647 USA

[rablighting.com](http://rablighting.com)  
Visit our website for product info

**Tech Help Line**  
Call our experts - 888 722-1000

**e-mail**  
Answered promptly - [sales@rablighting.com](mailto:sales@rablighting.com)

**Free Lighting Layouts**  
Answered online or by request