

# Concrete Floor Box System

Cat. Nos. FBBOX, FBLEV, FBC1X, FBC1F, FBC1S, FBC2F



## WARNINGS

**TO AVOID FIRE, SHOCK OR DEATH, TURN OFF POWER AT CIRCUIT BREAKER OR FUSE AND TEST THAT THE POWER IS OFF BEFORE WIRING!**  
**TO AVOID FIRE, SHOCK OR DEATH, WHEN THE BOX IS USED IN APPLICATIONS WITH BOTH LINE AND LOW VOLTAGE, DO NOT APPLY POWER UNTIL DEVICES ARE TERMINATED AND DIVIDER IS IN PLACE. IMPORTANT: ALWAYS ROUTE LOW VOLTAGE WIRING THROUGH CONDUIT PORT LABELED "DATA".**  
**TO AVOID FIRE, SHOCK OR DEATH CAUSED BY ARCING, DO NOT ADJUST THE LEVELING RING TOO HIGH TO CREATE A GAP BETWEEN THE BOTTOM OF THE LEVELING RING AND THE TOP RIM OF THE FLOOR BOX.**

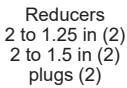
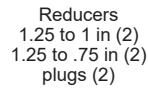
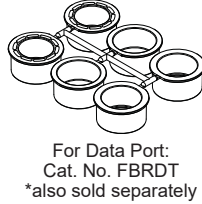
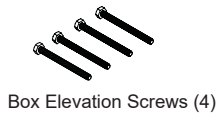
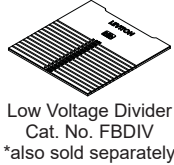
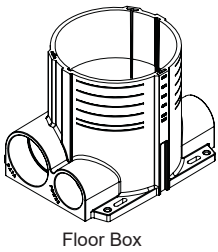
- Install and/or use in accordance with appropriate electrical codes and regulations.
- Leviton Reducers (FBRDT, FBRPW), Leveling Ring (FBLEV), Low Voltage Divider (FBDIV), Y Adapter (FBYAD) and all cover plate kits are meant for use with Leviton FBBOX only.
- Leviton FBBOX should only be installed by an electrician.
- Use this device with **copper or copper clad wire only**.

PK-A3232-10-00-0A

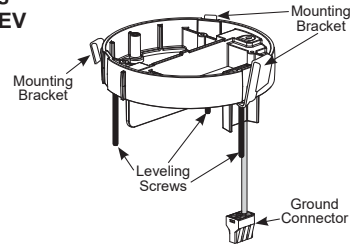
## INSTALLATION INSTRUCTIONS

ENGLISH

### Concrete Floor Box Kit Contents Cat. No. FBBOX



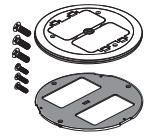
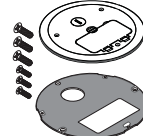
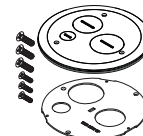
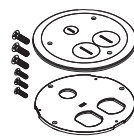
### Leveling Ring Cat. No. FBLEV



### Y Adapter Cat. No. FBYAD



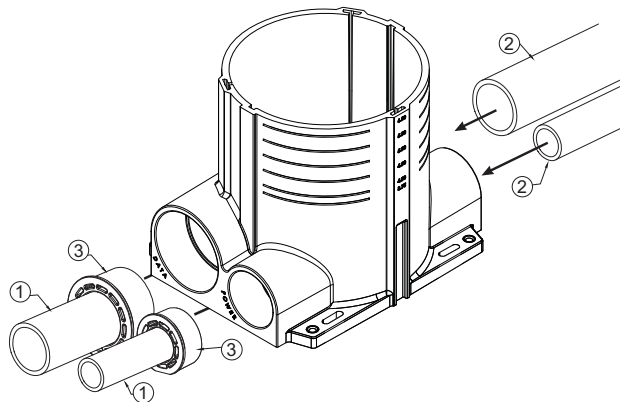
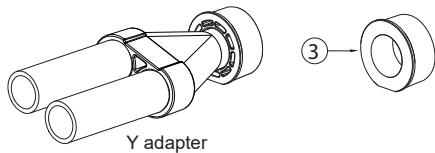
### Cover Plate Kits



## Installation

### 1 Secure the floor box

- Position the floor box and connect conduit (1) (2).
  - Use the reducers (3) if necessary. Plug the unused conduit ports.
- NOTE:** A "Y" adapter is sold separately to split power conduit. Use reducer.

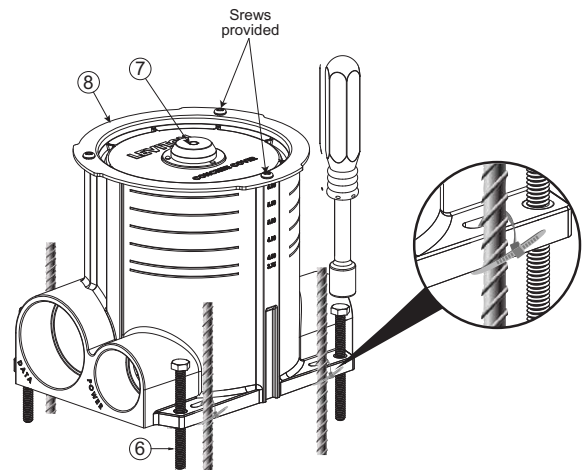


### 2 Level the floor box

- Temporarily store low voltage divider in box.
- Attach protective cover (8) using the screws provided. **DO NOT** over torque.
- Use the elevation screws (6) and the bullseye level (7) on the protective cover (8) to level the box.

**NOTE:** The top of the floor box should extend above the level of the poured concrete to accommodate additional flooring. The floor box can be cut flush after flooring is installed.

- Slots can be used to secure floor box to rebar.
- Pour concrete and let it cure.

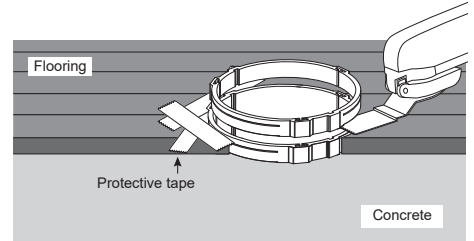


WEB VERSION

## Installation (continued)

### 3 Adjust floor box height flush with floor.

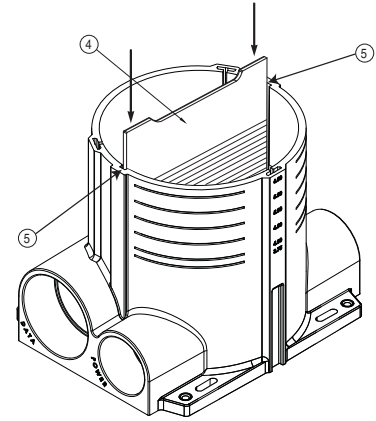
- Install flooring if any.  
**NOTE:** A 5-7/8 inch diameter opening in flooring material is required to allow access to the floor box.
- After all substrates and flooring are installed, remove the protective cover and divider.
- Cut the top of the box flush with the surface of the flooring.  
**NOTE:** Use tape to protect floor finish during cutting.



### 4 When combining low voltage and line voltage devices, install the divider.

- Measure from the inside bottom of the floor box to the top of the cut edge.
- Score and snap the divider to height using the table below.

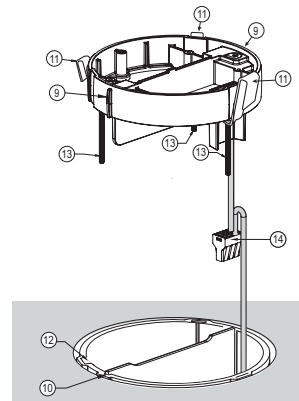
Depth	Cut divider at mark	Depth	Cut divider at mark
6.8125 - 6.5625 in (173 - 167mm)	No cut	5.0625 - 4.8125 in (129 - 122mm)	5
6.5625 - 6.3125 in (167 - 160mm)	6.5	4.8125 - 4.5625 in (122 - 116mm)	4.75
6.3125 - 6.0625 in (160 - 154mm)	6.25	4.5625 - 4.3125 in (116 - 110mm)	4.5
6.0625 - 5.8125 in (154 - 148mm)	6	4.3125 - 4.0625 in (110 - 103mm)	4.25
5.8125 - 5.5625 in (148 - 141mm)	5.75	4.0625 - 3.8125 in (103 - 97mm)	4
5.5625 - 5.3125 in (141 - 135mm)	5.5	3.8125 - 3.5625 in (97 - 90mm)	3.75
5.3125 - 5.0625 in (135 - 129mm)	5.25	3.5625 - 3.4375 in (90 - 87mm)	3.5



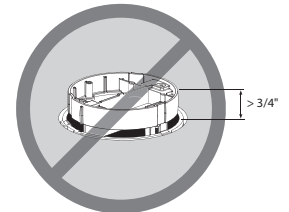
- Slide divider (4) into grooves (5) on floor box until fully seated on bottom.

### 5 Install the leveling ring (sold separately).

- Slide the tongues (9) on the leveling ring into the grooves (10) on the floor box.
- Hammer the mounting brackets (11) into the bracket slots (12) in the box.
- Use the leveling ring screws (13) to adjust the height and pitch of the leveling ring so it is flush with the floor surface. Alternate turning the screws to keep the ring level.  
**NOTE:** The ring must be flush with the floor surface for the permanent cover to seal properly.
- WARNING: TO AVOID FIRE, SHOCK OR DEATH CAUSED BY ARCING, DO NOT ADJUST THE LEVELING RING TOO HIGH TO CREATE A GAP BETWEEN THE BOTTOM OF THE LEVELING RING AND THE TOP RIM OF THE FLOOR BOX.**
- Connect the system ground to the leveling ring using the grounding connector (14) and the ground wire.



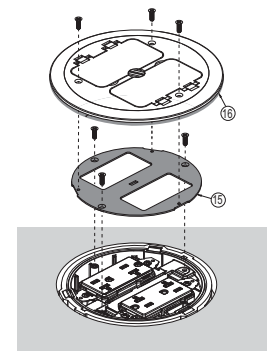
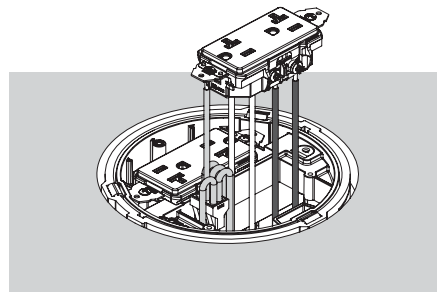
**WARNING! DO NOT EXCEED 3/4 INCH!**



### 6 Install the cover plate kit (sold separately).

- Connect the receptacle(s) per the receptacle instructions. **NOTE:** The mounting strap ears on the receptacle must be removed.
- Attach the receptacle(s) or other devices on the leveling ring as desired.  
**WARNING: TO AVOID FIRE, SHOCK OR DEATH, WHEN THE BOX IS USED IN APPLICATIONS WITH BOTH LINE AND LOW VOLTAGE, DO NOT APPLY POWER UNTIL DEVICES ARE TERMINATED AND DIVIDER IS IN PLACE.**
- Attach the grounding plate (15) using screws provided. Use 7-9 inch pounds of torque. **DO NOT** over torque.
- Attach the cover plate kit (16) using the O-ring screws provided. Use 9 inch pounds of torque. **DO NOT** over torque.

Wire Fill Calculations	
Depth (inside bottom to top)	Volume per Gang In <sup>3</sup> (ml)
6.0 in (152 mm)	60 (983)
5.5 in (140 mm)	54 (885)
5.0 in (127 mm)	49 (803)
4.5 in (114 mm)	44 (721)
4.0 in (102 mm)	38 (623)
3.75 in (95 mm)	36 (590)
3.5 in (89 mm)	34 (557)



Two-gang Cover Kit for Decora® Devices Cat. No. FBC2F (shown)

## LIMITED 10 YEAR WARRANTY AND EXCLUSIONS

For warranty information, go to [www.leviton.com](http://www.leviton.com). For a printed copy of the warranty you may call 1-800-323-8920 or write to Leviton Manufacturing Co., Inc., Attn: Customer Service Dept., 201 North Service Road, Melville, New York 11790.

**FOR CANADA ONLY** - For warranty information and/or product returns, residents of Canada should contact Leviton in writing at Leviton Manufacturing of Canada Ltd to the attention of the **Quality Assurance Department, 165 Hymus Blvd, Pointe-Claire (Quebec), Canada H9R 1E9 or by telephone at 1 800 405-5320.**