

READ AND FOLLOW ALL SAFETY INSTRUCTIONS!

SAVE THESE INSTRUCTIONS AND DELIVER TO OWNER AFTER INSTALLATION

- To reduce the risk of death, personal injury or property damage from fire, electric shock, falling parts, cuts/abrasions, and other hazards please read all warnings and instructions included with and on the fixture box and all fixture labels.
- Before installing, servicing, or performing routine maintenance upon this equipment, follow these general precautions.
- Installation and service of luminaires should be performed by a **qualified licensed electrician**.
- Maintenance of the luminaires should be performed by person(s) familiar with the luminaires' construction and operation and any hazards involved. Regular fixture maintenance programs are recommended.
- It will occasionally be necessary to clean the outside of the refractor/lens. Frequency of cleaning will depend on ambient dirt level and minimum light output which is acceptable to user. Refractor/lens should be washed in a solution of warm water and any mild, non-abrasive household detergent, rinsed with clean water and wiped dry. Should optical assembly become dirty on the inside, wipe refractor/lens and clean in above manner, replacing damaged gaskets as necessary.
- **DO NOT INSTALL DAMAGED PRODUCT!** This luminaire has been properly packed so that no parts should have been damaged during transit. Inspect to confirm. Any part damaged or broken during or after assembly should be replaced.
- Recycle: For information on how to recycle LED electronic products, please visit www.epa.gov.
- These instructions do not purport to cover all details or variations in equipment nor to provide every possible contingency to meet in connection with installation, operation, or maintenance. Should further information be desired or should particular problems arise which are not covered sufficiently for the purchaser's or owner's purposes, this matter should be referred to Acuity Brands Lighting, Inc.



WARNING
RISK OF ELECTRIC SHOCK

- ✓ Disconnect or turn off power before installation or servicing.
- ✓ Verify that supply voltage is correct by comparing it with the luminaire label information.
- ✓ Make all electrical and grounded connections in accordance with the National Electrical Code (NEC) and any applicable local code requirements.
- ✓ All wiring connections should be capped with UL approved recognized wire connectors.



WARNING
RISK OF BURN

- ✓ Allow lamp/fixture to cool before handling. Do not touch enclosure or light source.
- ✓ Do not exceed maximum wattage marked on luminaire label.
- ✓ Follow all manufacturer's warnings, recommendations and restrictions for: driver type, burning position, mounting locations/methods, replacement and recycling.



CAUTION
RISK OF INJURY

- ✓ Wear gloves and safety glasses at all times when removing luminaire from carton, installing, servicing or performing maintenance.
- ✓ Avoid direct eye exposure to the light source while it is on.



CAUTION
RISK OF FIRE

- ✓ Keep combustible and other materials that can burn, away from lamp/lens.
- ✓ Do not operate in close proximity to persons, combustible materials or substances affected by heat or drying.



CAUTION: RISK OF PRODUCT DAMAGE

- ✓ Never connect components under load.
- ✓ Do not mount or support these fixtures in a manner that can cut the outer jacket or damage wire insulation.
- ✓ Controls for dimming, auto-sensing, or remote control of a luminaire that are not factory-wired to the luminaire must be checked for compatibility with the luminaire prior to installation. LED fixtures must be powered directly off a switched circuit.
- ✓ Unless individual product specifications deem otherwise: Do not restrict fixture ventilation. Allow for some volume of airspace around fixture. Avoid covering LED fixtures with insulation, foam, or other material that will prevent convection or conduction cooling.
- ✓ Unless individual product specifications deem otherwise: Do not exceed fixtures maximum ambient temperature.
- ✓ Only use fixture in its intended location.
- ✓ LED products are Polarity Sensitive. Ensure proper Polarity before installation.
- ✓ Electrostatic Discharge (ESD): ESD can damage LED fixtures. Personal grounding equipment must be worn during all installation or servicing of the unit.
- ✓ Do not touch individual electrical components as this can cause ESD, shorten lamp life, or alter performance.
- ✓ Some components inside the fixture may not be serviceable. In the unlikely event your unit may require service, stop using the unit immediately and contact an ABL representative for assistance.
- ✓ Always read the fixtures complete installation instructions prior to installation for any additional fixture specific warnings.
- ✓ Always ensure that the electrical distribution system is up to NEC (and any applicable local code) requirements.
- ✓ Verify that power distribution system has proper grounding. Lack of proper earth ground can lead to fixture failure and may void warranty.

Choose either Part 15 OR Part 18 and move to Page 3 Installation Instructions under Delivery. Lithonia Outdoor will always use Part 15. All luminaires that contain electronic devices that generate frequencies above 9kHz from any component within the luminaire comply with Part 15 of the FCC Rules. Operation is subject to the following two conditions:

- (1) This device may not cause harmful interference
- (2) This device must accept any interference received, including interference that may cause undesired operation

This device complies with Part 18 of the FCC Rules but may cause interference with cordless and cell phones, radios, televisions, and other electronic devices. To correct the problem, move the device away from the luminaire or plug into a different outlet. This product may cause interference to radio equipment and should not be installed near maritime safety communications equipment or other critical navigation or communications equipment operating between 0.45-30MHz.

Failure to follow any of these instructions could void product warranties. For a complete listing of product Terms and Conditions, please visit www.acuitybrands.com.

Our Brands	Indoor/Outdoor Lithonia Lighting Carandini Holophane RELOC Light Concepts	Indoor Lighting Gotham Mark Architectural Lighting Peerless Renaissance Lighting Winona Lighting	Outdoor Lighting American Electric Lighting Antique Street Lamps Hydrel Tersen	Controls DARK TO LIGHT LC&D ROAM Sensor Switch Synergy	Daylighting SunOptics
------------	--	---	--	---	--------------------------

Acuity Brands Lighting, Inc. assumes no responsibility for claims arising out of improper or careless installation or handling of its products.

ABL LED General Warnings, Form No. 503.203

© 2010, 2016 Acuity Brands Lighting, Inc. All rights reserved. 12/01/10

CLX LED STRIP/LOW BAY

INSTALLATION INSTRUCTIONS

WARNING: Please read all “important safety instructions” prior to installation of this product.

A) Identification of CLX Luminaire – Page 4 - 5

- 1) CLX L24 1500LM, 2000LM, 2500LM, 3500LM, 4500LM, 5000LM
- 2) CLX L36 2250LM, 3000LM, 3750LM, 5250LM, 6750LM, 7500LM
- 3) CLX L48 3000LM, 4000LM, 5000LM, 7000LM, 9000LM, 10000LM
- 4) CLX L96 6000LM, 8000LM, 10000LM, 14000LM, 18000LM, 20000LM
- 5) Lens (FDL, RDL, WDL) Options
- 6) Sensor Option
- 7) PS1050 Option
- 8) ZAC/HC36 V-HANGER Accessory
- 9) THCLX (Surface Mount) Accessory
- 10) CLXANGBKT Accessory

B) Required Handling Locations – Page 5

C) Pre-installation for all mounting – Page 5

D) Installation – Suspended Fixture – Page 6

E) Installation – THCLX (Surface) Mount – Page 7

F) Wiring – Emergency (BGTD, PS1050) – Page 8

G) Commissioning nLight AIR (NLTAIR2 RES7, NLTAIR2 RES7PDT, NLTAIR2 RIO) – Page 8

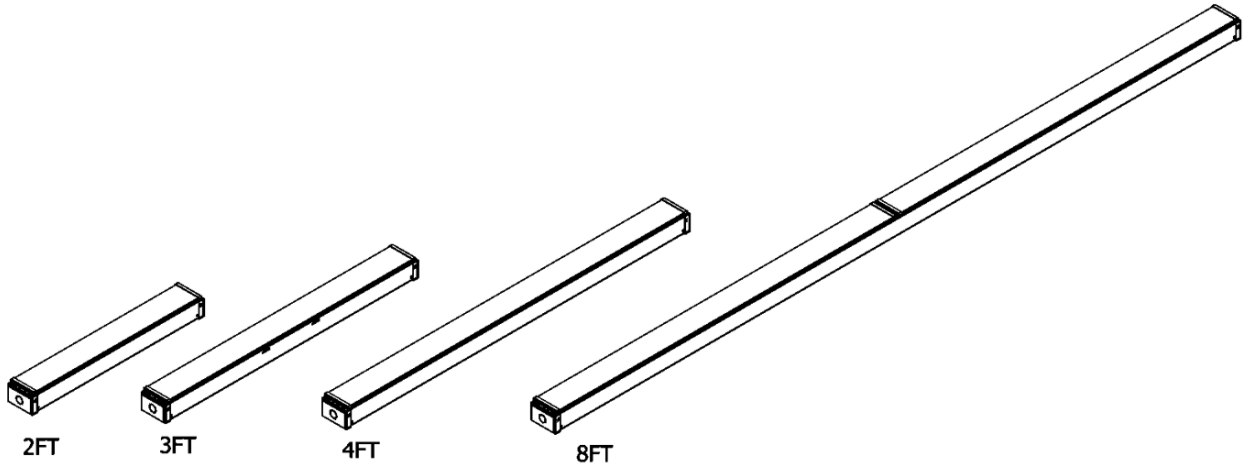
H) Servicing – Lens Attachment/Removal, LED Channel Removal - Page 8 - 10

I) Accessory installations – Page 10 - 12

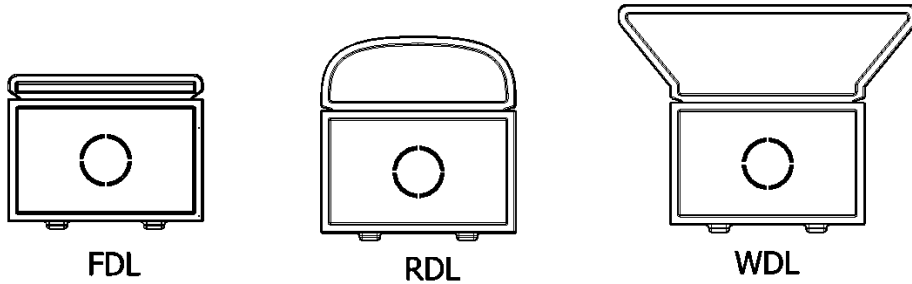
- 1) Narrow Reflector
- 2) Wide Reflector
- 3) Wireguard
- 4) Louver
- 5) Angle Bracket

SECTION A: Identification of CLX Luminaire

CLX Length Options

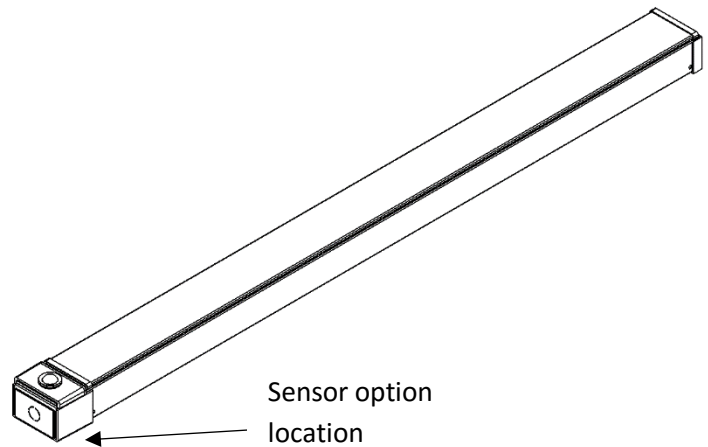
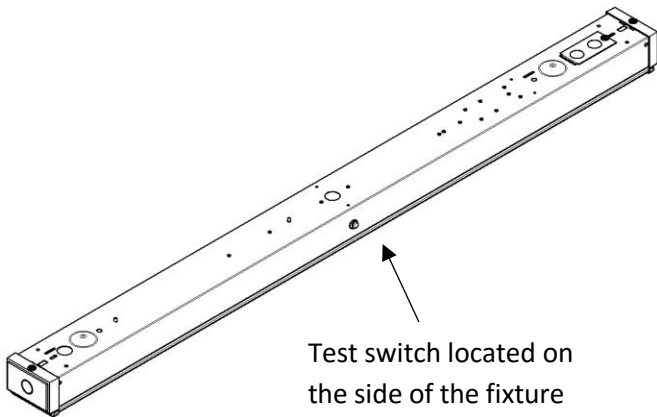


CLX Lens Options

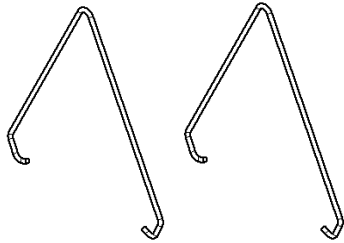


PS1050 OPTION

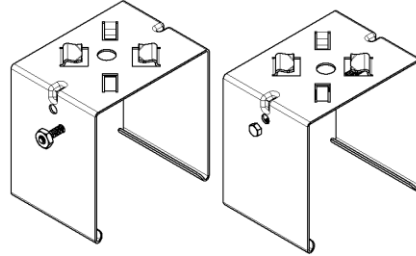
Sensor OPTION



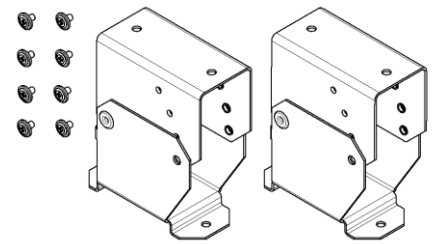
ZAC/HC36 V-HANGER ACCESSORY



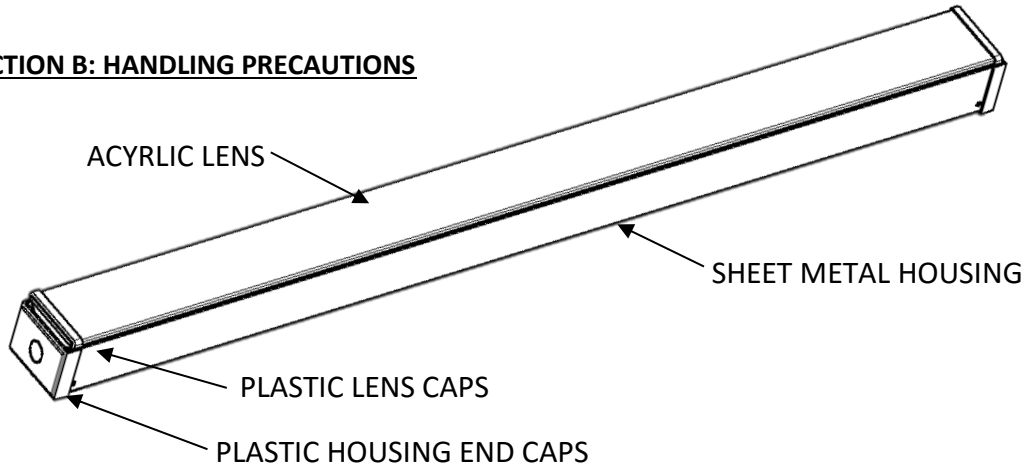
THCLX HANGER



CLXANGBKT



SECTION B: HANDLING PRECAUTIONS



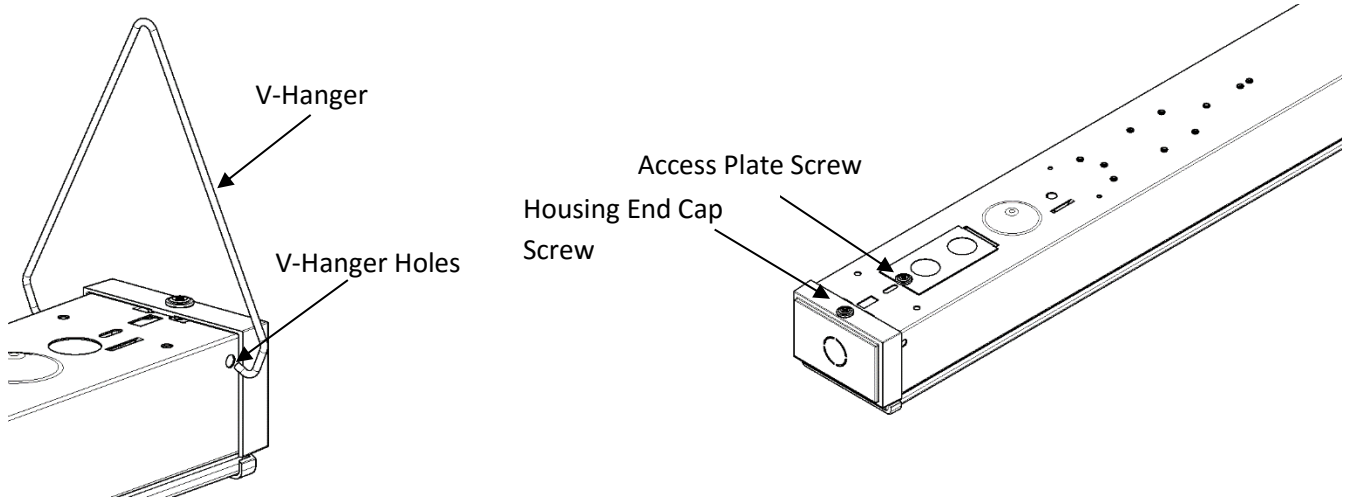
When handling the fixture during unpacking and installation take precautions of the plastic Lens and plastic end caps. Dropping the fixture or excess force on the end caps or lens can cause damage.

Section C: PRE-INSTALLATION FOR ALL MOUNTING

1. Ensure power is OFF.
2. Inspect the mounting location for damage before installing new CLX Luminaire. Ensure mounting structure is properly sized to support the fixture.
3. Remove luminaire from packing and inspect for any damages. If the fixture is damaged do not use; call your local representative for assistance.
4. **WARNING!** Removing the lens and opening the fixture during installation exposes the LED's and puts them at risk for damage. Damage to the LEDs caused during installation will not be covered under the warranty.

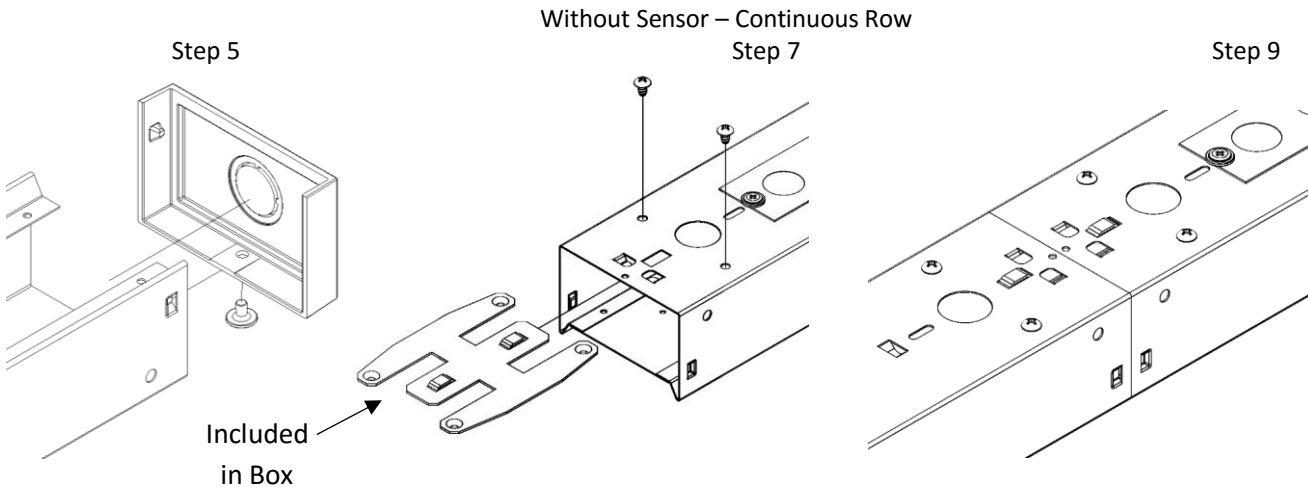
SECTION D: INSTALLATION - SUSPENDED FIXTURE

- 1) Feed V-hanger into holes on the Driver channel.
 - 1a) If using aircraft cable with canopy attach bracket to ceiling. Feed aircraft cable through the small threaded pipe. Insert threaded rod into small threaded pipe. Place canopy over bracket and screw the threaded pipe/rod assembly into bracket holding the canopy in place. Open fixture by removing LED Channel and attach large threaded assembly to fixture through 0.3" dia hole using nut provided. Close fixture and feed aircraft cable through large threaded assembly. Requires two per fixture.
- 2) Ensure supply wire is not active. If using a continuous row mount skip to steps 5-9.
- 3) Remove access plate screw as shown below. Input wires will be attached to the access plate. Remove the necessary knockout(s) and connect input wires black to black, white to white and green to green. Use only UL listed connectors rated 75C or greater. Purple and Gray wires are low voltage dimming leads. If ordering with OUTEND option ensure end cap hole and wires are enclosed with a UL approved barrier (cordset, conduit, etc).
- 4) Push wires into Driver channel and reattach the access plate.



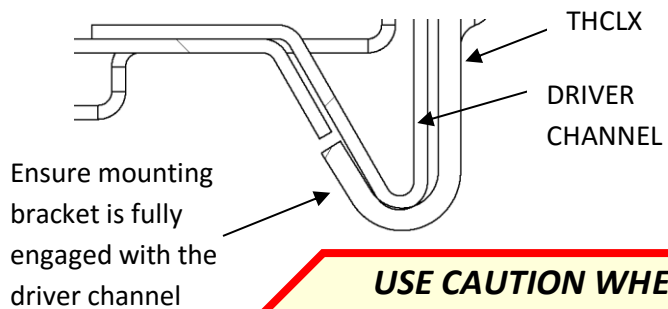
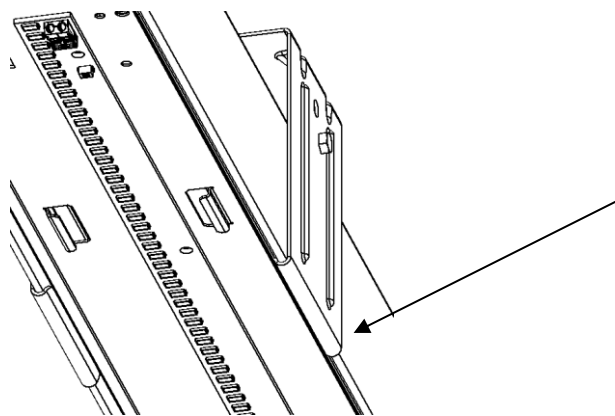
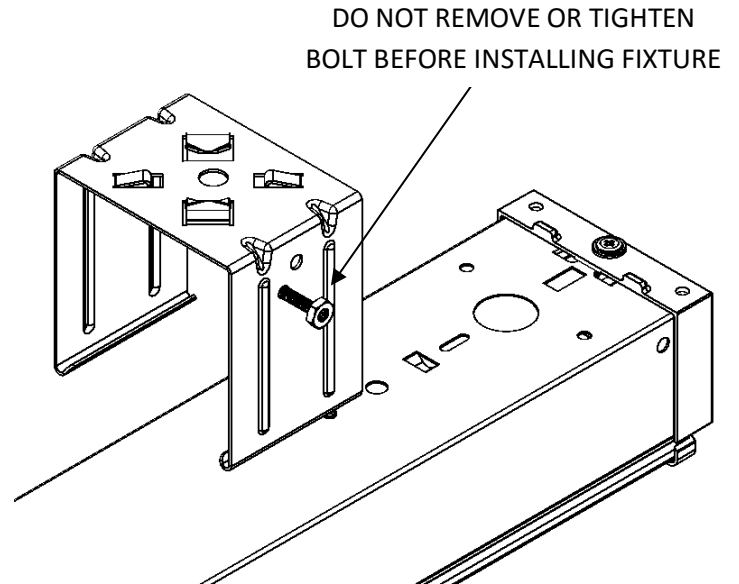
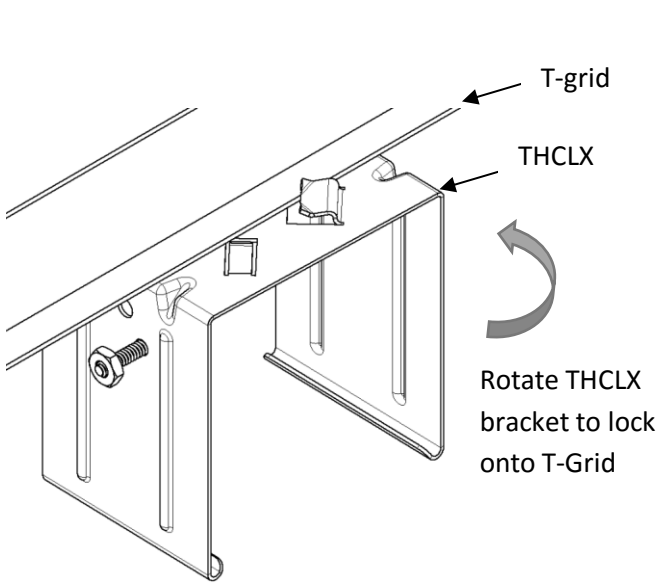
For Continuous Row

- 5) For STD configurations, Remove Housing End Cap(s) with one screw and disengage end cap snap features. For L/EP option, fixture shipped without endcaps for ease of continuous row mounting. **WARNING - Fixtures at end of row must have Housing End Caps installed, as shown below. Housing End Caps can be ordered using nomenclature CLXEPxx xxxx. Failure to install Housing End Caps is a safety hazard.**
- 6) If supplied with a PLR (continuous row wiring), pull PLR connector from fixture. Male will be located on the access plate side.
- 7) Attach Continuous row mounting bracket into fixture A (supplied with fixture) by snapping into the driver channel and attaching two screws provided in hardware bag.
- 8) If using a PLR continuous row wiring system, connect female PLR plug from fixture B into the Male PLR plug from fixture A.
- 9) Snap fixture B into the continuous row bracket and attach using the remaining two screws from the hardware bag.



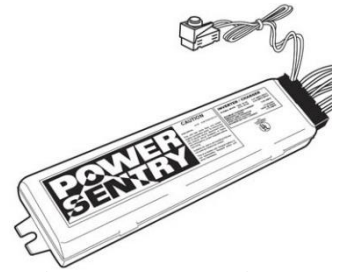
SECTION E: INSTALLATION – CLX HANGER MOUNT (THCLX)

- 1) Attach CLX brackets to structure. If mounting to a T-Grid snap Mounting bracket into T-Grid as shown below. Two CLX brackets **MUST** be used for standalone fixtures. If mounting in a continuous row one bracket per fixture with one additional bracket per row must be used at a minimum. Two brackets per fixture is highly recommended.
- 2) Snap Fixture into the THCLX mounting bracket. Ensure fixture is fully engaged into the THCLX bracket, as shown below.
- 4) Follow steps 2-9 from the suspended mount instructions
- 4) Tighten THUN brackets around center channel as shown below. Tighten bolts to 13 in/lbs.



**USE CAUTION WHEN
WORKING NEAR
EXPOSED LEDS**

Damage to LEDS during installation will not be covered under warranty



Section F: Wiring – Emergency (BGTD, PS1050, E10WLCP)

- 1) Install fixture with mounting brackets, directly to surface, or with V-hooks. Do not wire.
- 2) The emergency battery pack indicator light needs to be plugged in during installaion. Remove housing end cap near access plate as shown in previous instructions.
- 3) For the emergency battery pack the fixture will be provided with a wiring harness at the access plate end. Attach the two connectors together to activate the battery pack
- 4) Connect unswitching power to unswitched fixture wire. Connect switched power to white, black, and green wires. Supply wire must meet applicable electrical codes and be rated for a minimum of 90°C. Purple and gray leads are 0-10V (low voltage) dimming leads.

Worst case maximum mounting height	
CLX FDL WD 30K 90CRI	21 FT

SECTION G: nLight AIR Commissioning (NLTAIR2 RES7, NLTAIR2 RES7PDT, NLTAIR2 RIO)

Out of the Box Sensors perform as follows:

100% Light Output for 7.5 minutes, then 1% light output for 2.5minutes before turning off.

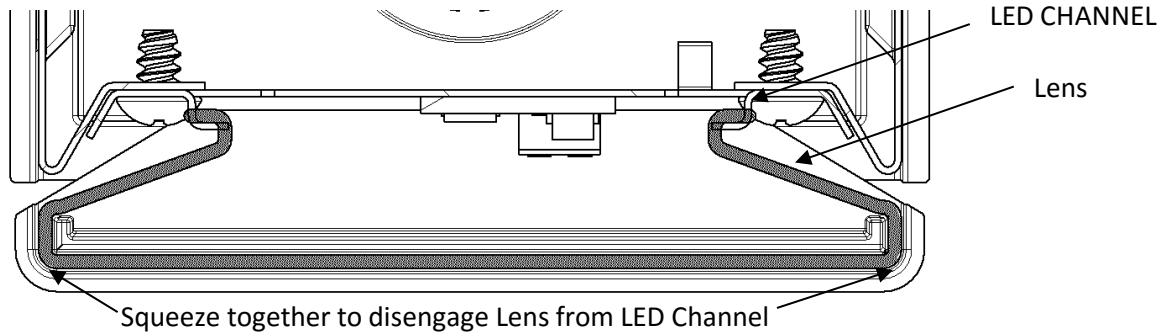
- 1) Please refer to *nLight AIR Quick Start Guide* ([912-00058-001](http://www.acuitybrands.com/912-00058-001)) included with the luminaire.
- 2) Please locate additional references and resources below:

<http://www.acuitybrands.com/clx>

<http://www.acuitybrands.com/nlightair>

SECTION H: SERVICING

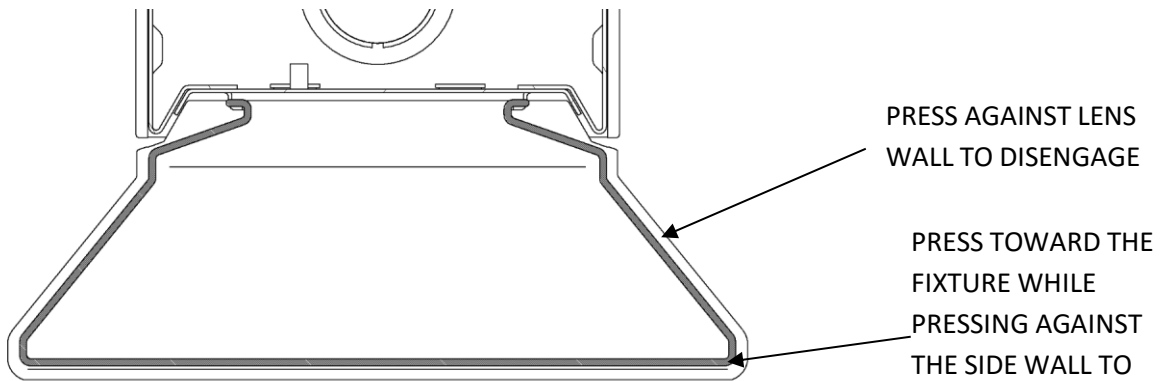
- 1) Clean fixture as needed. Double check all mounting hardware.
- 2) After installation, wear protective gloves if the lenses need to be removed
- 3) The lens snaps into the LED channel. To remove lens, carefully squeeze lens together to disengage from LED channel.
- 4) To replace the lens snap into LED Channel as shown in the image below.



FDL/RDL detachment

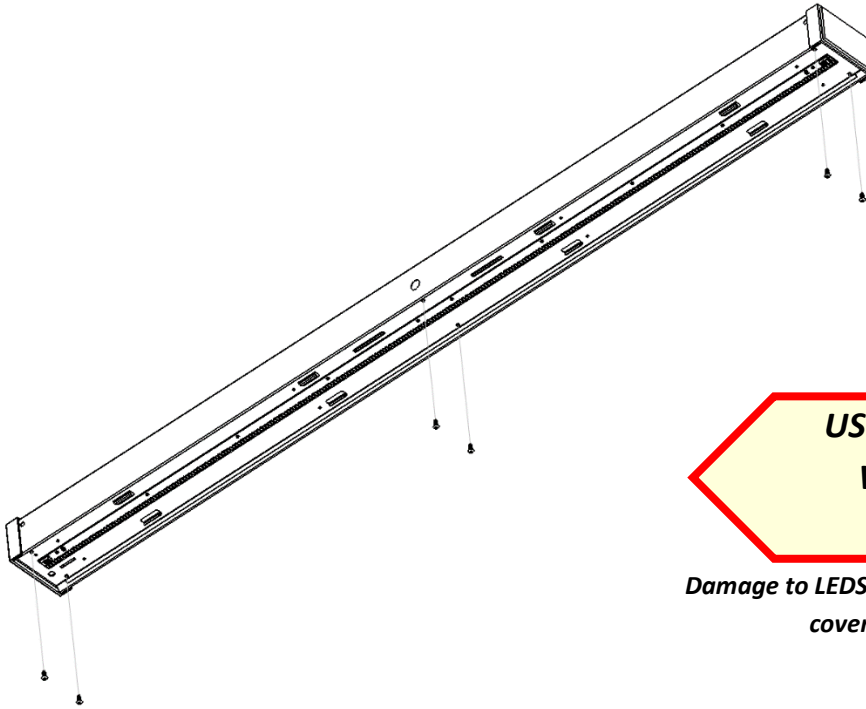
**USE CAUTION WHEN
WORKING NEAR
EXPOSED LEDS**

Damage to LEDS during installation will not be covered under warranty



WDL DETACHMENT/REATTACHMENT

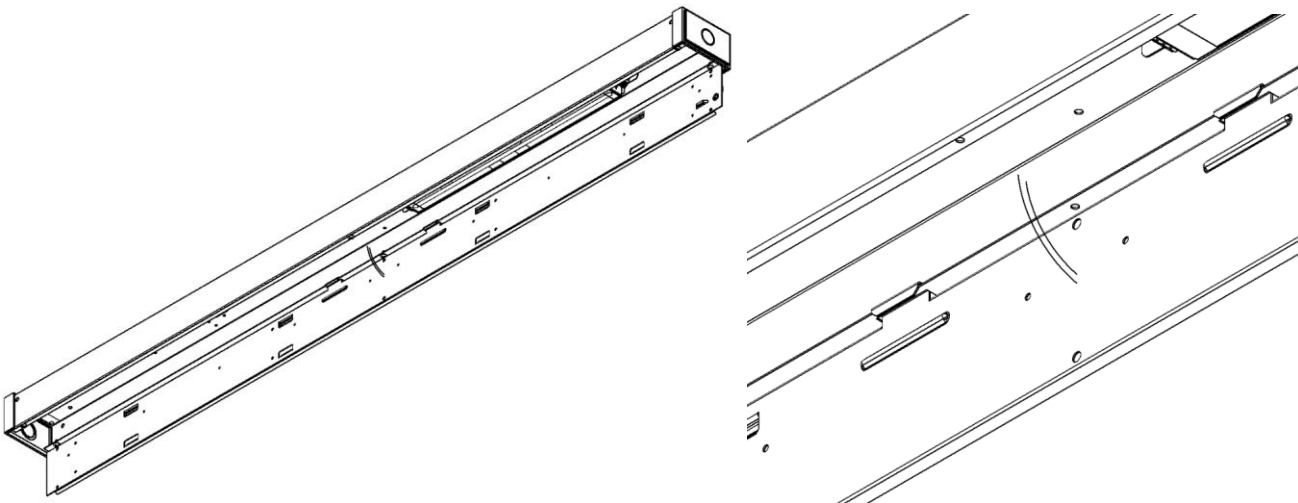
5) To access electrical components, remove the six screws shown below.



**USE CAUTION WHEN
WORKING NEAR
EXPOSED LEDS**

Damage to LEDS during installation will not be covered under warranty

6) LED Channel MUST hang from driver channel during servicing as shown below.

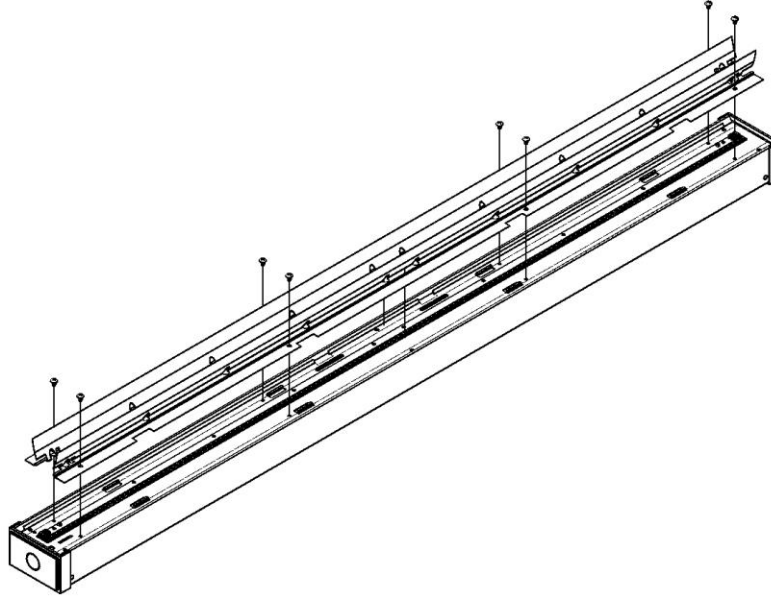


- 7) If replacing drivers, ensure power to the fixture is off
- 8) Tag leads before disconnecting
- 9) Disconnect all leads from old driver.
- 10) Unscrew driver using two screws. Attach new driver to channel using two screws.
- 11) Connect leads to corresponding driver ports
- 12) Close LED channel and secure using six screws.

SECTION I: Accessories

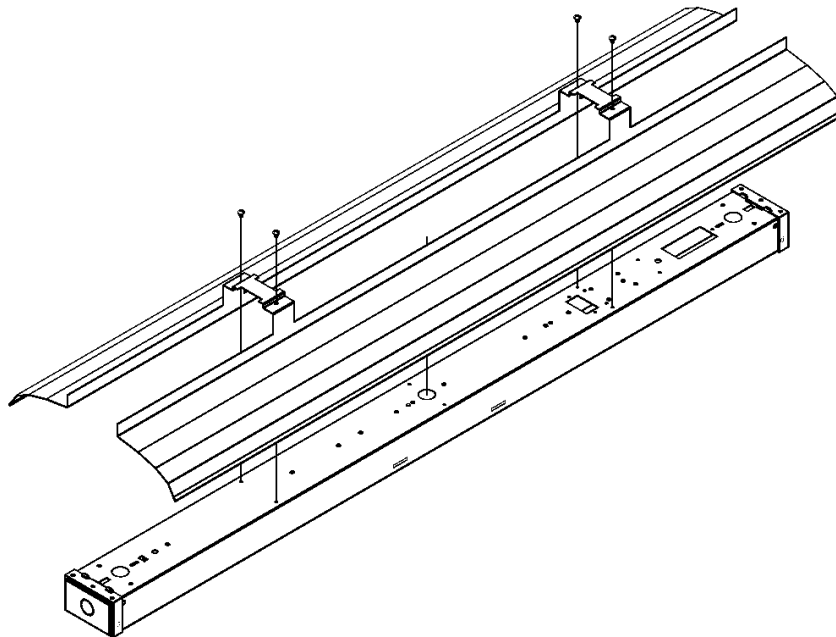
Narrow Reflector (CLXRN)

1) Attach Narrow reflectors to LED channel using six screws provided. As shown below



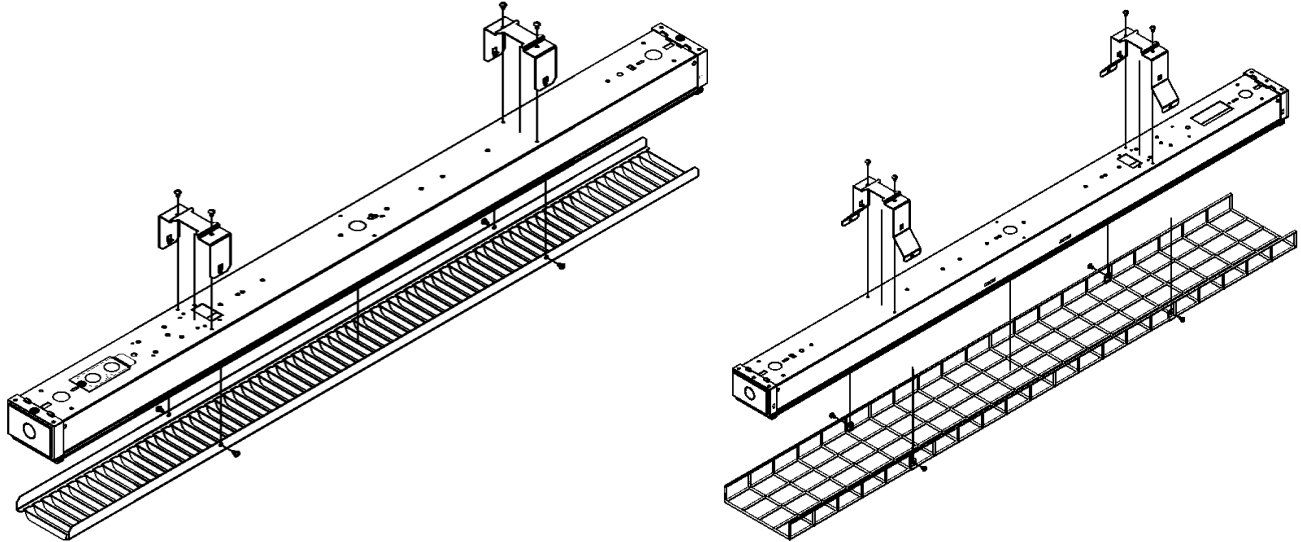
Wide Reflector (CLXRW)

1) Install Wide Reflector on top of the fixture.
2) Attach to Driver Channel using four screws provided. As shown below.



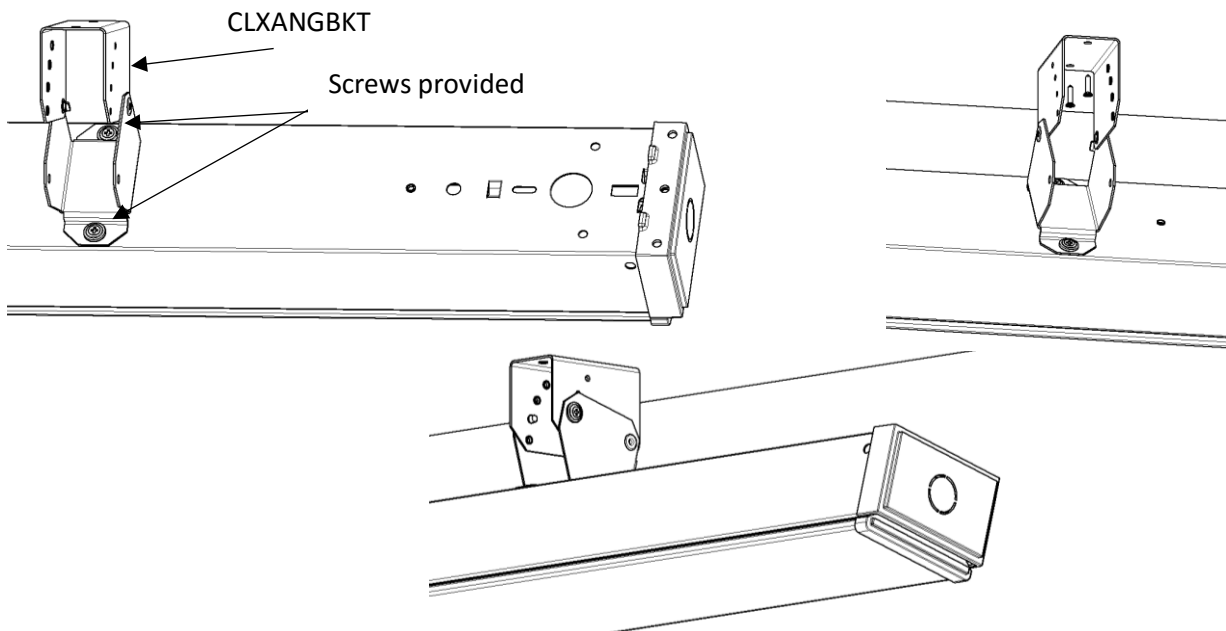
Wireguard (WGCLX)/Louver (SBL)

- 1) Install accessory brackets to the top of the fixture with two screws provided.
- 2) Install Louver or Wireguard to Accessory bracket using four screws provided.



Angle Bracket (CLXANGBKT)

- 1) Attach fixture to angle mounting bracket using screws provided
- 2) Attach Angle brackets to ceiling (hardware not provided)
- 3) Choose desired angle (0, 15, 30, or 45 degrees) and fix mounting bracket into angle position using two screws provided



Warranty terms are located at the link below:
<http://www.acuitybrands.com/resources/terms-and-conditions>