

Operating Instructions 160DRG and 167DRG Insulated Cap with Ground Lead

CONTENTS: Insulated Cap with Ground Lead, Lubricant, Operating instructions.

The 160DRG(3) and 167DRG(3) are designed for insulating, shielding and watersealing any ELASTIMOLD 15kV class (8.3kV phase-to-ground and 14.4kV phase-to-phase) loadbreak bushing interface.

DANGER

All apparatus must be de-energized during installation or removal of part(s) except for test point caps and indicators that can be installed and operated energized.

After installation loadbreak products can be operated energized per operating instructions. All deadbreak connectors must be de-energized before operating.

All apparatus must be installed and operated in accordance with individual user, local, and national work rules. These instructions do not attempt to provide for every possible contingency.

Do not touch or move energized products.

“Loadbreak connectors must be operated with a full insulated “hotstick” type live-line tool.” Consult the company’s safe work practices for the required live-line tool length.

FOR MORE INFORMATION ON PARTS, INSTALLATION RATINGS AND COMPATIBILITY, CALL THE NEAREST ELASTIMOLD OFFICE.

Excess distortion of the assembled product may result in its failure.

Inspect parts for damage, rating and compatibility with mating parts.

This product should be installed only by competent personnel trained in good safety practices involving high voltage electrical equipment. These instructions are not intended as a substitute for adequate training or experience in such safety practices.

Failure to follow these instructions will result in damage to the product and serious or fatal injury.

If this product is supplied with a protective shipping cover(s), remove this shipping cover(s) and replace with the appropriate HV insulated cap(s) or connector(s) before submerging or energizing the circuit.

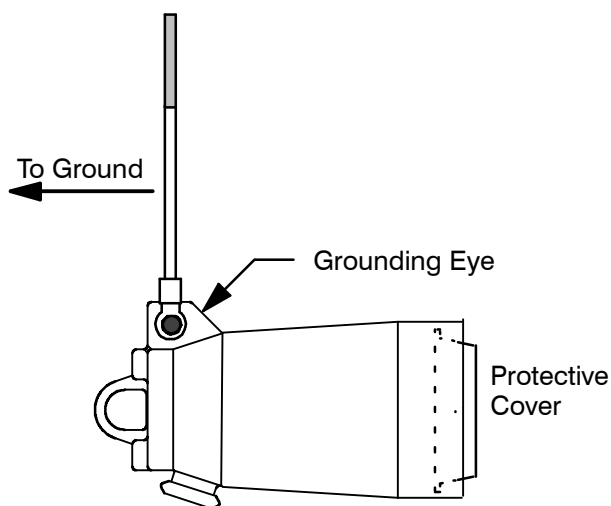
IMPORTANT

1. Check contents of package to ensure they are complete and undamaged.
2. Check all components to ensure proper fit with cable and/or mating products.
3. Read entire installation instructions before starting.
4. Have all required tools at hand and maintain cleanliness throughout the procedure.

STEP 1

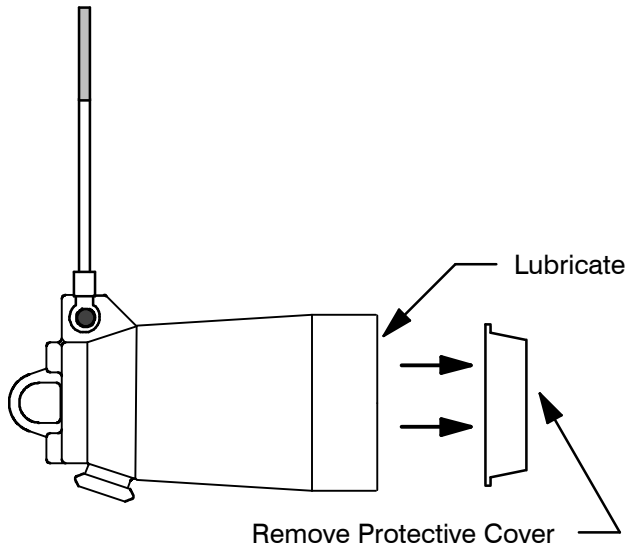
Connect free end of electrostatic grounding wire to the system ground, leaving enough slack for hot-stick operation of the insulated cap. **CAUTION:** The electrostatic grounding wire should be trained so as not to contact the bushing interface during operation.

WARNING: IF THE GROUND LEAD DISCONNECTS DURING OPERATION, DO NOT ATTEMPT TO REATTACH WITHOUT FIRST PULLING INSULATED CAP OFF THE BUSHING WITH THE HOTSTICK.



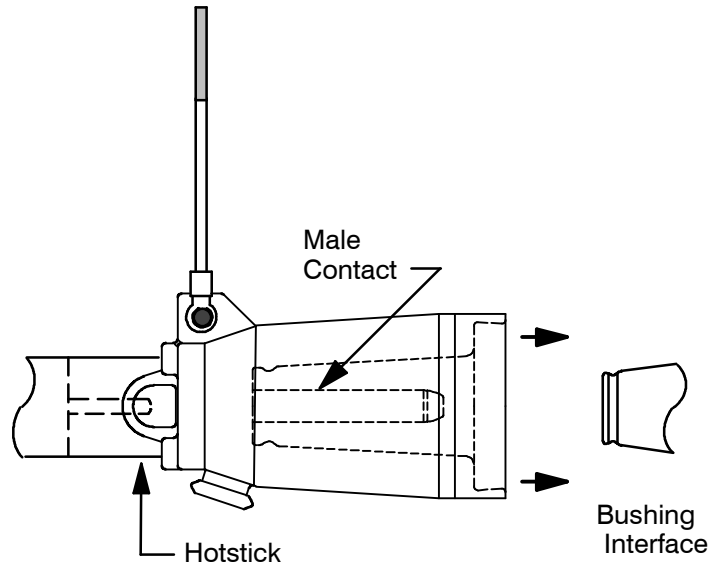
STEP 2

Remove protective cover from the insulated cap and lubricate the cap's internal mating surface. Use only the supplied lubricant or ELASTIMOLD approved lubricants. **DO NOT SUBSTITUTE.** Other lubricants may be harmful to this product and its mating products. Keep the internal mating surface free from dirt and grime. Always replace protective cover when not in use.



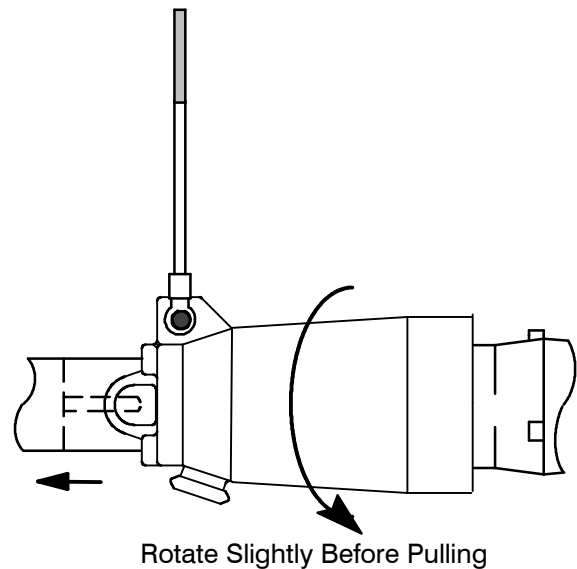
STEP 3

Firmly attach hotstick to the insulated cap pulling eye. Insert the male contact of the insulated cap into the loadbreak bushing, and push home with a fast, firm, straight motion. Make certain it is fully mated, with the locking ring seated. Detach hotstick from the insulated cap.



STEP 4

To remove. Attach hot-stick to pulling eye. Before pulling rotate insulated cap clockwise while in the mated position to break surface friction. Pull receptacle off with a fast, firm, straight motion to complete the operation. Remove electrostatic grounding wire of the insulated cap from the system ground. Replace protective cover on insulated cap to keep its internal surface clean.



Thomas & Betts

8155 T&B Boulevard, Memphis, Tennessee 38125
(800) 888-0211 Fax: (800) 888-0690