

Remote Heads

Installation instructions

WARNING:
Risk of Shock.
Disconnect Power before Installation.

IMPORTANT SAFEGUARDS

When using electrical equipment, basic safety precautions should always be followed including the following:

READ AND FOLLOW ALL SAFETY INSTRUCTIONS

1. All servicing should be performed by qualified service personnel.
2. All unused wires must be insulated to prevent shorting.
3. Do not use outdoors.
4. Do not let power supply cords touch hot surfaces.
5. Do not mount near gas or electric heaters.
6. Equipment should be mounted in locations and at heights where it will not readily be subjected to tampering by unauthorized personnel.
7. The use of accessory equipment not recommended by the manufacturer may cause an unsafe condition.
8. Do not use this equipment for other than its intended use.
9. Units to be installed only as per configuration described in this instruction manual.

SAVE THESE INSTRUCTIONS

Installation instructions (Figure 1)

IMPORTANT: Install fixture/lamp type combination no higher than the maximum mounting heights as stipulated in the "Lamp Mounting Height Cross-reference Table" (P/N 750.1924). Refer to "Technical Information" section of our website.

Note: Lamp heads may already be attached to the canopy.

1. Determine the final position for the lamp heads.
2. Look for the mark on the threaded portion of the swivel to find the center of rotation for the lamp head.
3. Insert the square surface from the swivel into the square hole on the canopy ensuring that the center of rotation is as close as possible to the final position. Secure the lamp head in place with the lock washer and nut provided.
4. Adjust the heads into there final position.
5. Install the spider plate to the junction box using the junction box screws.
6. Make the proper connections. The fixture is designed for 6, 12 or 24 VDC (see the lamp voltage indicated on the inside surface of the canopy). Connect the lamp wires to the DC supply wires.
7. Use the canopy screws to fix the canopy to the spider plate.

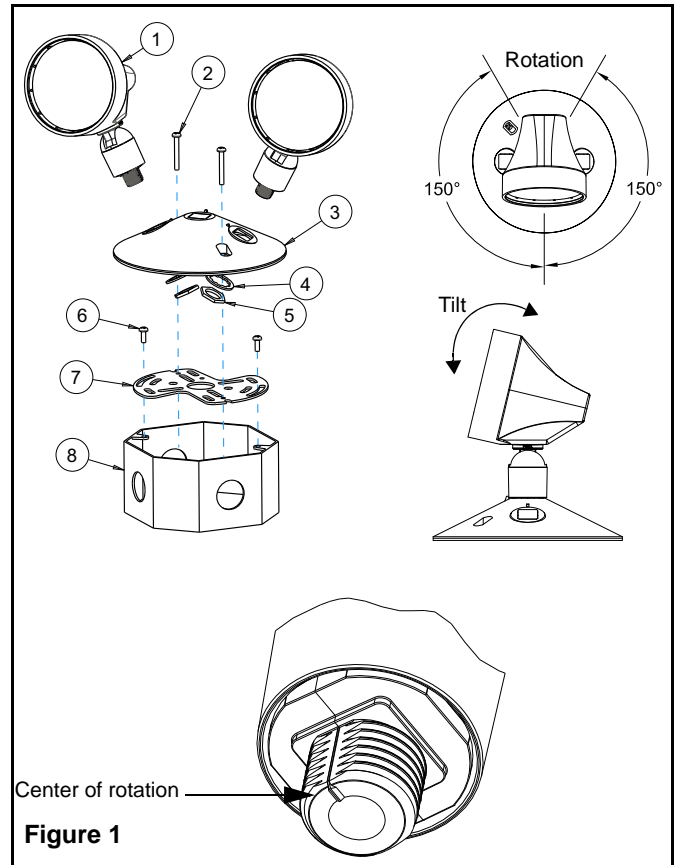


Figure 1

**** FIXTURE MODEL MAY BE DIFFERENT THAN SHOWN****

Parts List

1. Lamp heads (2 or 3)
2. Canopy screws
3. Canopy
4. Lock washer
5. Nut
6. Junction box screws (not provided)
7. Spider plate
8. Junction box (not provided)

Adjust the lamp head:

Rotation: hold the lamp head and turn it to either side.

-Note: The lamp head can be rotated 150° to either side.

Tilting: hold the lamp head and tilt it up or down.

The lamp head uses a ratchet type mechanism that moves it in 10 degree increments (see fig. 1).

Warranty: For the complete warranty information, please refer to the landing page of our website (<http://www.emergi-lite.com/usa/>).