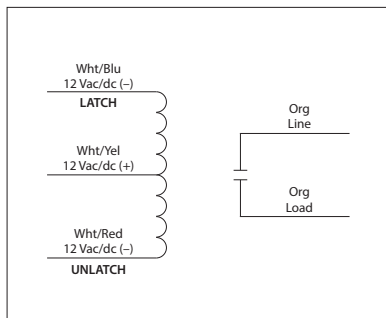


LATCHING RELAYS

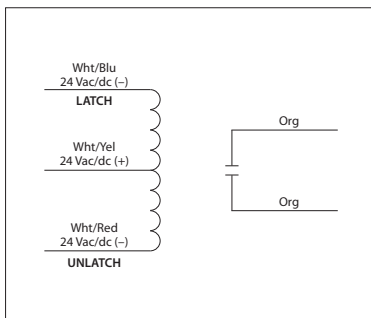
RIBL12B

Enclosed Mechanically Latching Relay 20 Amp SPST with 12 Vac/dc Coil



RIBL24B

Enclosed Mechanically Latching Relay 20 Amp SPST with 24 Vac/dc Coil



RIBL12B-RD
RIBL24B-RD
• Red housing



RIBL12B-N4
RIBL24B-N4
• NEMA 4X housing

RELAYS

SPECIFICATIONS

- # Relays & Contact Type:** One (1) SPST Latching Relay, Dual Coil
- Expected Relay Life:** 1 million cycles minimum mechanical
- Operating Temperature:** -30 to 140° F
- Humidity Range:** 5 to 95% (noncondensing)
- Operate Time:** 50ms
- Maximum Pulse Length:** 30 seconds
- Contact Closed:**
 - Dimensions:** 1.70" x 2.80" x 1.50" with .50" NPT Nipple
 - Wires:** 16", 600V Rated
 - Approvals:** UL Listed, UL60947, C-UL, CE, RoHS
 - Housing Rating:** UL Accepted for Use in Plenum, NEMA 1
 - Gold Flash:** No

- Contact Ratings:**
 - 20 Amp Resistive @ 120-277 Vac
 - 20 Amp Ballast @ 120-277 Vac
 - 16 Amp Electronic Ballast @ 120-277 Vac
 - 5540 Watt Tungsten @ 277 Vac
 - 720 VA Pilot Duty @ 120-277 Vac
 - 2 HP @ 277 Vac
 - 3 HP @ 240 Vac
 - 1.5 HP @ 120 Vac

- | | |
|------------------------------|------------------------------|
| RIBL12B Coil Current: | RIBL24B Coil Current: |
| 182 mA @ 10 Vac | 175 mA @ 20 Vac |
| 250 mA @ 12 Vac | 210 mA @ 24 Vac |
| 165 mA @ 10 Vdc | 92 mA @ 20 Vdc |
| 198 mA @ 12 Vdc | 110 mA @ 24 Vdc |
| 250 mA @ 15 Vdc | 138 mA @ 30 Vdc |
| Latch / Unlatch: | |
| Min. 10 Vdc / 11 Vac | |

- Notes:**
 - Application of voltage on latch coil (Wht/Blu & Wht/Yel) will close the contact.
 - Application of voltage on unlatch coil (Wht/Red & Wht/Yel) will open the contact.
 - Voltage should not be applied to the coil for more than 30 seconds.