



Optanium T8 Programmed Start

OPTANIUM IOP4PSP32LWSC35M

Philips Advance Optanium high-efficiency electronic ballasts are engineered to optimize lighting performance and maximize energy savings. These ballasts provide an unparalleled package of features and benefits to support the wide variety of T8 fluorescent lamps out in the market place.

Product data

| General Information | |
|-------------------------------|------------------------|
| Lamp Type | F32T8 |
| Number Of Lamps | 3/4 piece/unit |
| Ballast Type | Electronic Fluorescent |
| Base Model | IOP4PSP32LWSC |
| Suitable For Outdoor Use | Yes |
| Automatic Restart | Yes |
| Operating and Electrical | |
| Input Voltage | 120 to 277 V |
| Input Frequency | 50 to 60 Hz |
| Total Harmonic Distortion USA | 10 % |
| Power (Rated) (Nom) | 32 W |
| Ignition Method | Programmed Start |
| Cresifactor (Nom) | 1.6 |
| Ignition Time (Nom) | 1.5 s |
| Ballast Factor (Nom) | 0.71 |
| Power Factor (Nom) | 0.98 |
| Input Current (Max) | 0.78 A |

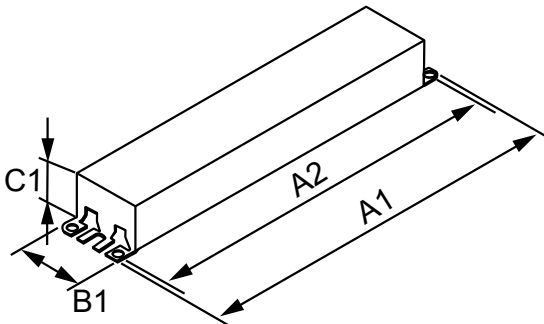
| Input Current (Min) | 0.33 A |
|--|----------------|
| Input Power (Nom) | 94-93 W |
| Rated Lamp Power | 32W W |
| Wiring | |
| Color Input Terminals | No terminals |
| Color Output Terminals | No terminals |
| Wire Striplength | 0.50/0.375 mm |
| Lamp Connection | Parallel |
| Wire Length By Color | See data sheet |
| Wire Gauge (Nom) | 18AWG mm |
| Wire Type | Solid |
| Remote Wiring Configuration Allowed | Yes |
| Tandem Wiring Configuration Allowed | Yes |
| Through Wiring Configuration Allowed | Yes |
| Max Ballast-Lamp Distance Remote Wiring | 20' |
| Max Ballast-Lamp Distance Tandem Wiring | Any = 20' |
| Max Ballast-Lamp Distance Through Wiring | Any = 20' |

Optanium T8 Programmed Start

| | |
|---------------------------------|---|
| Connector Type | No connector |
| Temperature | |
| T-Case Maximum (Nom) | 70 °C |
| Mechanical and Housing | |
| Housing Material | Metal |
| Housing | SC |
| Housing Dimensions | 9.5" x 1.7" x 1.18" |
| Approval and Application | |
| EMC Immunity Standard | FCC Non-Consumer |
| Approval Marks | CSA certificate UL certificate CEC Listing CEE Rated NEMA Premium RoHS Compliant |

| | |
|---------------------------------|---------------------------|
| Hum And Noise Level | A |
| UL Recognized | No |
| Product Data | |
| Order product name | OPTANIUM IOP4PSP32LWSC35M |
| EAN/UPC - Product | 781087081747 |
| Order code | 913710894502 |
| Numerator - Quantity Per Pack | 1 |
| Numerator - Packs per outer box | 20 |
| Material Nr. (12NC) | 913710894502 |
| Net Weight (Piece) | 613.000 g |

Dimensional drawing



ELE BALLAST (4) F32T8 120-277V

| Product | A1 | A2 | B1 | C1 |
|---------------------------|--------|---------|--------|---------|
| OPTANIUM IOP4PSP32LWSC35M | 9.5 in | 8.90 in | 1.7 in | 1.18 in |

