

# 13451-N

# Lampholders



UPC Code: 07847785440

Country of Origin: Please Contact Customer Service

### Item Description

Medium Base, T8 Only Bi-Pin, Standard Fluorescent Lampholder, Low Profile, Screw Mount, Straight-In Double Edge, , Quick-Connect 18AWG Solid or Str. Tinned - White Captive Nut Screws Packed Bulk

### Technical Information

#### Electrical Specifications

**Voltage:** 600 Volt  
**Rated Wattage:** 660W

#### Material Specifications

**Body Material:** Thermoset  
**Contact Material:** Copper-Alloy  
**Nut:** 6-32 Zinc-Plated  
**Screw:** 6-32 X 3/8 Zinc-Plated  
**Color:** White  
**Availability:** Distribution

#### Mechanical Specifications

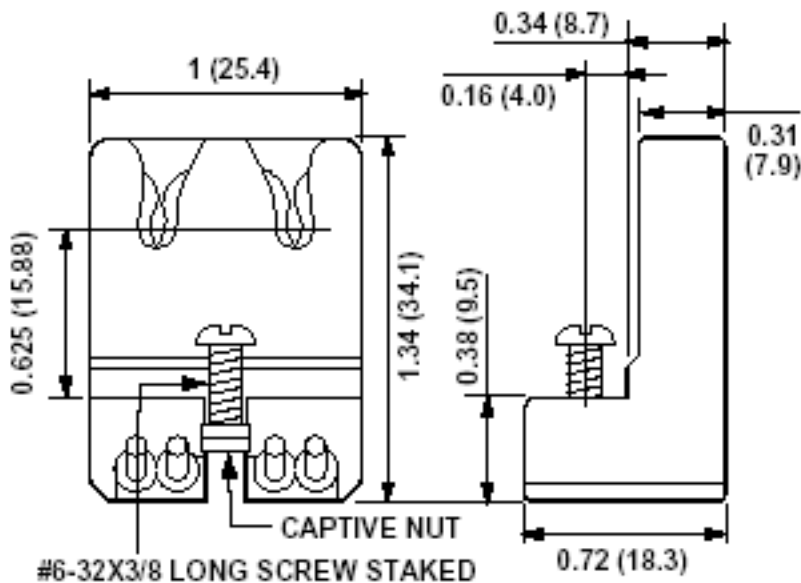
**Mounting Type:** Screw Mount  
**Contact Type:** Straight-In Double Edge  
**Termination:** Quick-Connect 18AWG Solid or Str. Tinned  
**Wire Strip Length:** 3/8 Inch

#### Product Features

**Lamp Base:** Medium  
**Lamp Contacts:** Bi-Pin  
**Style Name:** Low Profile  
**Mounting Type:** Screw Mount  
**Contact Type:** Straight-In Double Edge  
**Lamp Type:** T8 Only  
**Termination:** Quick-Connect 18AWG Solid or Str. Tinned  
**Rated Wattage:** 660W  
**Color:** White  
**Standards and Certifications:** UL/CSA/NOM  
**Warranty:** 1 Year Limited  
**Notes:** Captive Nut Screws Packed Bulk  
**Availability:** Distribution

#### Standards and Certifications

**UL Listed:** File E5833  
**CSA Certified:** File LR-5863  
**NOM Certified:** 057



**SPECIFICATION SUBMITTAL**

<b>JOB NAME:</b> <input type="text"/>	<b>CATALOG NUMBERS:</b> <input type="text"/>	
<b>JOB NUMBER:</b> <input type="text"/>	<input type="text"/>	<input type="text"/>

**Leviton Manufacturing Co., Inc.**  
201 North Service Road, Melville, NY 11747  
Telephone: 1-800-323-8920 · FAX: 1-800-832-9538 · Tech Line (8:30AM-7:30PM E.S.T. Monday-Friday): 1-800-824-3005

**Leviton Manufacturing of Canada, Ltd.**  
165 Hymus Boulevard, Pointe Claire, Quebec H9R 1E9 · Telephone: 1-800-469-7890 ·  
FAX: 1-800-824-3005 · [www.leviton.com/canada](http://www.leviton.com/canada)

**Leviton S. de R.L. de C.V.**  
Lago Tana 43, Mexico DF, Mexico CP 11290 · Tel.: (+52)55-5082-1040 · FAX: (+52)5386-1797 · [www.leviton.com.mx](http://www.leviton.com.mx)

**Visit our Website at: [www.leviton.com](http://www.leviton.com)**  
© 2012-2017 Leviton Manufacturing Co., Inc. All rights reserved. Subject to change without notice.

**Leviton has a global presence.**  
If you would like to know where your local Leviton office is located please go to: [www.leviton.com/international/contacts/](http://www.leviton.com/international/contacts/)

