



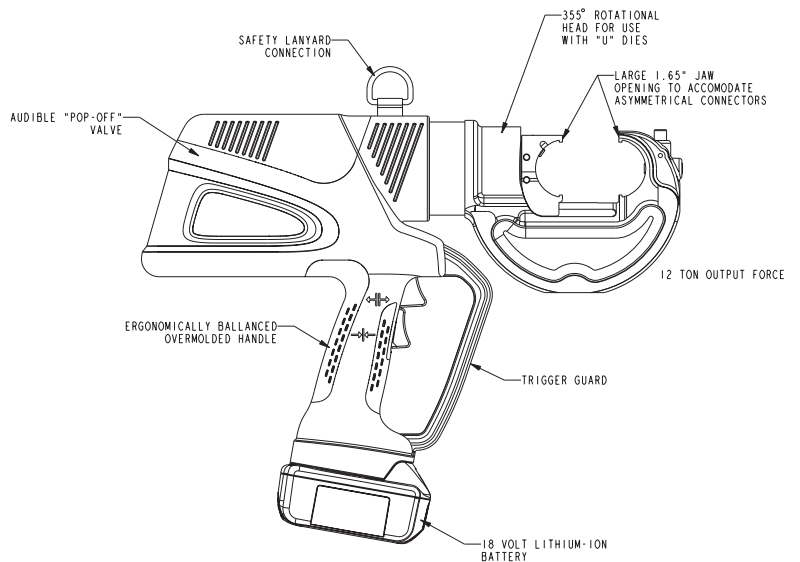
PATRIOT® HIGH PERFORMANCE PAT750-LI

18 Volt Lithium-Ion Battery Actuated Tool

Hydraulic Self-Contained
12 Ton Crimping Tool

Specifications:

Output Force: 12 tons (10.9 metric tons)
 Tool Weight: 15.7 lbs (7.12 kg)
 including battery
 Length: 15.75" (40 cm)
 Width: 3.5" (8.89 cm)
 Height: 13.5" (34.29 cm)
 Operating Voltage: 18 V-DC
 Recharge Time: 30 minutes



Accessories:

Battery Cat # **BAT18VLI**
Hi-capacity (3.0 AH)

Charger Cat # **PATCHGR-LI**
120V-AC Cat # **PATCHGR-LIDC**
12/24V-DC Cat # **PATCHGR-LI250V**
240/250V-AC

Lanyard Cat # **PT208620**

For Use On:

Tension Sleeves

Copper #8 sol - 500 kcmil
 Aluminum #8 sol - 556.5 kcmil
 ACSR #4 - 556.5 kcmil

Taps

Copper #14 sol - 500 kcmil
 Aluminum #8 - 500 kcmil

Aerial Cable

Copper #6 - 500 kcmil

Terminals/Splices

Copper #8 - 750 kcmil
 Aluminum #8 - 750 kcmil
 ACSR #4 - 556 kcmil

HYGROUND®

Copper #8 - 500 kcmil
 Ground Rods 1/2" - 1" diameter