

Carlon®

Rigid Non-Metallic Conduit Fittings & Accessories T&B Catalog Number:



E977EC
03448106942
Active

UPC Number:
Status:
Description:

Conduit Clamp, Size 3/4 Inch, Length 2.40 Inches, Width 0.50 Inches, Height 1.255 Inches, Material PVC, Color Gray

Features

Non-metallic clamps offer the same chemical resistance as Carlon non-metallic conduits for a complete, corrosion resistant system.

Application

UV inhibited for use in direct sunlight.

General

Trade Size (inches) 3/4
Material Non-Metallic

Dimension Information

A (mm)	27.9
B (mm)	50
E (mm)	3.5
C (mm)	60.9
D (mm)	12.7
F (mm)	13.3
A (inches)	1.102
B (inches)	1.97
C (inches)	2.4
D (inches)	0.5
E (inches)	0.14
F (inches)	0.525
G (inches)	1.076
H (inches)	1.255
H (mm)	31.8
J (inches)	0.26
Size (mm)	21

Packaging

T&B Order Multiple	100
Package in Units	100
T&B Sold in UOM	Each
T&B Weight Per UOM	0.02 lbs. Each

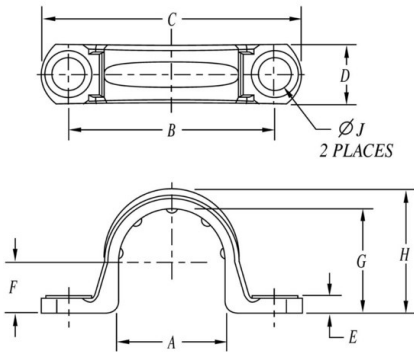
Application Support

T&B Sales Drawings	wsd-ac03405
Specifications & Applications	Available on Website

Notes

To be used in accordance with conduit spacing requirements per NEC, Section 352.30

Certifications



RoHS Compliance

Yes

For further technical assistance, please contact us...

Thomas & Betts - USA
8155 T&B Blvd.
Memphis, TN 38125
www.tnb.com

T&B Technical Support
MS 3B-50
8155 T&B Blvd.
Memphis, TN 38125

Hours: 7AM - 6PM CDT
Monday-Friday
Phone: (888) 862-3289
Fax: (901) 252-1321
Email: techsupport@tnb.com