

Carlon®

Rigid Non-Metallic Conduit Fittings & Accessories T&B Catalog Number:



UPC Number:
Status:
Description:

E977FC
03448106943
Active

Conduit Clamp, Size 1 Inch, Length 2.81 Inches, Width 0.594 Inches, Height 1.574 Inches, Material PVC, Color Gray, Pack of 100

Features

Non-metallic clamps offer the same chemical resistance as Carlon non-metallic conduits for a complete, corrosion resistant system.

Application

UV inhibited for use in direct sunlight.

General

Trade Size (inches) 1
Material Non-Metallic

Dimension Information

A (mm)	35.3
B (mm)	57.1
E (mm)	3.5
C (mm)	71.3
D (mm)	15
F (mm)	16.7
A (inches)	1.39
B (inches)	2.23
C (inches)	2.81
D (inches)	0.594
E (inches)	0.14
F (inches)	0.658
G (inches)	1.342
H (inches)	1.574
H (mm)	39.9
J (inches)	0.26
Size (mm)	27

Packaging

T&B Order Multiple	100
Package in Units	100
T&B Sold in UOM	Each
T&B Weight Per UOM	0.02 lbs. Each

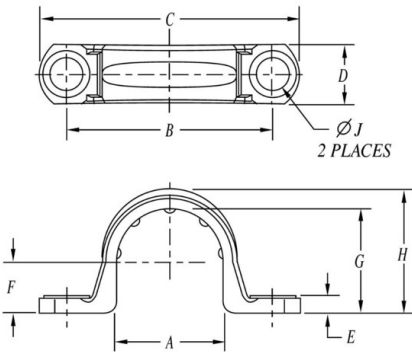
Application Support

T&B Sales Drawings	wsd-ac03405
Specifications & Applications	Available on Website

Notes

To be used in accordance with conduit spacing requirements per NEC, Section 352.30

Certifications



RoHS Compliance

Yes

For further technical assistance, please contact us...

Thomas & Betts - USA
8155 T&B Blvd.
Memphis, TN 38125
www.tnb.com

T&B Technical Support
MS 3B-50
8155 T&B Blvd.
Memphis, TN 38125

Hours: 7AM - 6PM CDT
Monday-Friday
Phone: (888) 862-3289
Fax: (901) 252-1321
Email: techsupport@tnb.com