

FEATURES

INTENDED USE

Specification grade emergency ballast to operate one or two lamps (4' or shorter) or one 8' lamp. Factory or field installed inside or outside (field only) fluorescent fixture to operate lamp(s) at a reduced light output, providing optimum glare-free illumination for a minimum of 90 minutes upon interruption of normal power.

CONSTRUCTION

Black, 20-gauge steel, permanently-sealed housing. Housing provides extra room for wire routing in ballast channel.

Dual-voltage input capability (120V or 277V).

Polarized quick-connect pilot light/test switch assembly simplifies installation.

Patent pending integrated test switch pilot light that requires only one-hole drilling.

PERFORMANCE

Operates one or two 2' - 4' fluorescent T8 - T12 lamps, one 2' - 4' fluorescent HO, VHO, long compact (biax) or one 6' - 8' fluorescent (T8 -T12) for 90 minutes. Compatible with electronic, rapid start, instant start, slimline, pre-heat or trigger start ballast in standard or energy-saving configurations.

Protects against partial or isolated power outages. Low-glare, shadow-free illumination provides excellent visibility for safe building evacuation.

Unit wires two ways: on night light circuit (permanently energized) or on switchable circuit (unswitched circuit to battery pack and switched circuit to fixture ballast). Unit will strike *normally off* lamp.

BATTERY

Sealed, maintenance-free, high-temperature nickel-cadmium battery. Ensures long life over a wide range of temperatures. 24-hour battery recharge after 90-minute discharge.

External battery connectors allows battery pack to be disabled for maintenance and installation.

Pilot light and test switch provide visual and manual means of monitoring system operation.

ELECTRONIC

Constant-current series resistor-type charger. Capacitive input circuit provides high efficiency and reliable operation.

High-efficiency push-pull inverter is the most effective method of converting DC power to AC power. It provides maximum light output, battery life and reliability.

INSTALLATION

Mounts concealed within fixture wireway for clean appearance and protection against vandalism; or mounts on outside of fixture housing if internal space is limited. Two 1/2" holes in fixture channel permit mounting of test switch/pilot light behind fixture lens.

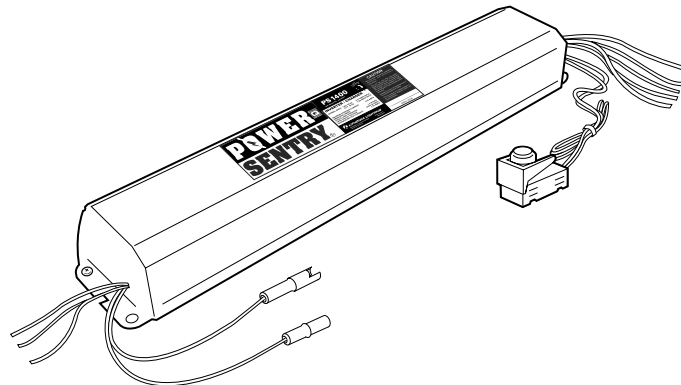
External mounting requires two accessory kits ELA PSMK or factory option MK. Kit adds 6" maximum to overall length.

Unique size (13-5/16" L x 2-3/8" W x 1-5/8" H) fits a variety of fluorescent troffers, industrials, commercials and strips.

Catalog Number	
Notes	Type

Fluorescent Battery Packs

PS1400



LISTING

UL listed. Meets UL 924, NFPA 101 (current Life Safety Code), NEC and OSHA illumination standards.

Standard unit is UL approved for installation in sealed and gasketed fixtures. DW option is UL approved for installation in wet and damp location listed fixtures. (Note: DW option does not make the battery pack suitable for mounting outside the fixture in a wet location application.)

WARRANTY

Three-year total customer satisfaction warranty. (For complete details, see warranty sheet in Product Selection Guide.)

ORDERING INFORMATION

Example: **PS1400**

Choose the boldface catalog nomenclature that best suits your needs and write it on the appropriate line. Order accessories as separate catalog number.

PS1400	
Designation	Options
PS1400 Battery pack	MK External mounting kit
	DW UL approved for use in wet and damp location listed fixtures 0-50°C (32-122°F).
	120V 50Hz 120V, 50Hz input
	220V 50Hz 220 or 240V, 50Hz input
	240V 60Hz 240V, 60Hz input
	SD Self-diagnostics ¹

NOTE:

¹ Self-diagnostics (PSSD) module ships with fluorescent battery pack. See PSSD Inverter Accessories specification sheet for details on self-diagnostics module.

Accessories*

Order as separate item.

ELA TSPLP	Remote or replacement test switch pilot light; mounts up to 25' away from fixture
ELA TSPLPSD	Remote or replacement test switch pilot light for self-diagnostics; mounts up to 25' away from fixture
ELA PSMK	External mounting kit; two required
ELA PSMKSD	External mounting kit for self-diagnostics module
ELA PSRME	Remote mounting enclosure
PSSD	Field-installable self-diagnostics module

* See Inverter Accessories specification sheets for details on other compatible devices.

PS1400 Fluorescent Battery Packs

SPECIFICATIONS

BATTERY

Sealed Nickel-Cadmium

Voltage	Shelf life ¹	Expected life ¹	Maintenance	Optimum temperature ²
6.0	3 years	10 years	none ³	32–100°F

Notes:

- At 77°F.
- Optimum ambient temperature range where unit will provide capacity for 90 minutes. Higher and lower temperatures affect life and capacity. Consult factory for detailed information. Damp location models are UL listed 0-50°C (32-122°F).
- Periodic system status test recommended.

ELECTRICAL

Volts	Maximum AC input	
	Amps	Watts
120	.27	3.3
277	.25	3.2

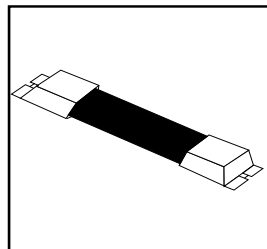
LAMP COMPATIBILITY

Lamp Type	Wattage	Emergency Operation
24" - 48" T5	14 - 28	■
24" - 48" T5HO	24 - 54	■
U-Lamp T8	16 - 31	■ ●
24" - 48" T8	17 - 32	■ ●
60" - 96" T8	40 - 59	■
Circline T9	20 - 40	■
U-Lamp T12	34 - 40	■ ●
24" - 48" T12	20 - 40	■ ●
60" - 96" T12	50 - 75	■
24" - 48" HO T12	35 - 60	■
60" - 96" HO T12	70 - 110	■
24" - 48" VHO T12	74 - 115	■
60" - 96" VHO T12	135 - 215	■
Twin-Tube (4-pin)	9 - 13	■
Quad-Tube (4-pin)	13 - 26	■
Twin-Tube (4-pin)	18 - 55	■
Triple-Tube (4-pin)	18 - 32	■ ●
Triple -Tube (4-pin)	42	■
2D	28-38	■

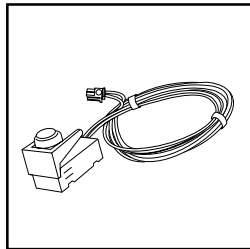
■ One-lamp emergency operation for 1 - 4 lamp ballasts.

● Two-lamp emergency operation for 2 - 4 lamp ballasts.

KEY FEATURES



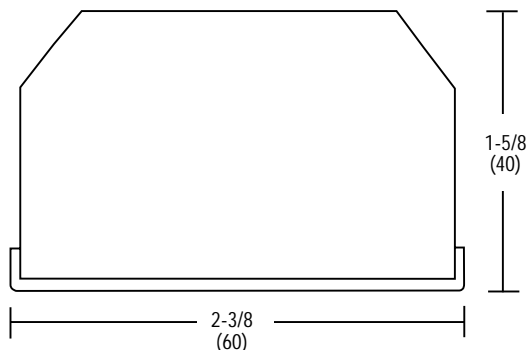
External fixture mounting
ELA PSMK or factory option MK
(two required)



Polarized quick-connect

MOUNTING

All dimensions are inches (millimeters).



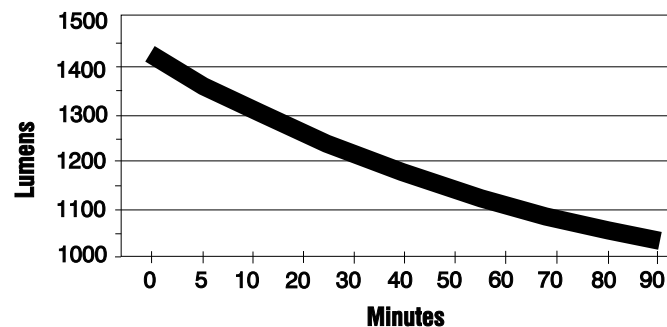
Cross section end view

Length: 13-5/16 (338mm)

Shipping weight: 4 lbs. (2.3 kgs.)

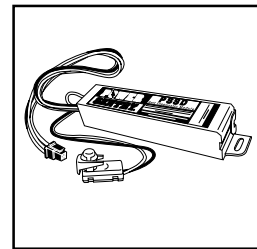
PERFORMANCE

Emergency Lamp Lumen Output



Light output data based on F032T8 lamps. Light output for other lamp and ballast types will vary. Luminaire efficiency and application conditions must be determined to calculate actual illuminance levels. Consult a Lithonia Lighting representative for further information.

KEY OPTIONS



Self-diagnostics module



An AcuityBrands Company

Available from www.goodmart.com

Lithonia Lighting
Acuity Lighting Group, Inc.
Emergency Lighting Systems