

Liquidtight Flexible Non-Metallic Conduit & Fittings

T&B Catalog Number:

LT20E-NEW

UPC Number:

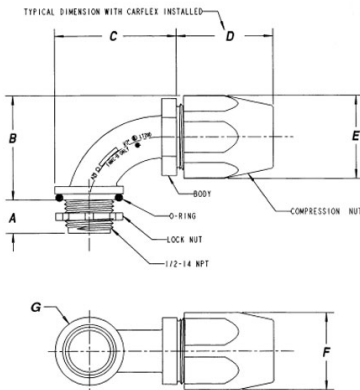
03448108786

Status:

Active

Description:

3/4 Inch 90 Degree Liquidtight Non-metallic Fitting



Features

- Non-conductive and non-corrosive.
- Resistant to oil, acid, ozone and alkaline.
- Easy to install.
- Approved for indoor and outdoor locations
- UL listed for wet locations
- Nitrile rubber 'O' ring for a liquidtight termination.
- Temperatures up to 225 degree F (107 degree C)
- Meets UL standard 514B.

Application

For use with Carflex conduit and Carflex X-Flex conduit.

General

| | |
|---------------------|--------------|
| Trade Size (inches) | 3/4 |
| Material | Non-Metallic |

Dimension Information

| | |
|----------------|------|
| Size (inches) | 3/4 |
| Degree of Bend | 90 |
| A (inches) | 0.56 |
| B (inches) | 2.04 |
| C (inches) | 2.35 |
| D (inches) | 1.88 |
| E (inches) | 1.71 |
| F (inches) | 1.61 |
| G (inches) | 1.5 |

Packaging

| | |
|--------------------|-------------------|
| T&B Order Multiple | 50 |
| Package in Units | 50 |
| T&B Sold in UOM | Each |
| T&B Weight Per UOM | 13.5 lbs. per 100 |

Application Support

| | |
|--|-------------|
| T&B Sales Drawings | wsd-ac01708 |
| Product Overview-Carflex Liquidtight Flex-Available on Website | |
| ible Tubing | |

Certifications

| | |
|-----------------|-----|
| RoHS Compliance | Yes |
|-----------------|-----|

Certifications



File Nbr:
E 32447

For further technical assistance, please contact us...

Thomas & Betts - USA
8155 T&B Blvd.
Memphis, TN 38125
www.tnb.com

T&B Technical Support
MS 3B-50
8155 T&B Blvd.
Memphis, TN 38125

Hours: 7AM - 6PM CDT
Monday-Friday
Phone: (888) 862-3289
Fax: (901) 252-1321
Email: techsupport@tnb.com