

## 2520

20 Amp, 277/480 Volt 3-Phase Y, NEMA L22-20R, 4P, 5W, Flush Mtg Locking Receptacle, Industrial Grade, Grounding, V-0-MAX - BLACK



UPC Code : 078477077245

Country Of Origin : Mexico



Leviton's Industrial Grade Locking Devices are built to provide unparalleled quality and superior performance in the most severe industrial settings. Leviton combines the best materials available with superior production standards to produce a broad selection of Locking Devices of unmatched flexibility and dependability.

### Technical Information

#### AC Horsepower Ratings

**At Rated Voltage** : 5 HP

#### Electrical Specifications

**Amperage** : 20 A

**Current Limiting** : Full Rated Current

**Dielectric Voltage** : Withstands 2000V per UL498

**Grounding** : Grounding

**Phase** : 3-Phase WYE

**Pole** : 4

**Temperature Rise** : Max 30C after 250 cycles OL at 200 percent rated current

**Voltage** : 277/480 VAC

**Wire** : 5

#### Environmental Specifications

**Environment** : Corrosive

**Flammability** : Rated V-0 per UL 94

**Operating Temperature** : -40°C to 60°C

#### Material Specifications

**Base Material** : Nylon

**Body Material** : Nylon

**Clamp Nuts** : Nickel-Plated Brass

**Color** : Black

**Cover Material** : Valox 357

**Face Material** : Nylon

**Ground Contacts** : Brass

**Grounding Screw** : Chromated Brass

**Line Contacts** : Brass

**Strap Material** : Nickel-Plated Brass

**Terminal Clamps** : Nickel-Plated Brass

**Terminal Screws** : Chromated Brass

#### Mechanical Specifications

**Product ID** : Ratings and NEMA I.D. permanently marked on device

**Terminal Accom.** : 14-8 AWG

**Terminal ID** : Marked on Device

**Termination** : Back & Side

#### Product Features

**Base Material** : Nylon

**Brand** : V-0-Max

**Color** : Black

**Device Type** : Locking Receptacle

**Face Material** : Nylon

**NEMA** : L22-20R

**Warranty** : Lifetime Limited

#### Standards and Certifications

**ANSI** : C-73

**CSA** : C22.2 No. 42

**NEMA** : WD-1 & WD-6

**NOM** : 057

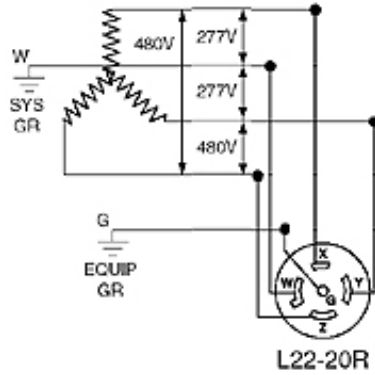
**UL** : 498

**UL Fed Spec** : W-C-596

#### Warranty

**Warranty** : Lifetime Limited

## Wiring Diagram



### SPECIFICATION SUBMITTAL

JOB NAME: <input style="width: 95%;" type="text"/>	CATALOG NUMBERS: <input style="width: 95%;" type="text"/>
JOB NUMBER: <input style="width: 95%;" type="text"/>	<input style="width: 95%;" type="text"/>

**Leviton Manufacturing Co., Inc.**

201 North Service Road, Melville, NY 11747

Telephone: +1-800-323-8920 · FAX: +1-800-832-9538 · Tech Line (8:30AM-7:30PM E.S.T. Monday-Friday):

+1-800-824-3005

**Leviton Manufacturing of Canada, Ltd.**

165 Hymus Boulevard, Pointe Claire, Quebec H9R 1E9 · Telephone: +1-800-469-7890 ·

FAX: +1-800-824-3005 · [www.leviton.com/canada](http://www.leviton.com/canada)

**Leviton S. de R.L. de C.V.**

Lago Tana 43, Mexico DF, Mexico CP 11290 · Tel.: (+52)55-5082-1040 · FAX: (+52)5386-

1797 · [www.leviton.com.mx](http://www.leviton.com.mx)

Visit our Website at: [www.leviton.com](http://www.leviton.com)

© 2018 Leviton Manufacturing Co., Inc. All Rights Reserved. Subject to change without notice.

**Leviton has a global presence.**

If you would like to know where your local Leviton office is located please go to:

[www.leviton.com/international/contacts/](http://www.leviton.com/international/contacts/)

