



PAR20 Dimmable LED Lamps with AirFlux Technology

8PAR20/END/F25 2700 DIM 6/1

Philips PAR20 Dimmable LED Lamps with AirFlux Technology provide optimal thermal efficiency in a sleek, lightweight design.

Product data

• General Characteristics

Cap-Base	E26
Bulb	PAR20 [PAR20 mm]
Rated Avg. Life (Hours)	45000 hr
Rated Lifetime (years)	41.1 an

• Light Technical Characteristics

Color Code	WW
Color Designation	Warm White
Beam Angle	25 D
Beam Description	25D [Medium beam]
CRI	85
Color Temp. (Kelvin)	2700 K [CCT 2700K]
Rated Luminous Flux	450 Lm

• Electrical Characteristics

Wattage	8 W
Wattage Technical	8 W
Voltage	120 V
Line Frequency	60 Hz
Power Factor	0.9 -
Lamp Current mA	78 mA

Dimmable	Yes
Wattage Equivalent	50 W

• Measuring Conditions

Switching cycle	20000x
-----------------	--------

• Product Dimensions

Overall Length C	81 mm
Overall Length C [inch]	3.189 (max) in
Diameter D	63 mm

• Product Data

Product number	426122
Full product name	8PAR20/END/F25 2700 DIM 6/1
Short product name	8PAR20/END/F25 2700 DIM 6/1
Pieces per Sku	1
eop_pck_cfg	6
Skus/Case	6
Bar code on pack	46677426125
Bar code on case	50046677426120
Logistics code(s)	929000233001
eop_net_weight_pp	0.117 kg

Warnings and Safety

- Suitable for use in damp locations.

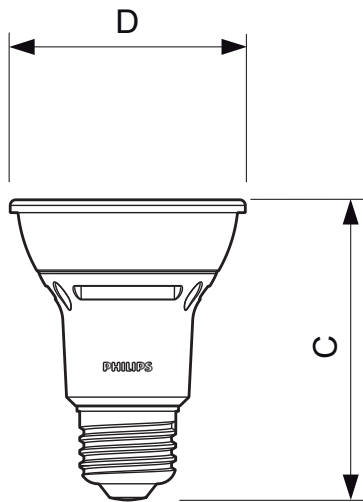
- Not for use in totally enclosed luminaires.
- Before replacing, turn off power and let lamp cool to avoid electrical shock or burn.



PHILIPS

PAR20 Dimmable LED Lamps with AirFlux Technology

Dimensional drawing



E26

8PAR20/END/F25 2700 DIM 6/1

Product	C (Norm)	C1 (Max)	D (Norm)	D1 (Norm)
LED 8W E26 2700K 120V PAR20 25D	81	3.189	63	2.48



© 2013 Koninklijke Philips N.V. (Royal Philips)
All rights reserved.

Specifications are subject to change without notice. Trademarks are the property of Koninklijke Philips N.V. (Royal Philips) or their respective owners.

www.philips.com/lighting

2013, June 20
data subject to change