

**DESCRIPTION**

The H1499T75 is a small aperture low voltage housing for providing accent and task lighting with up to 75W 12V MR16 lamps. The H1499T75 is designed for use in non-insulated ceiling or for insulated ceilings but insulation MUST be kept 3" from all sides of the housing.

<b>Catalog #</b>		<b>Type</b>	
<b>Project</b>			
<b>Comments</b>		<b>Date</b>	
<b>Prepared by</b>			

**DESIGN FEATURES**

**A...Housing**

Die-stamped 20 gauge CRS with white powder coat finish.

**B...Plaster Frame**

Housing is secured in plaster frame with spring barbs and can be adjusted in the plaster frame to adjust for different ceiling materials. The housing can be removed from the plaster frame to provide access to the junction box. Galvanized steel construction.

Plaster frame features include:

- Regressed locking screw for securing hanger bars
- Cutouts for easily crimping hanger bars in position
- Halo name embossed on plaster frame

**C...Junction Box**

- Listed for through branch circuit wiring
- Positioned to accommodate straight conduit runs
- Seven 1/2" trade size conduit knockouts with true pry-out slots
- Slide-N-Side™ wire traps allow non-metallic sheathed cable to be installed without tools and

without removing knockouts. Accepts a wider range of non-metallic sheathed cable – the standard cable types used in lighting for both U.S. and Canada.

- Allows wiring connections to be made outside the junction box
- Simply insert the cable directly into the trap after connections are made
- accommodates the following standard non-metallic sheathed cable types:  
(US) #14/2, #14/3, #12/2, #12/3  
(Canada) #14/2, #14/3, #12/2

**D...GOT NAIL! Pass-N-Thru™ Bar Hangers**

Bar Hanger Features include:

- Pre-installed nail easily installs in regular lumber, engineered lumber and laminated beams
- Safety and guidance system prevents snagging, ensures smooth straight nail penetration and allows bar hangers to be easily removed if necessary.
- Automatic levelling flange aligns the housing and lets you hold the housing in place with

- one hand while driving nails
- Housing can be positioned at any point within 24" joist span
- Score lines allow "toolless" shortening for 12" joists
- Bar hangers may be repositioned 90°
- Bar hangers do not need to be removed from frame for shortening
- Integral T-bar clips snaps onto T-bars - no additional clips required

**E...Transformer**

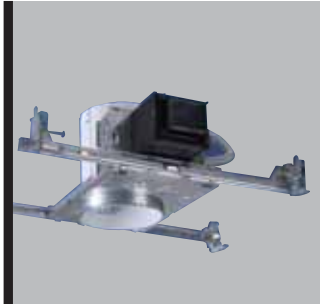
Integral 120V-277V dual tap magnetic transformer steps line voltage down to lamp operating voltage.

**F...Thermal Protector**

Self resetting thermal protector deactivates fixture if overheating occurs due to improper lamping or misapplied insulation.

**Labels**

- UL/cUL Listed for Damp Location
- UL/cUL listed for Feed Through
- IP Rated



**H1499T75**

4" Non-Insulated Ceiling Low Voltage Recessed Housing

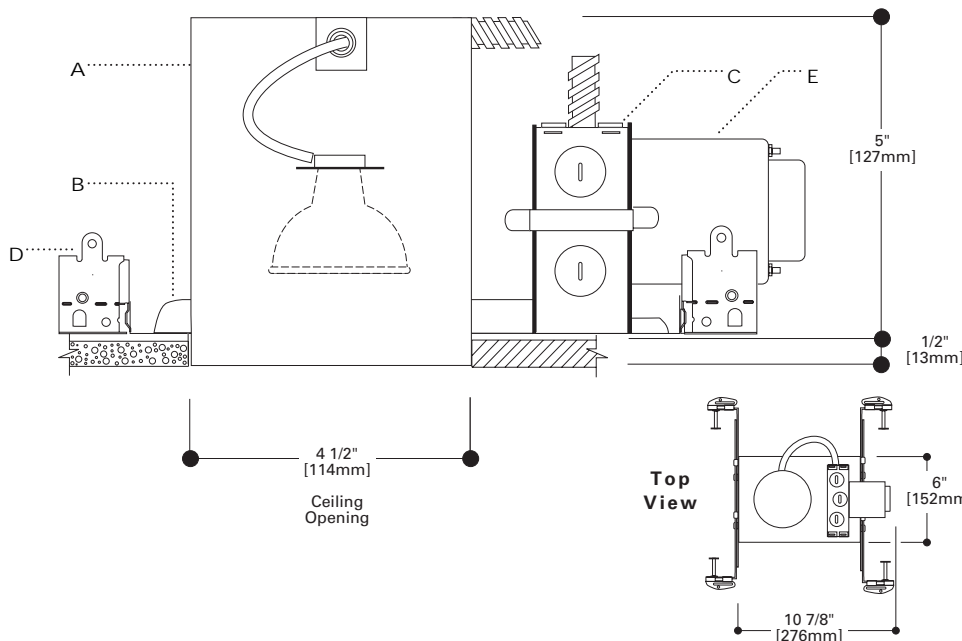
**4" TRIMS**

**FOR USE IN NON-INSULATED CEILINGS OR INSULATED CEILINGS WHERE INSULATION CAN BE KEPT 3" FROM ALL SIDES OF FIXTURE**



**UPGRADE FEATURES:**

- GOT NAIL!™ BAR HANGERS
- PASS-N-THRU™ BAR HANGERS
- REGRESSED LOCKING SCREW
- HALO ID ON PLASTER FRAME



TRIMS

ORDERING INFORMATION

SAMPLE NUMBER: H1499T75-1421RG

Order housing, trim and accessories separately.

Housing

H1499T75=4" Non-Insulated Ceiling Low Voltage Small Aperture Housing

Trims

REFLECTORS



1421

Specular Reflector Cone - 35° Tilt

75W 12V MR16

1421C=Specular Clear Reflector with White Trim Ring

1421AC=Antique Copper Reflector with Antique Copper Trim Ring

1421H=Haze Reflector with White Trim Ring

1421CG=Champagne Gold Reflector with White Trim Ring

1421RG=Residential Gold Reflector with White Trim Ring

1421MB=Specular Black Reflector with White Trim Ring

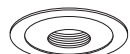
1421SL=Specular Clear Reflector with Silver Trim Ring

1421SN=Satin Nickel Reflector with Satin Nickel Trim Ring

1421TBZ=Tuscan Bronze Reflector, Tuscan Bronze Trim Ring

OD: 5 1/16" (129mm)

BAFFLES



1419

1 7/8" Open Coilex - 35° Tilt

75W 12V MR16

1419P=Black Baffle, White Trim Ring

1419AC=Black Baffle, Antique Copper Trim Ring

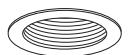
1419W=White Baffle, White Trim Ring

1419SL=Black Baffle, Silver Trim Ring

1419SN=Black Baffle, Satin Nickel Trim Ring

1419TBZ=Black Baffle, Tuscan Bronze Trim Ring

OD: 5 1/16" (129mm)



1493

Coilex Baffle - 35° Tilt

75W 12V MR16

1493P=Black Baffle, White Trim Ring

1493AC=Black Baffle, Antique Copper Trim Ring

1493BC=Black Baffle, Black Chrome Trim Ring

1493PB=Black Baffle, Polished Brass Trim Ring

1493W=White Baffle, White Trim Ring

1493SL=Black Baffle, Silver Trim Ring

1493SN=Black Baffle, Satin Nickel Trim Ring

1493TBZ=Black Baffle, Tuscan Bronze Trim Ring

OD: 5 1/16" (129mm)



1453

Metal Baffle - 35° Tilt

75W 12V MR16

1453AC=Antique Copper Baffle, Antique Copper Trim Ring

1453SN=Satin Nickel Baffle, Satin Nickel Trim Ring

1453TBZ=Tuscan Bronze Baffle, Tuscan Bronze Trim Ring

OD: 5 1/16" (129mm)

ADJUSTABLES



1420

Slot Aperture - 35° Tilt (Slot - 1 3/8" X 2 1/4")

75W 12V MR16

1420P=White

1420AC=Antique Copper

1420SL=Silver

1420SN=Satin Nickel

1420TBZ=Tuscan Bronze

OD: 5 1/16" (129mm)



1498

Eyeball - 30° Tilt

75W 12V MR16

1498P=White Eyeball, Black Baffle

1498AC=Antique Copper Eyeball, Black Baffle

1498PB=Polished Brass Eyeball, Black Baffle

1498W=White Eyeball, White Baffle

1498SL=Silver Eyeball, Black Baffle

1498SN=Satin Nickel Eyeball, Black Baffle

1498SN=Tuscan Bronze Eyeball, Black Baffle

OD: 5 1/16" (129mm)



1495

Gimbal Adjustable - 30° Tilt

75W 12V MR16

1495P=Satin White

1495AC=Antique Copper

1495SL=Silver

1495SN=Satin Nickel

1495TBZ=Tuscan Bronze

OD: 5 1/16" (129mm)



1496

Retractable Elbow Super Adjustable - 60° Tilt

75W 12V MR16

1496P=Satin White Eyeball and Trim Ring

1496AC=Antique Copper Eyeball and Trim Ring

1496SL=Silver Eyeball and Trim Ring

1496SN=Satin Nickel Eyeball and Trim Ring

1496TBZ=Tuscan Bronze Eyeball and Trim Ring

OD: 5 1/16" (129mm)

Accessories



1497

Accent Wall Wash Mirror

Trim -90° Tilt

50W 12V MR16

1497P=Satin White

OD: 5 1/16" (129mm)

Accessories

Filters and Lenses

The following filters and lenses can be substituted for the cover glass supplied for use with MR16 lamps.

Color Filters

L112=Red Gel Filter

L114=Ultraviolet Dichroic Filter

L120=Red Dichroic Filter

L121=Amber Dichroic Filter

L122=Yellow Dichroic Filter

L123=Green Dichroic Filter

L124=Daylight Blue Dichroic Filter

L125=Blue Dichroic Filter

L127=Cosmetic (2700°K) Dichroic Filter

L130=Yellow Gel Filter

L131=Amber Gel Filter

Optical Lenses

L110N=Diffuse Sand Blasted Lens. Provides an even beam spread from MR16 lamps- especially useful in wall washing.

L111=Soft Focus Lens. Smooths irregular beam pattern while maintaining high controlled illumination levels and beam angles.

L113=Prismatic Spread Lens. Provides a symmetrical broadening of MR16 lamp beams.

L115=Fans the MR16 beam to produce a wide rectangular illumination pattern.

Note: Specifications and Dimensions subject to change without notice.

Visit our web site at [www.cooperlighting.com](http://www.cooperlighting.com)